

Sanitary Systems

**Roth Cariba CI D2L / CI D2R**

**Roth**

**Assembling Instruction**  
**Montageanleitung**  
**Notice de montage**  
**Montážní návod**

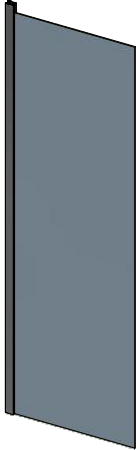
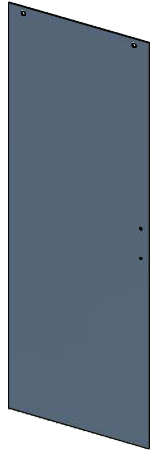

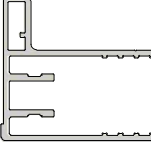

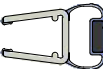

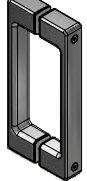


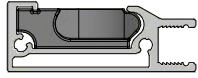


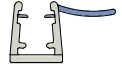

*Shower for life*



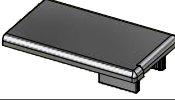












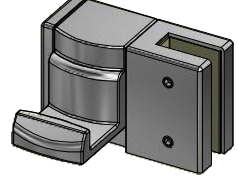
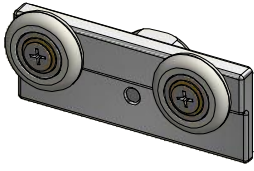
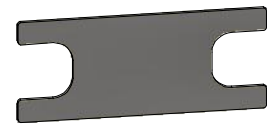
# CI D2L VPE

# 9.RAIL, STOPS, SEALS

POS.	PREVIEW	PCS	SPARE PART
1.		1	V300
2.		1	V301
3.		2	P5941
4.		1	P5883
5.		1	M9756
6.		1	P6130
7.		2	P6127
8.		1	MA9198
9.	RAIL, STOPS, SEALS	1	P314
10.	ACCESSORIES	1	P6143

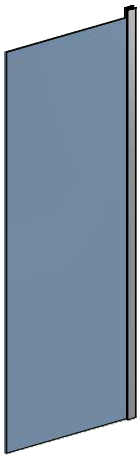
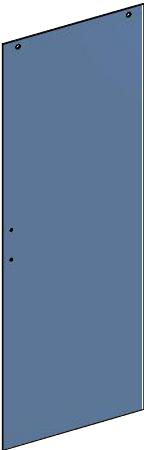

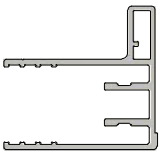

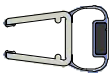


POS.	PREVIEW	PCS	SPARE PART
9.1		1	RAIL+STOPS
9.2		1	
9.3		1	
9.4		1	P6121
9.5		1	P6133

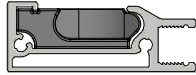
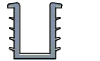

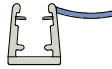

## 10. P6143

POS.	PREVIEW
10.1	1xL + 1xR  
10.2	2x  
10.3	6x ST3,9 
10.4	6x ST3,5 
10.5	6x 
10.6	6x 
10.7	6x 
10.8	6x 
10.9	
10.10	
10.11	3x 
10.12	MB1120 
10.13	2x MB1157 
10.14	

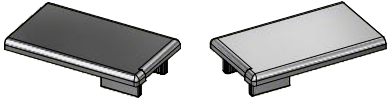
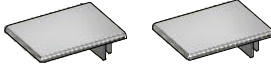









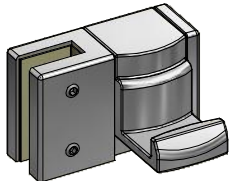
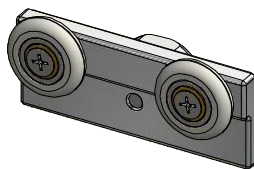
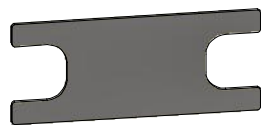
# CI D2R VPE

# 9.RAIL, STOPS, SEALS

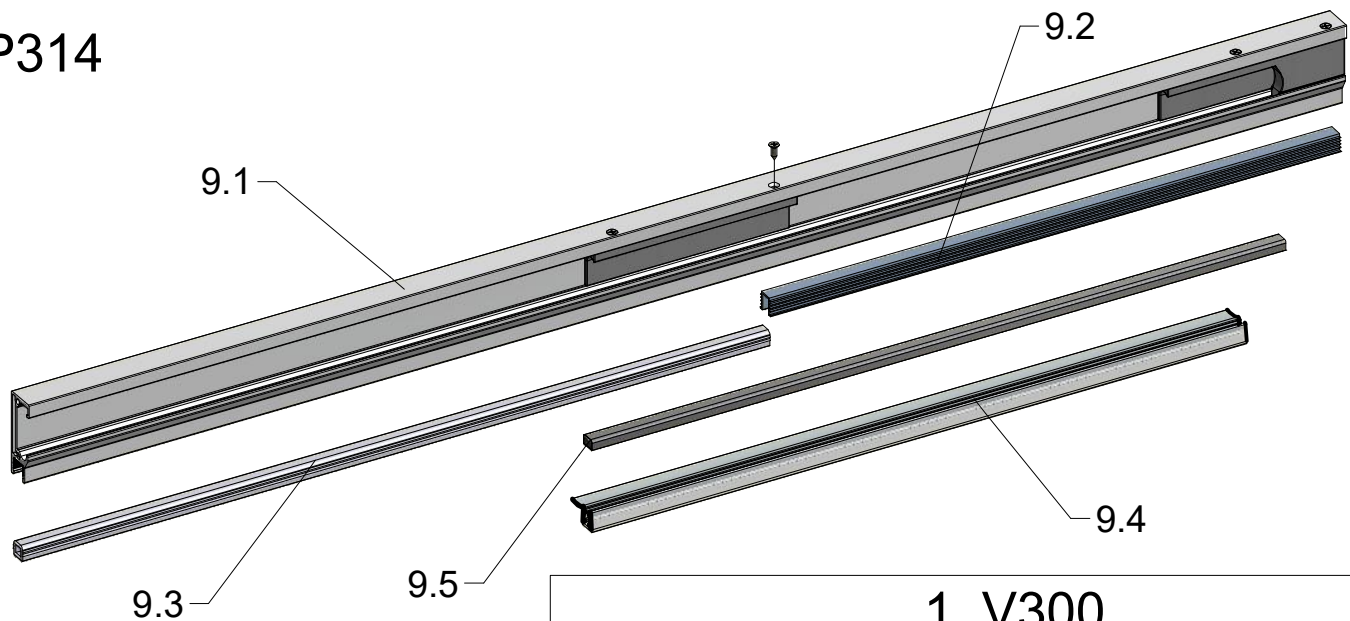
POS.	PREVIEW	PCS	SPARE PART
1.		1	V300
2.		1	V301
3.		2	P5941
4.		1	P5882
5.		1	M9756
6.		1	P6130
7.		2	P6127
8.		1	MA9198
9.	RAIL, STOPS, SEALS	1	P314
10.	ACCESSORIES	1	P6144

POS.	PREVIEW	PCS	SPARE PART
9.1		1	RAIL+STOPS
9.2		1	
9.3		1	
9.4		1	P6121
9.5		1	P6133

## 10. P6144

POS.	PREVIEW
10.1	1xL + 1xR 
10.2	2x 
10.3	6x ST3,9 
10.4	6x ST3,5 
10.5	6x 
10.6	6x 
10.7	6x 
10.8	6x 
10.9	
10.10	
10.11	3x 
10.12	MB1119 
10.13	2x MB1157 
10.14	

# P314



## 9. P314

SIZE	PROFILE	SP. P.
D2L 1100	brillant	P6187
D2L 1150	brillant	P6190
D2L 1200	brillant	P6192
D2L 1250	brillant	P6194
D2L 1300	brillant	P6196
D2L 1350	brillant	P6198
D2L 1400	brillant	P6200
D2L 1450	brillant	P6202
D2L 1500	brillant	P6204
D2L 1550	brillant	P6206
D2L 1600	brillant	P6208
D2R 1100	brillant	P6189
D2R 1150	brillant	P6191
D2R 1200	brillant	P6193
D2R 1250	brillant	P6195
D2R 1300	brillant	P6197
D2R 1350	brillant	P6199
D2R 1400	brillant	P6201
D2R 1450	brillant	P6203
D2R 1500	brillant	P6205
D2R 1550	brillant	P6207
D2R 1600	brillant	P6209

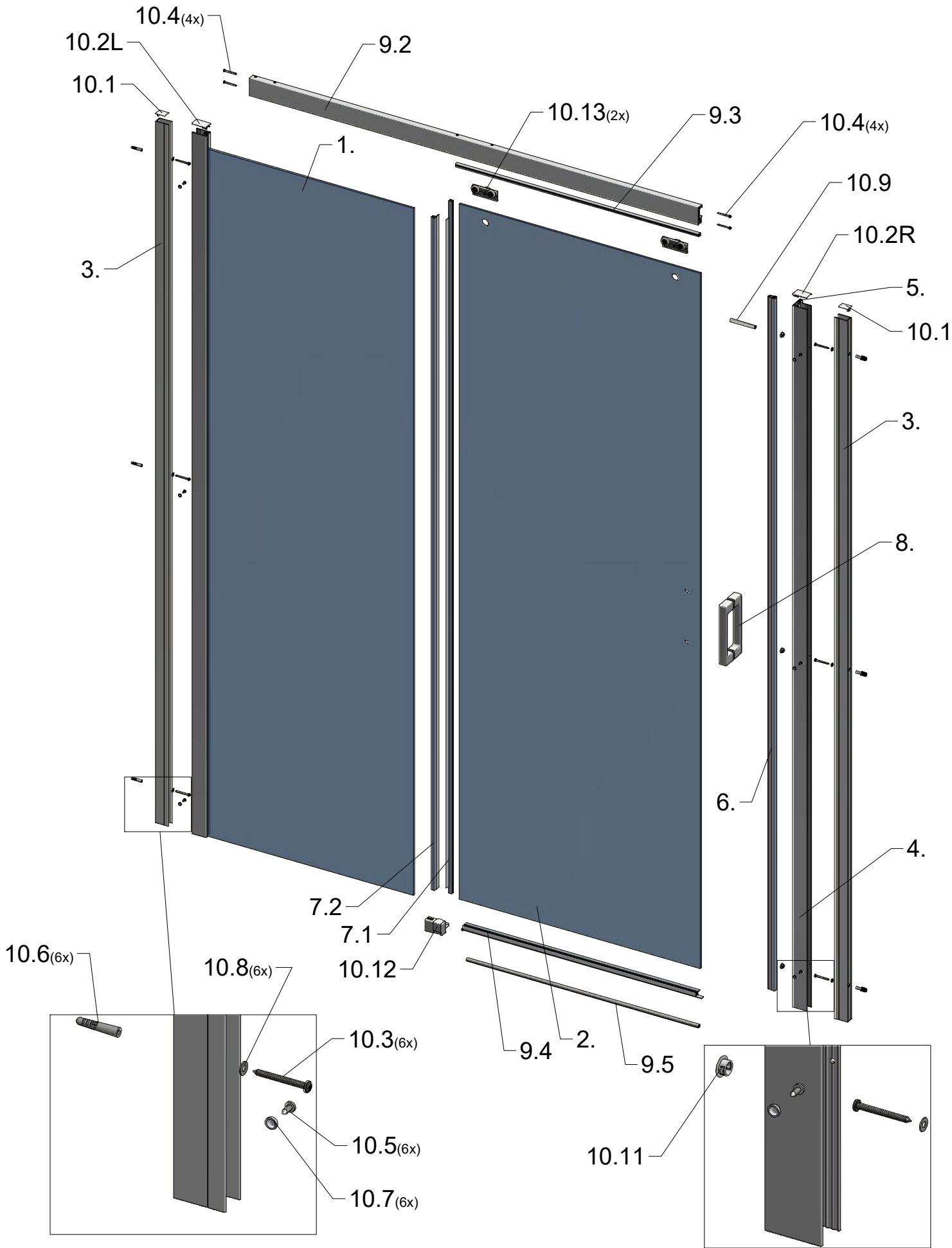
## 1. V300

SIZE	GLASS + PROFILE	SPARE PART
D2L 1100	clear glass+brillant	ND03-0939-00-02
D2L 1150	clear glass+brillant	ND03-0940-00-02
D2L 1200	clear glass+brillant	ND03-0911-00-02
D2L 1250	clear glass+brillant	ND03-0941-00-02
D2L 1300	clear glass+brillant	ND03-0942-00-02
D2L 1350	clear glass+brillant	ND03-0943-00-02
D2L 1400	clear glass+brillant	ND03-0912-00-02
D2L 1450	clear glass+brillant	ND03-0944-00-02
D2L 1500	clear glass+brillant	ND03-0945-00-02
D2L 1550	clear glass+brillant	ND03-0946-00-02
D2L 1600	clear glass+brillant	ND03-0913-00-02
D2R 1100	clear glass+brillant	ND03-0947-00-02
D2R 1150	clear glass+brillant	ND03-0948-00-02
D2R 1200	clear glass+brillant	ND03-0914-00-02
D2R 1250	clear glass+brillant	ND03-0949-00-02
D2R 1300	clear glass+brillant	ND03-0950-00-02
D2R 1350	clear glass+brillant	ND03-0951-00-02
D2R 1400	clear glass+brillant	ND03-0915-00-02
D2R 1450	clear glass+brillant	ND03-0952-00-02
D2R 1500	clear glass+brillant	ND03-0953-00-02
D2R 1550	clear glass+brillant	ND03-0954-00-02
D2R 1600	clear glass+brillant	ND03-0916-00-02

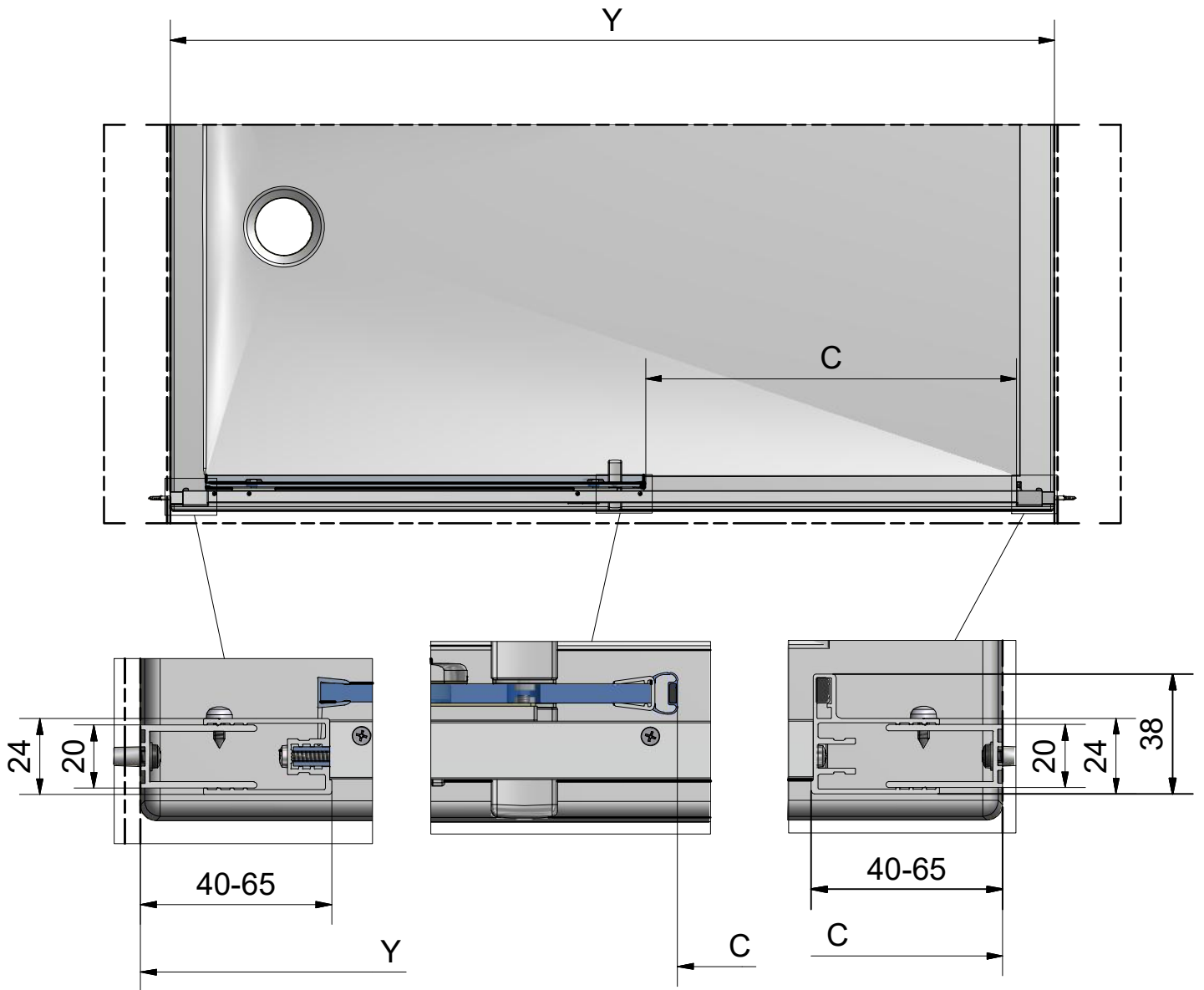
## 2. V301

SIZE	GLASS	SPARE PART
1100	clear glass	ND02-0936-02
1150	clear glass	ND02-0937-02
1200	clear glass	ND02-0911-02
1250	clear glass	ND02-0938-02
1300	clear glass	ND02-0939-02
1350	clear glass	ND02-0940-02
1400	clear glass	ND02-0912-02
1450	clear glass	ND02-0941-02
1500	clear glass	ND02-0942-02
1550	clear glass	ND02-0943-02
1600	clear glass	ND02-0913-02

# CI D2L / CI D2R



# CI D2L / CI D2R

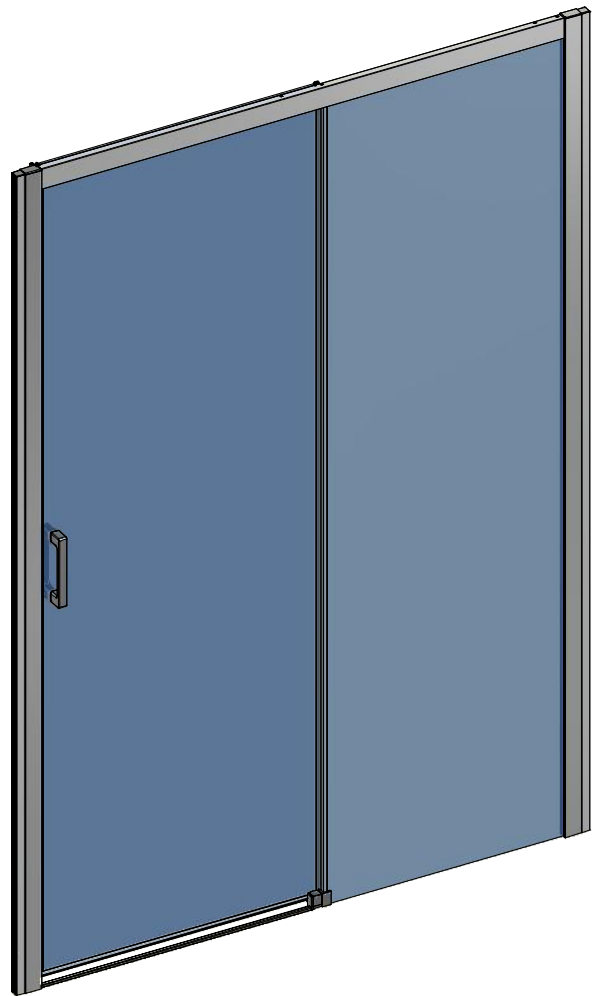


CI D2L/CI D2R		
TYPE	C (mm)	Y (mm)
1100	435	1060-1110
1150	460	1110-1160
1200	485	1160-1210
1250	510	1210-1260
1300	535	1260-1310
1350	560	1310-1360
1400	585	1360-1410
1450	610	1410-1460
1500	635	1460-1510
1550	660	1510-1560
1600	685	1560-1610

Next step in instructions is for left installation  
(for right installation - proceed in a mirror image)

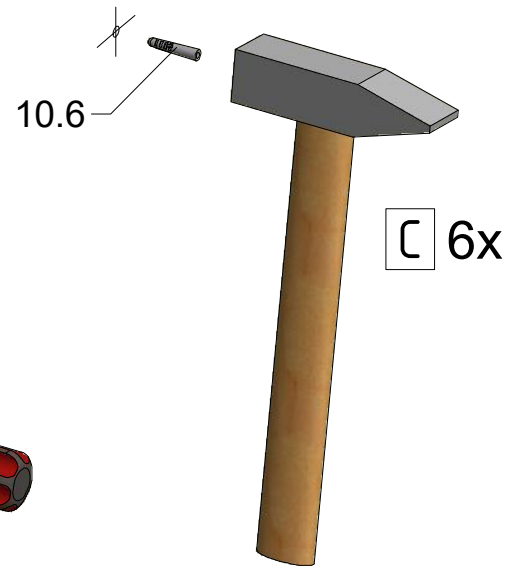
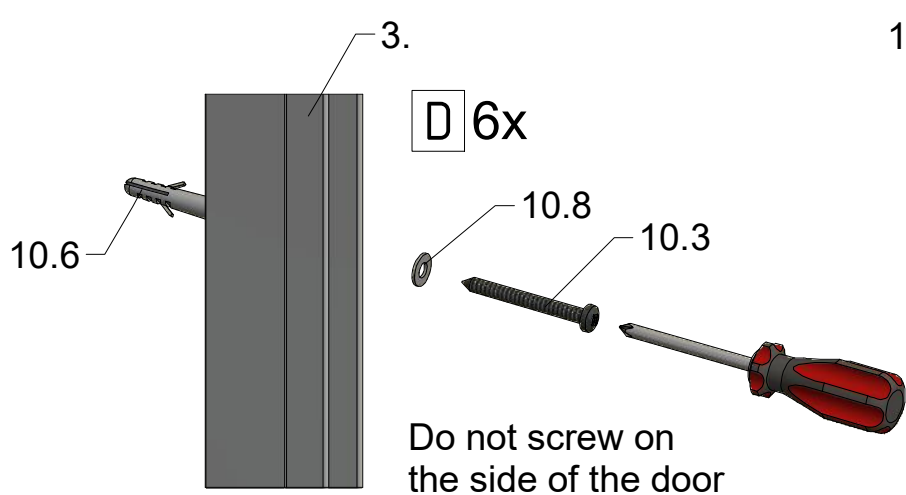
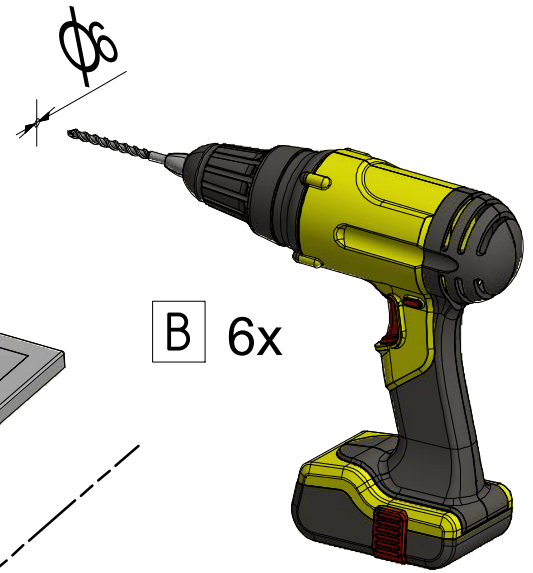
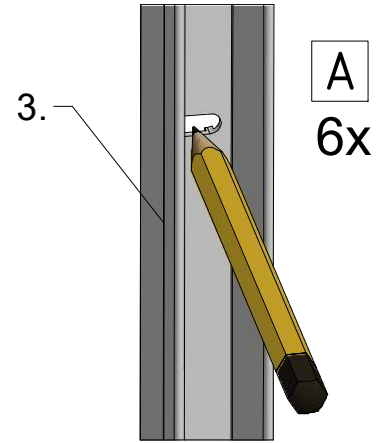
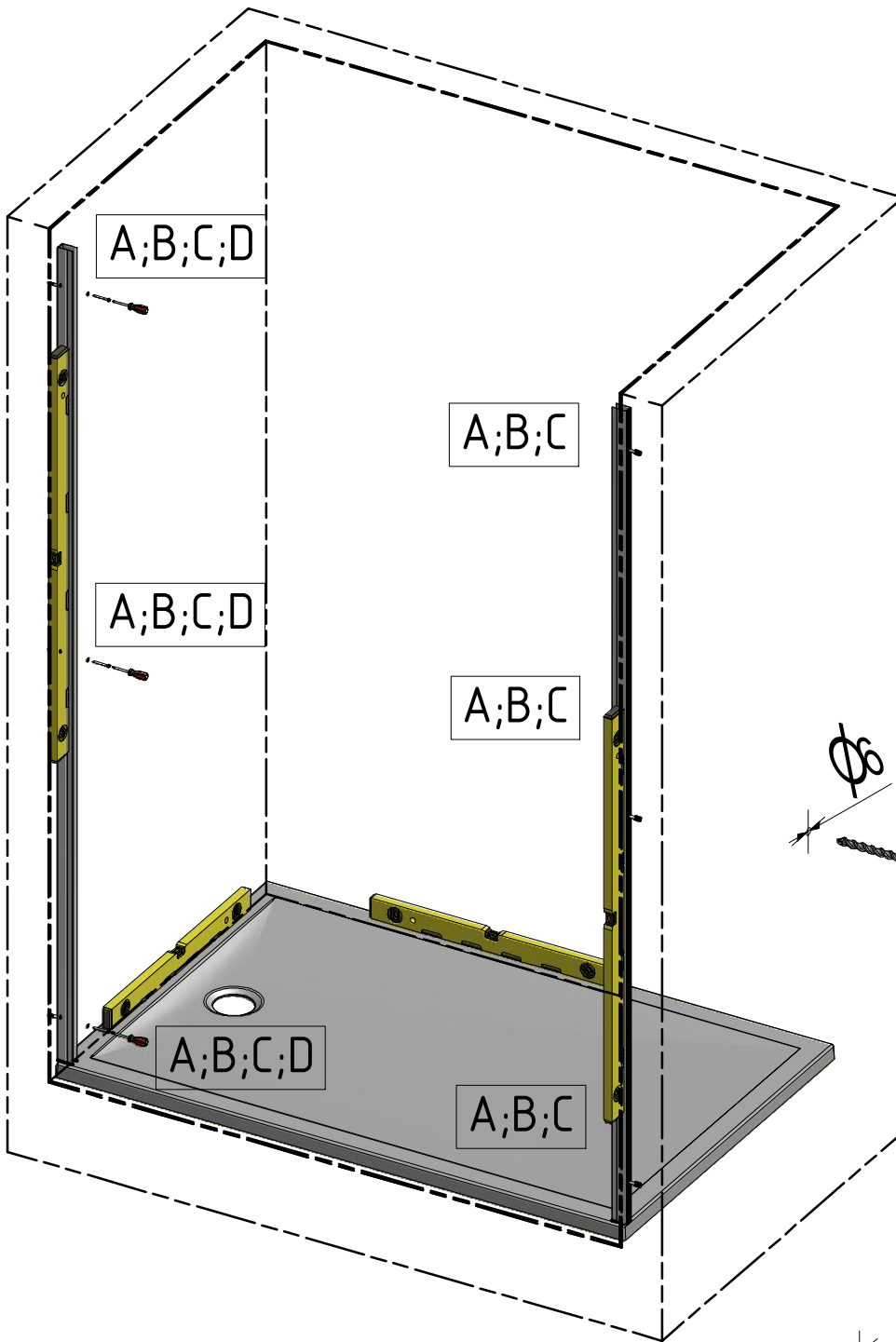
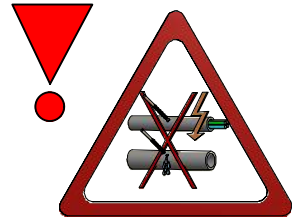


**LEFT Installation**

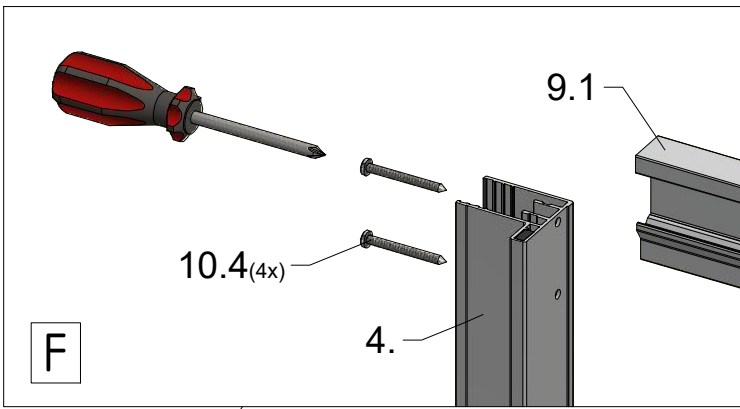
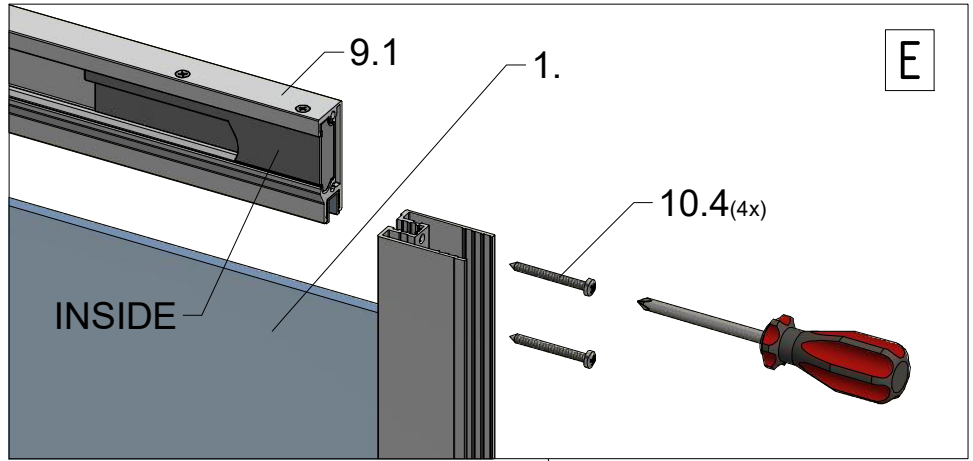
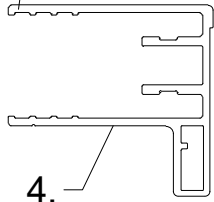


**RIGHT Installation**

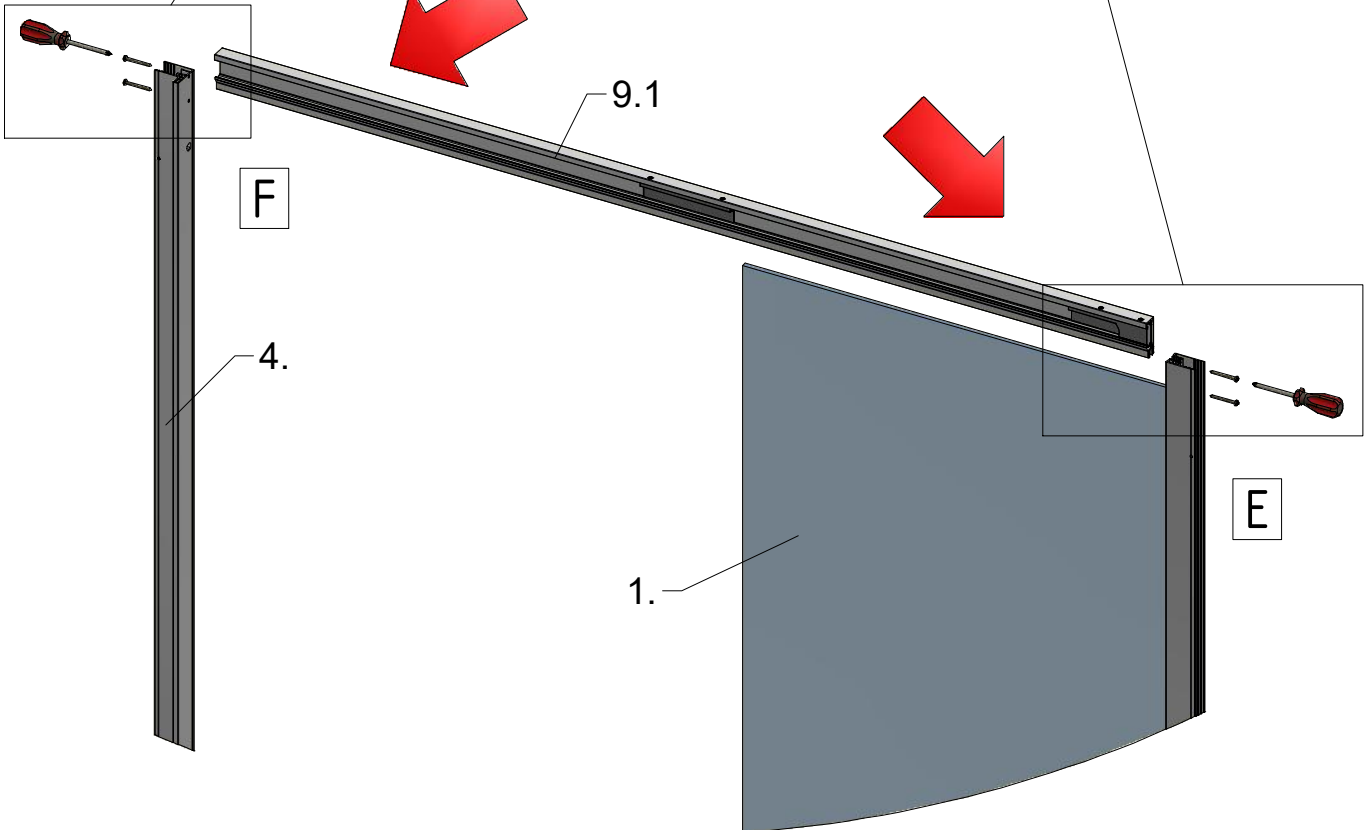
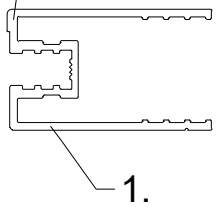


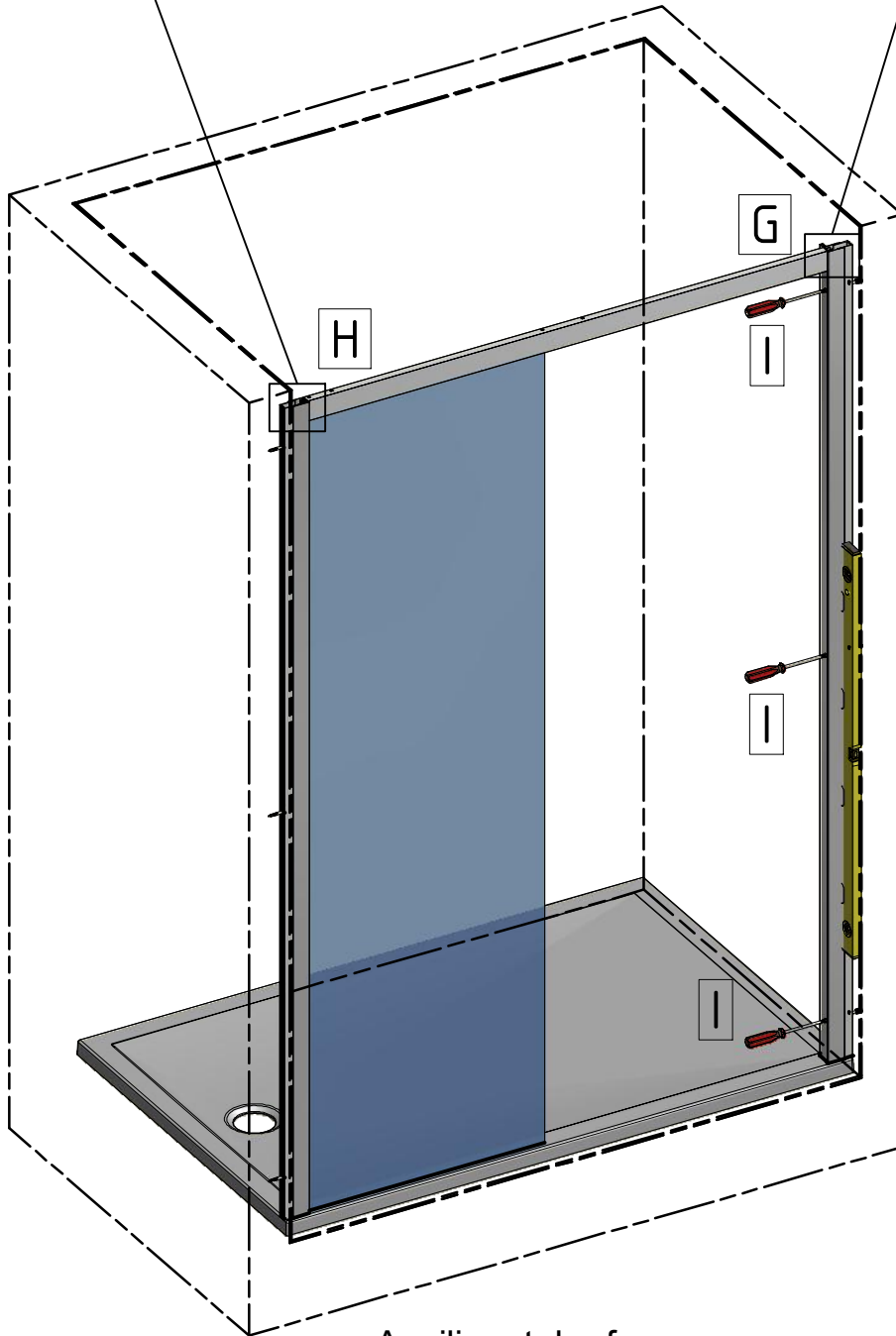
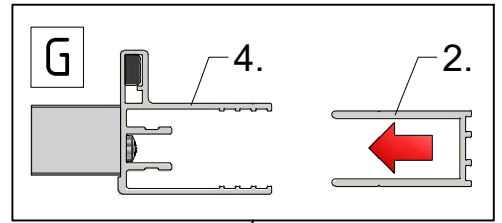
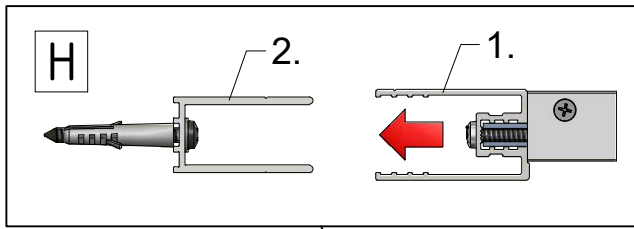


OUTSIDE

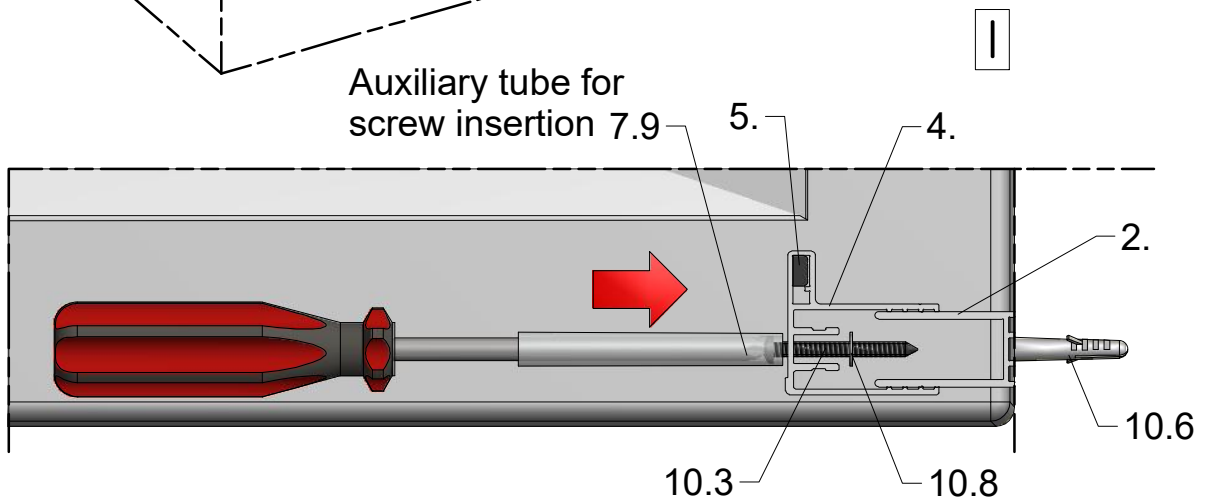


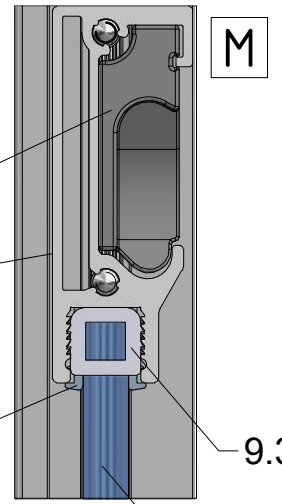
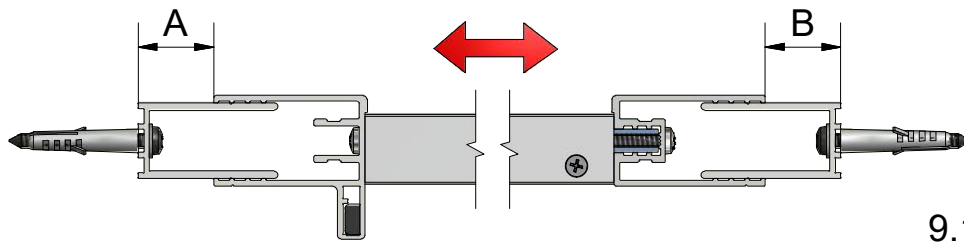
OUTSIDE



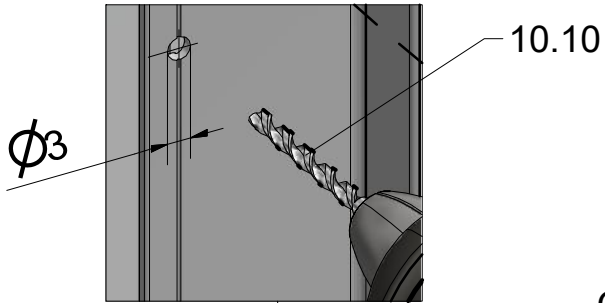


Auxiliary tube for  
screw insertion 7.9





J 6x



OUTSIDE

9.2 (USE ON GLASS)

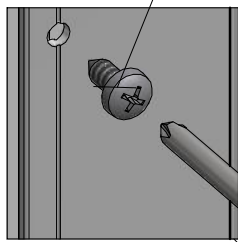
1.

Center A=B

J;K;L

J;K;L

K 6x



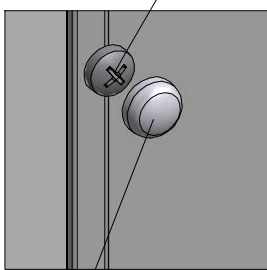
M

J;K;L

J;K;L

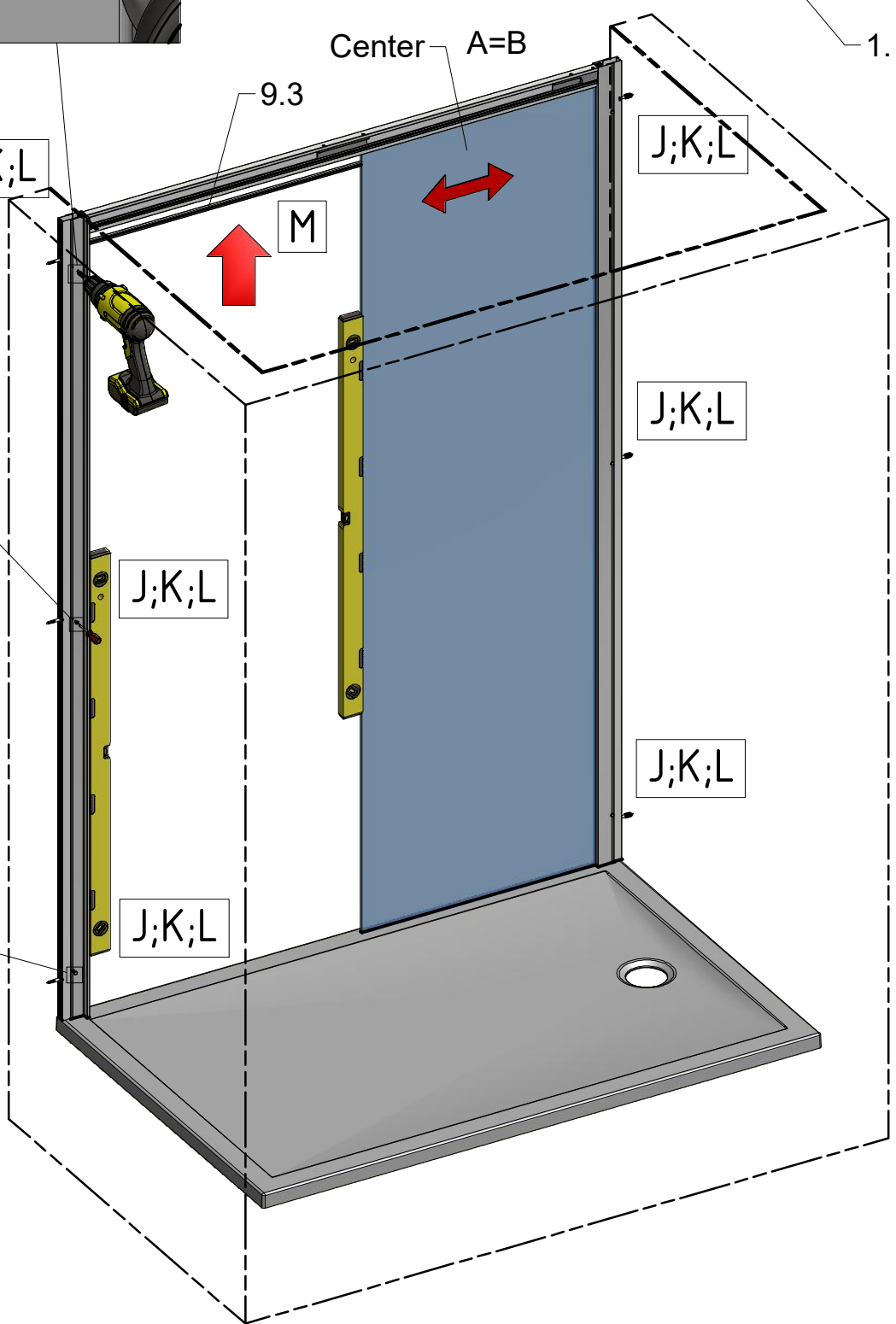
J;K;L

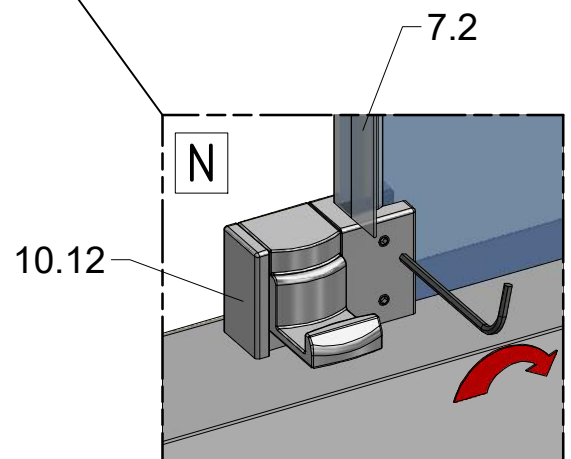
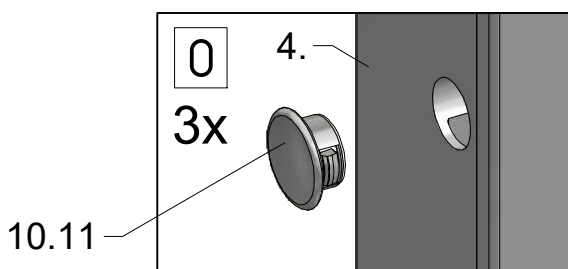
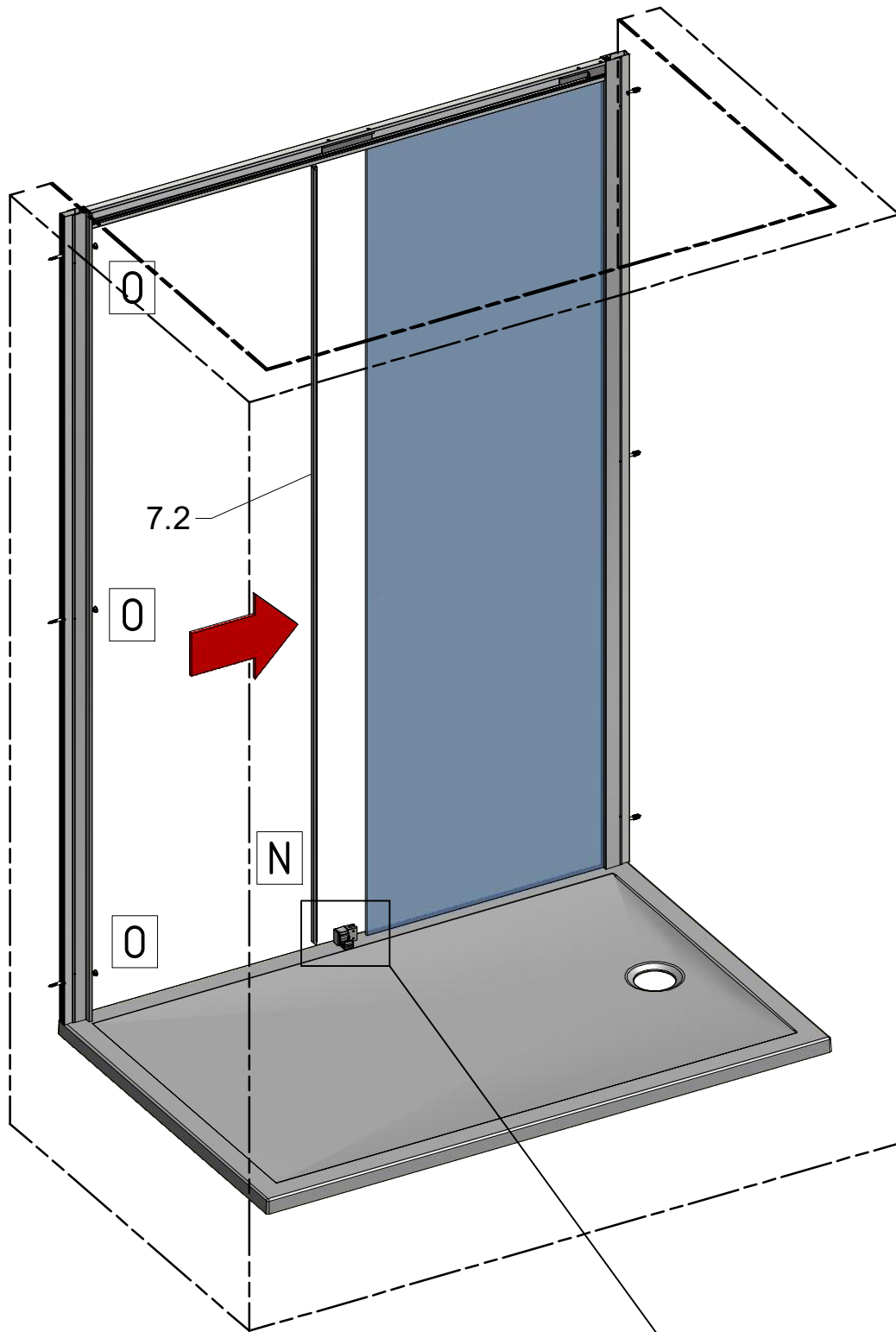
L 6x

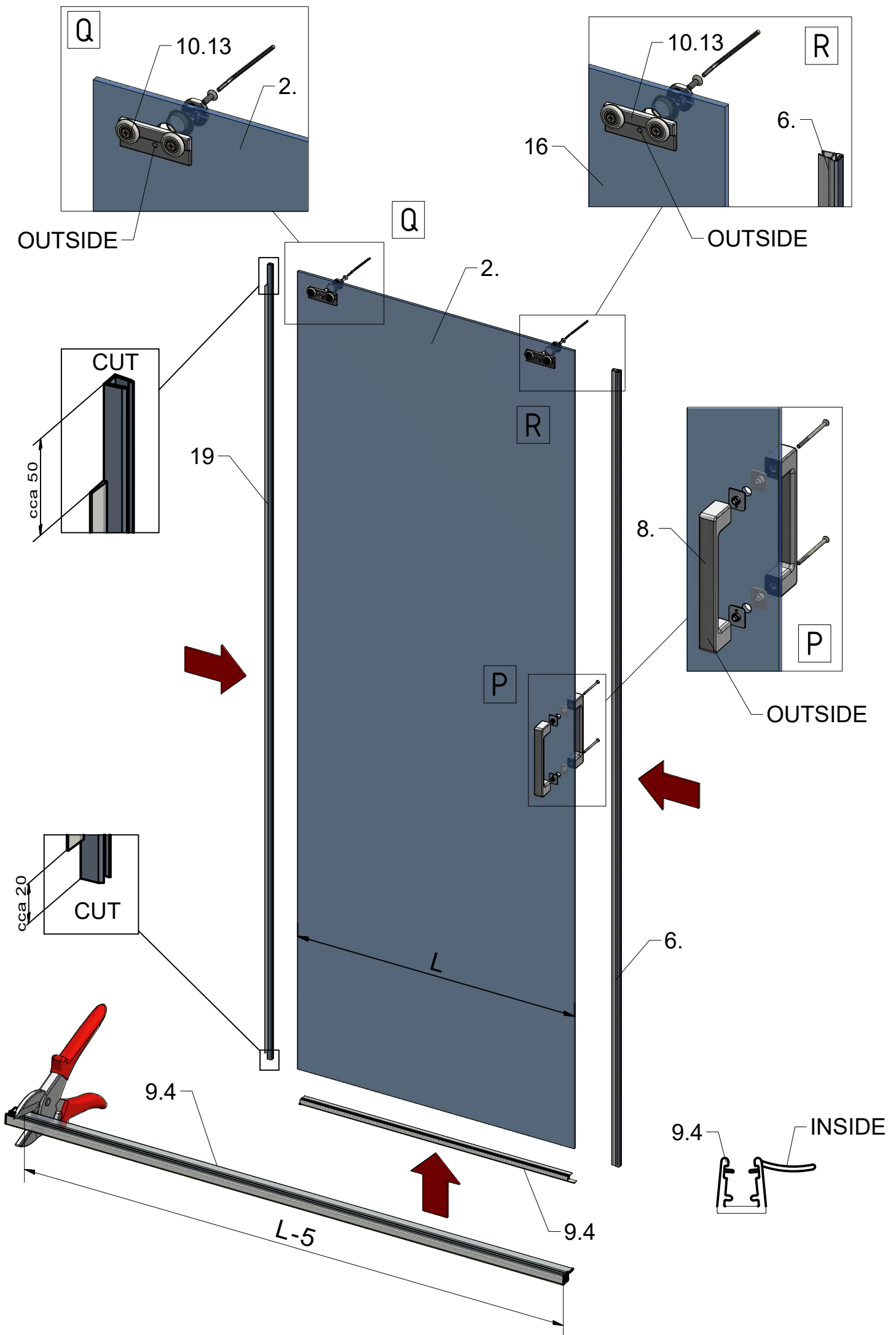


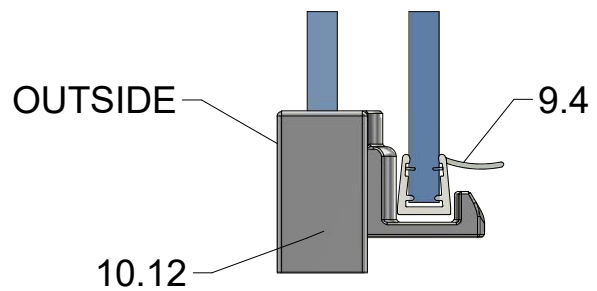
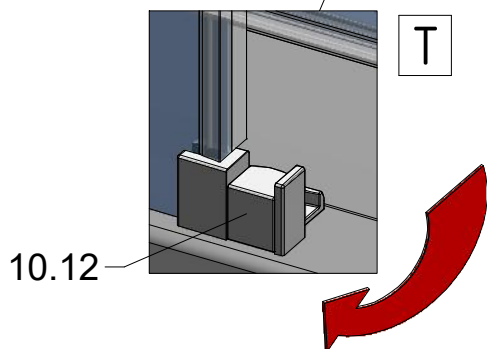
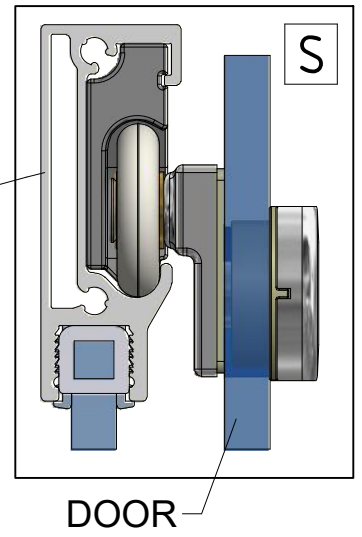
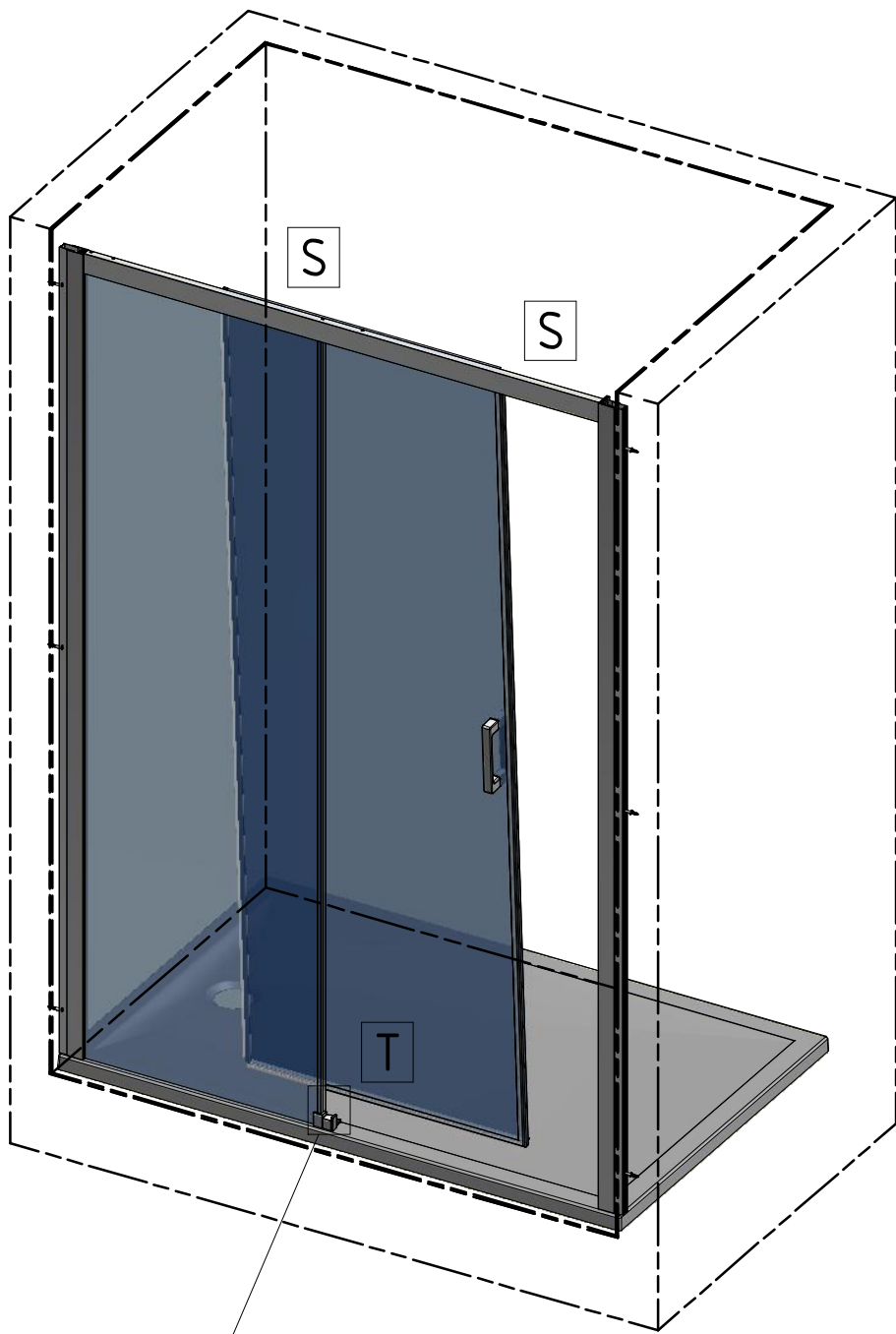
J;K;L

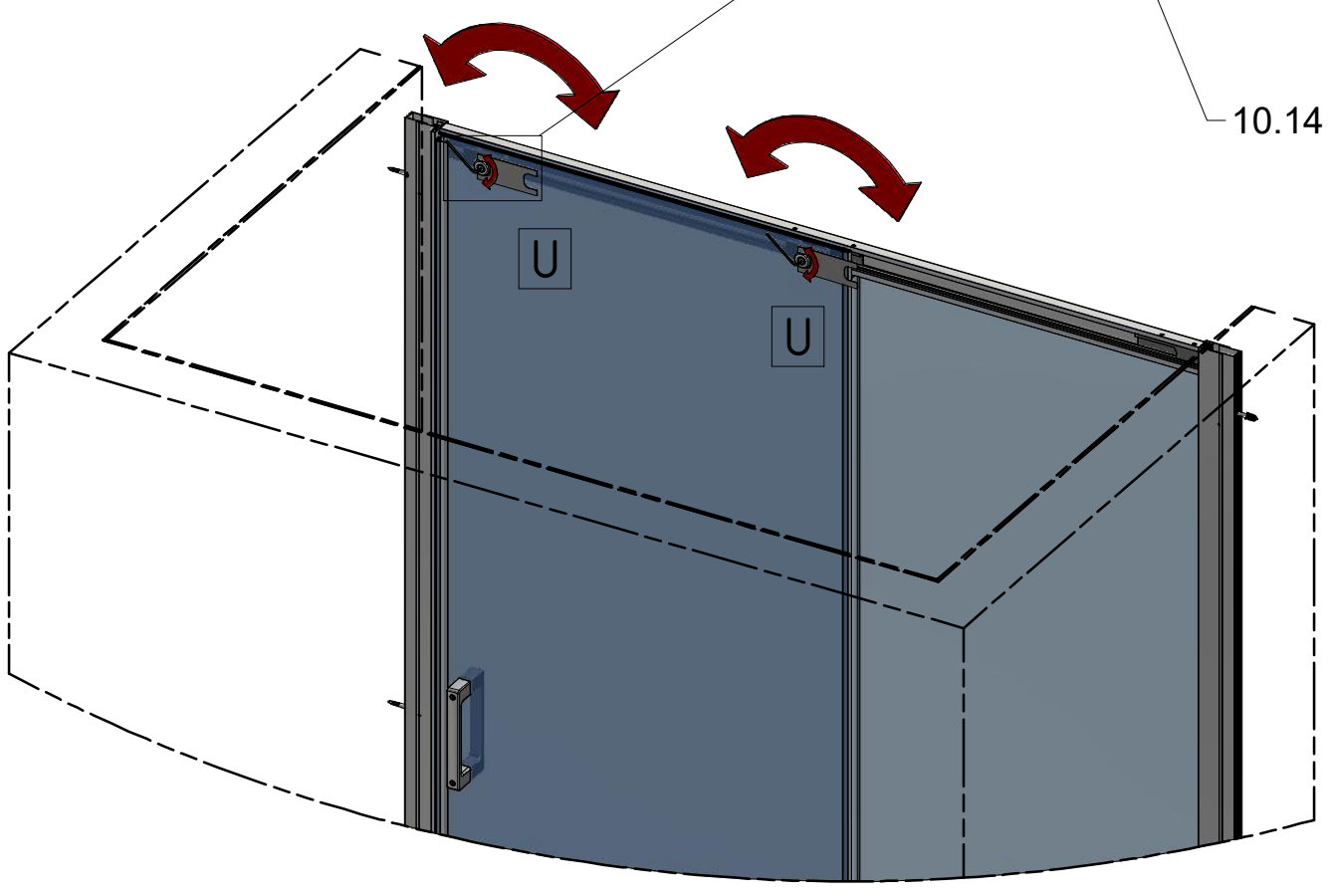
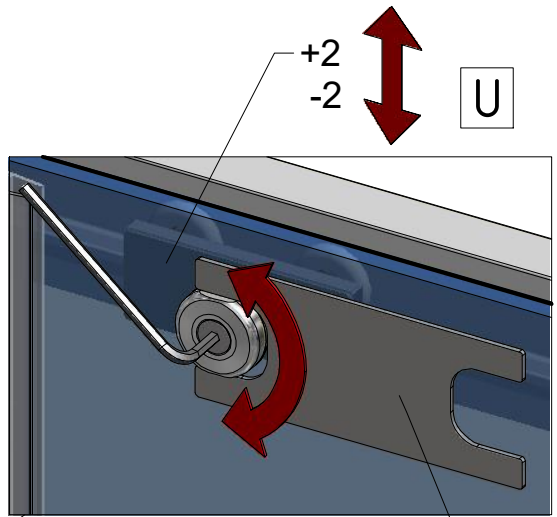
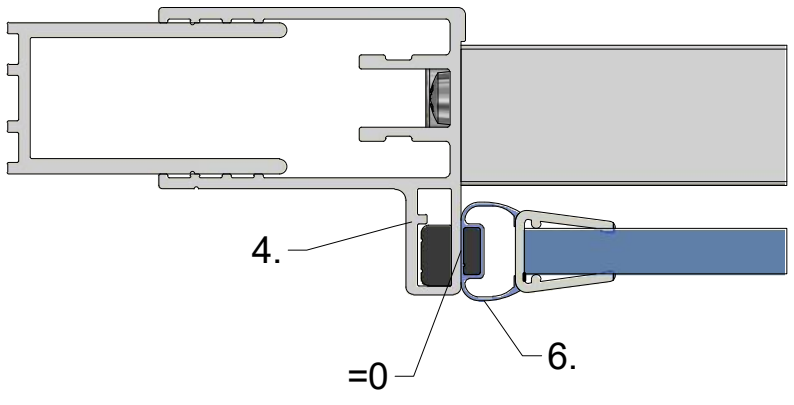
10.7



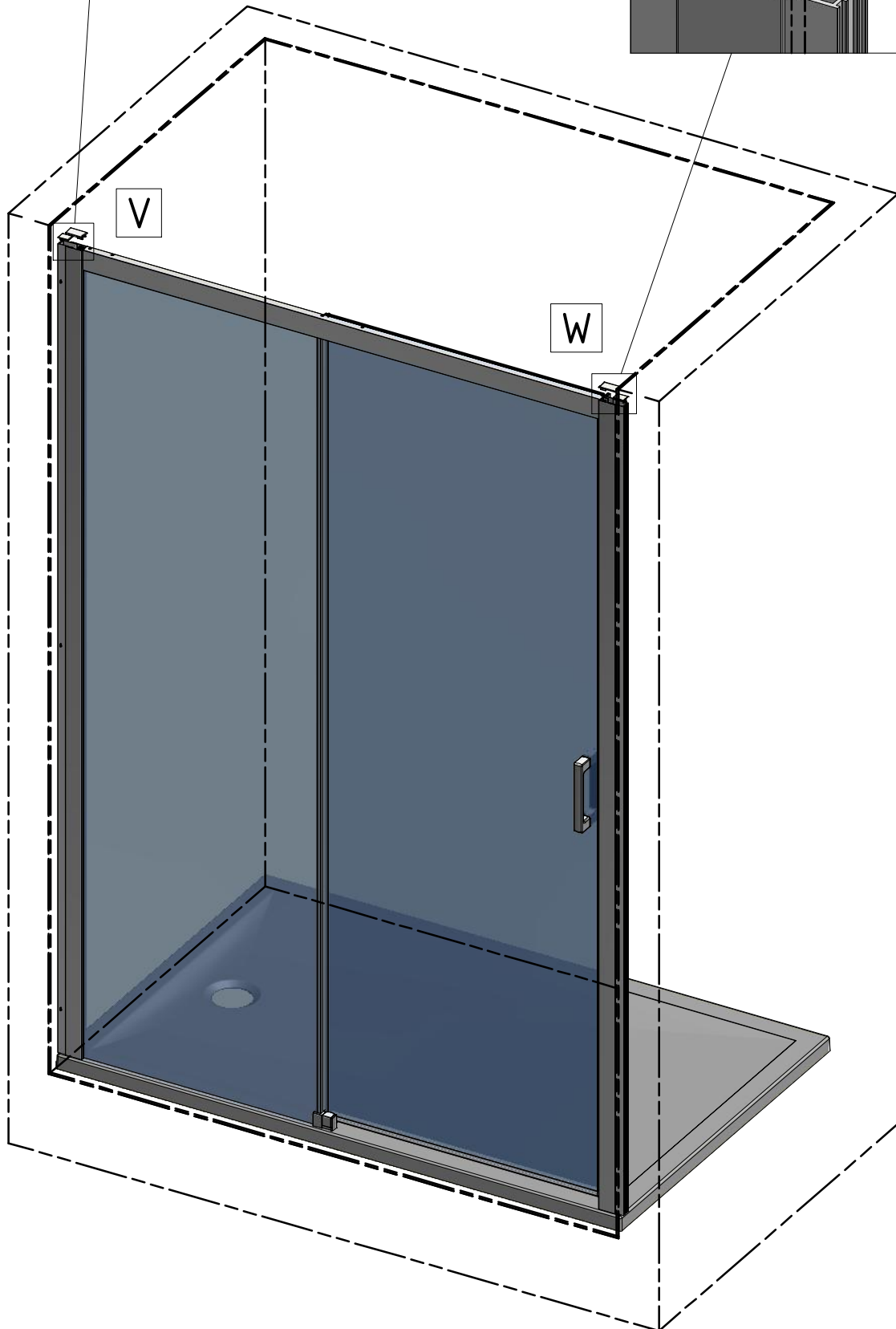
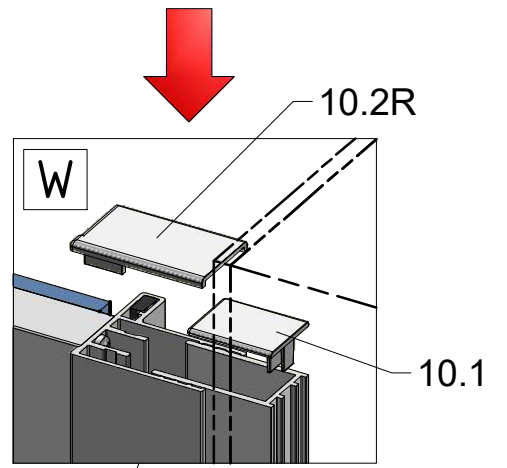
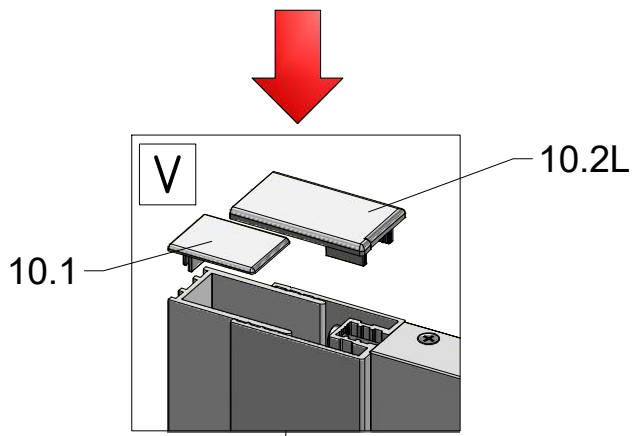


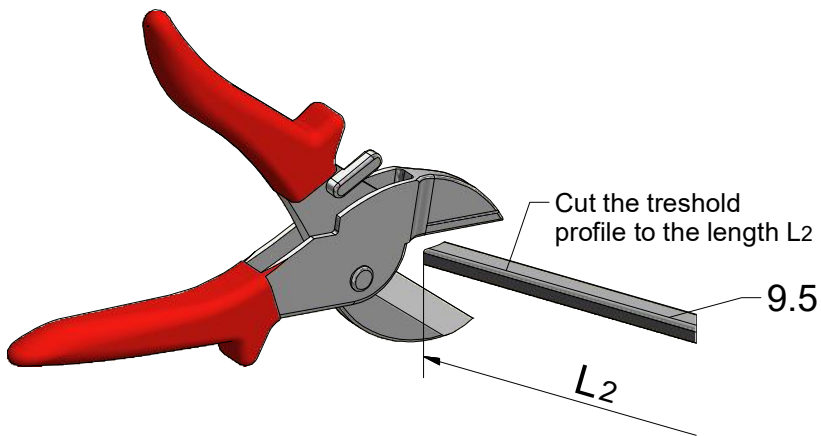
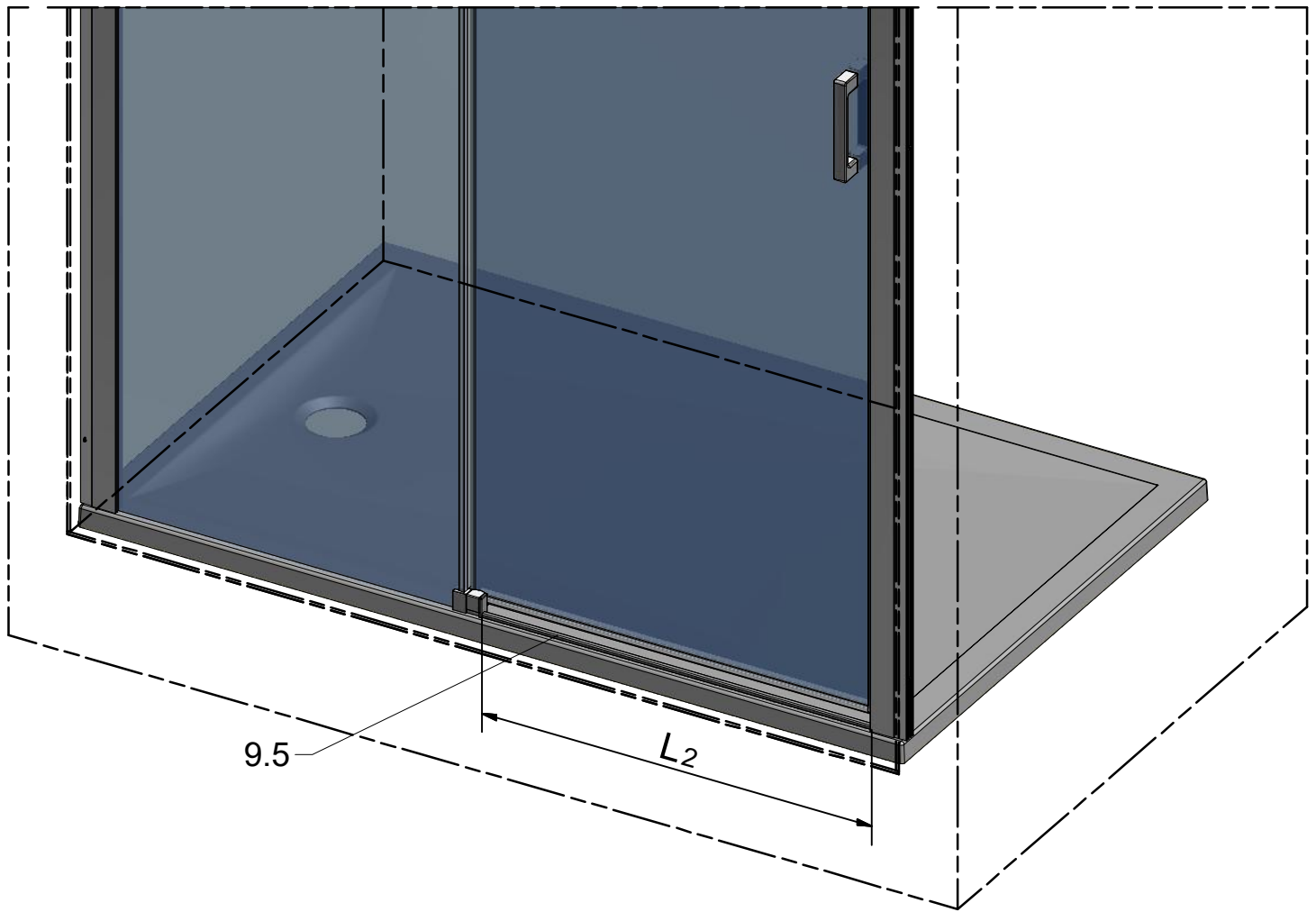




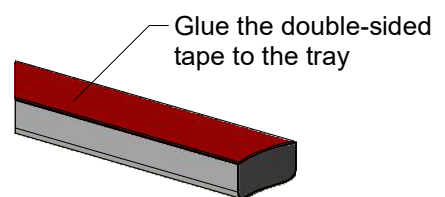






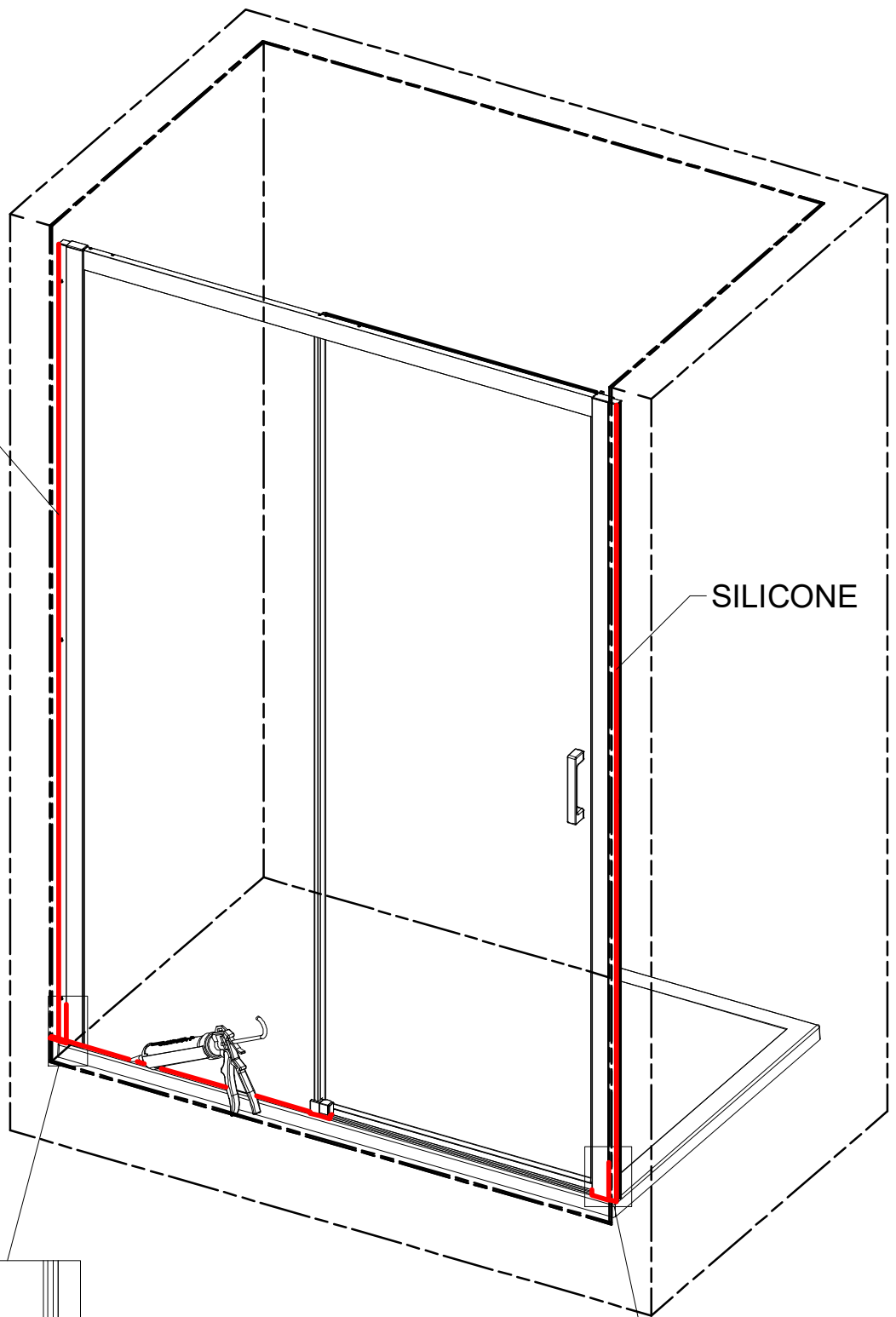


W

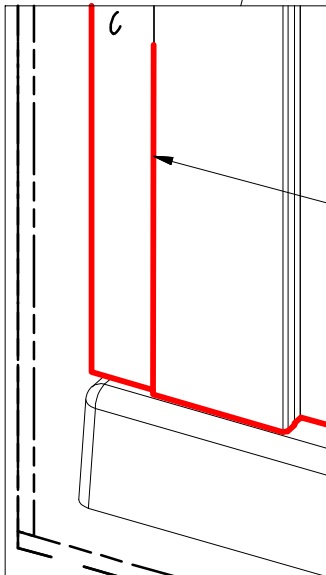




SILICONE

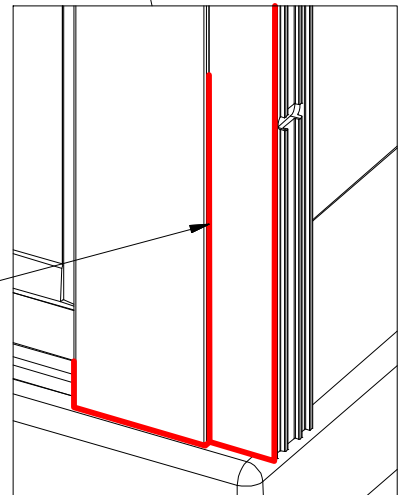


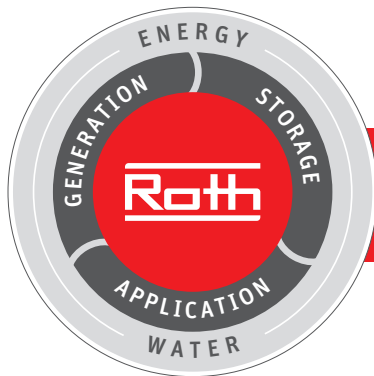
SILICONE



SILICONE  
MIN 100mm

SILICONE  
MIN 100mm





## Roth Energy and Sanitary Systems

### Generation

- Solar systems <
- Heat pump systems <

### Storage

- Storage systems for Domestic & heating water <
- Combustibles and biofuels <
- Rainwater and waste water <

### Application

- > Radiant heating and cooling systems
- > Pipe installation systems
- > Shower system

# Roth

#### ■ Deutschland

##### **ROTH WERKE GMBH**

Am Seerain 2  
35232 Dautphetal  
Telefon: 06466/922-0  
Telefax: 06466/922-100  
E-Mail: [service@roth-werke.de](mailto:service@roth-werke.de)  
[www.roth-werke.de](http://www.roth-werke.de)

#### ■ Czech Republic

##### **Roth Czech s.r.o.**

Třebořov 160  
569 33 Třebořov  
Tel.: +420 461 353 611  
E-Mail: [objednavky@roth-czech.cz](mailto:objednavky@roth-czech.cz)  
[www.roth-czech.cz](http://www.roth-czech.cz)

#### ■ France

##### **ROTH FRANCE**

CS 20090  
78, rue Ampère - ZI  
77465 Lagny sur Marne Cedex  
Tél.: +420 461 353 611  
[www.roth-france.fr](http://www.roth-france.fr)