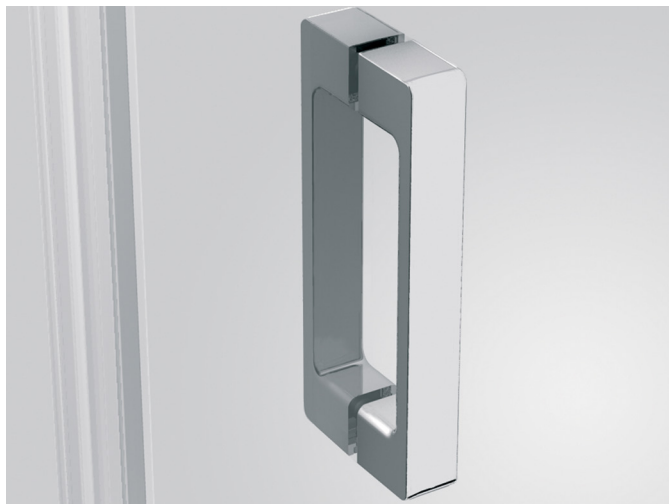


Sanitary Systems

**Roth Cariba CI PIF**

**Roth**



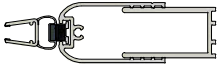
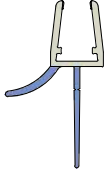

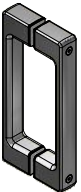
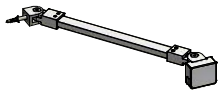
**Assembling Instruction**  
**Montageanleitung**  
**Notice de montage**  
**Montážní návod**

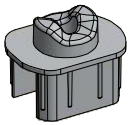


*Shower for life*




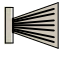



## CI PIF

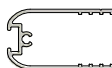

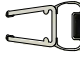

POS.	PREVIEW	PCS	SPARE PART
1.		1	V306
2.		1	FIX
3.		1	P6285
4.		1	P6119
5.		1	P6133
6.		1	MA9198
7.	ACCESSORIES	1	P6149
8.		1	P316

POS.	PREVIEW	PCS	SPARE PART
1.1		2	MA9747


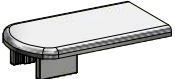











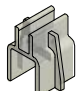
## 2. FIX

POS.	PREVIEW	PCS	SPARE PART
2.1		1	V304
2.2		2	MA9742
2.3		1	P5941
2.4		1	ND01-3398
2.5		2	M3372

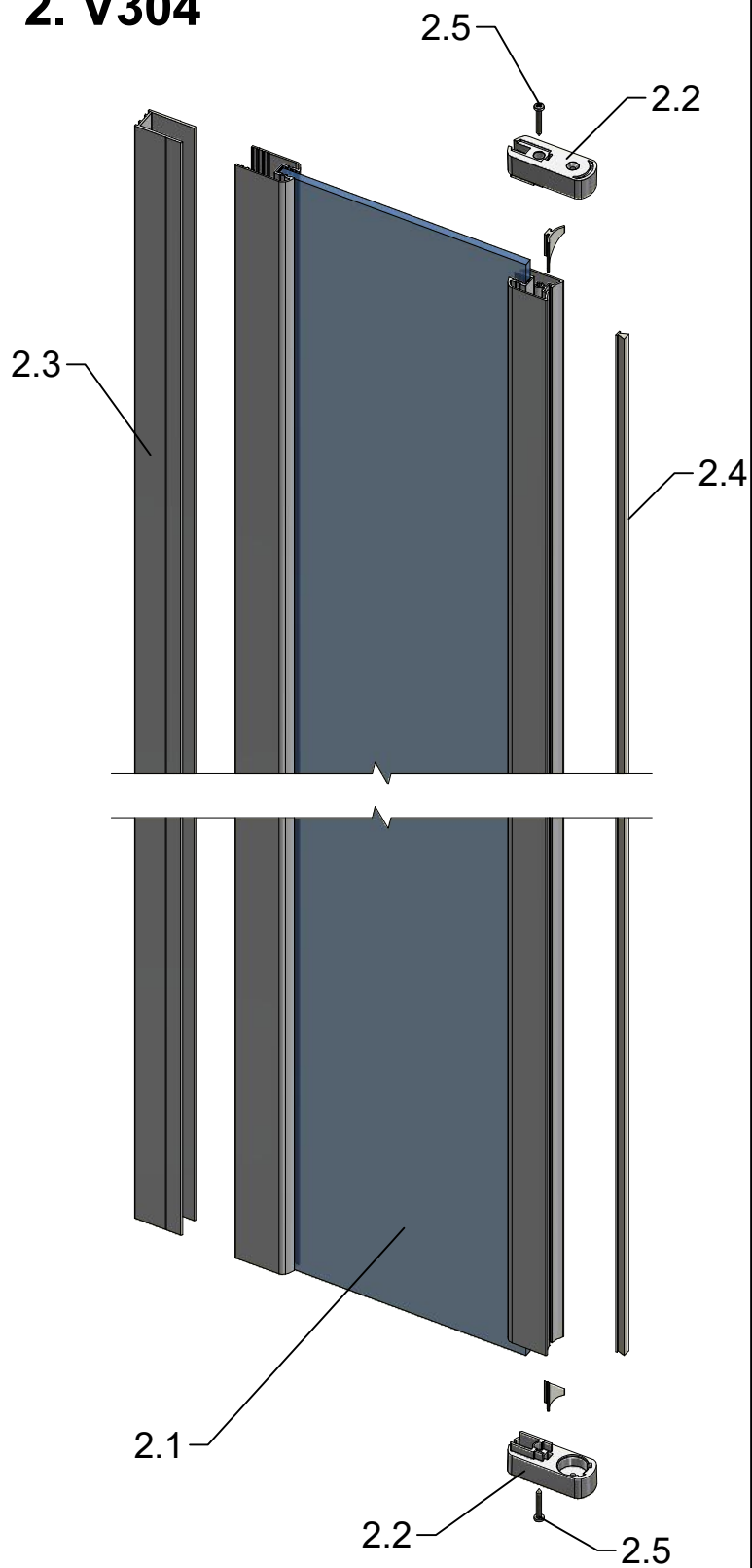
## 3. P6285

POS.	PREVIEW	PCS	SPARE PART
3.1		1	P5886
3.2		1	P5941
3.3		1	P6135
3.4		1	M8169

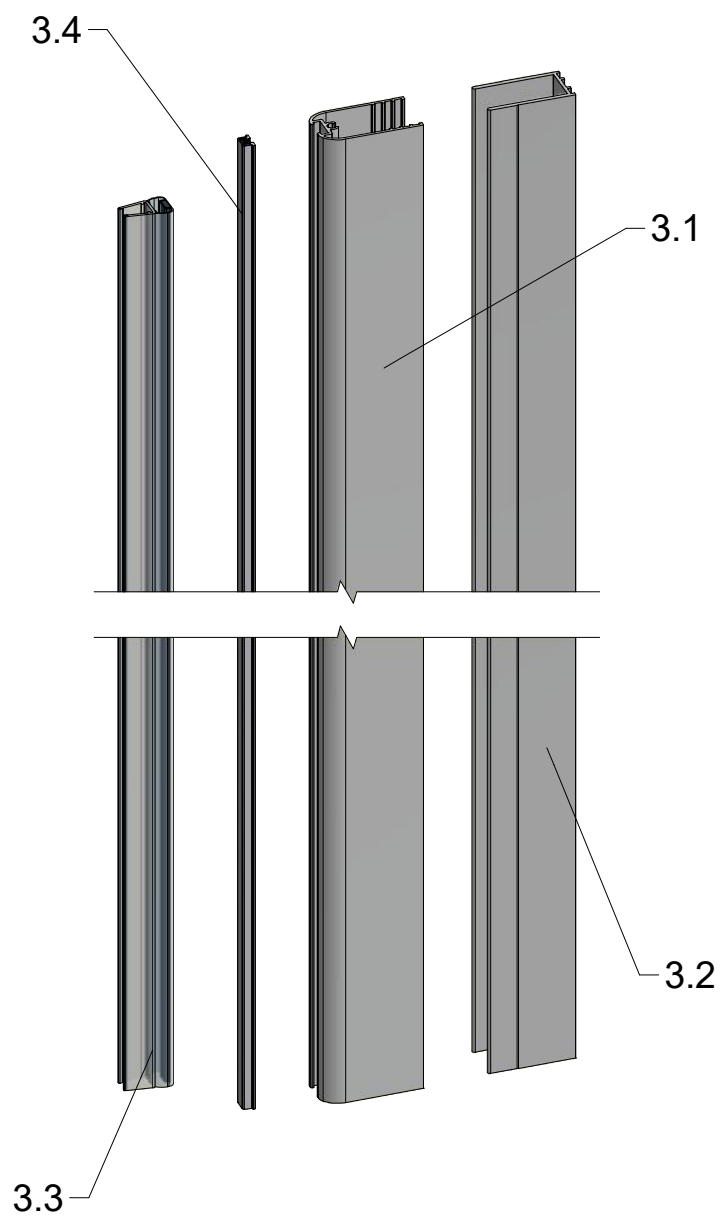
## 7. P6149

POS.	PREVIEW
7.1	
7.2	
7.3	
7.4	6x 
7.5	6x 
7.6	
7.7	6x 
7.8	6x 
7.9	6x 
7.10	
7.11	
7.12	
7.13 7.14	 + 

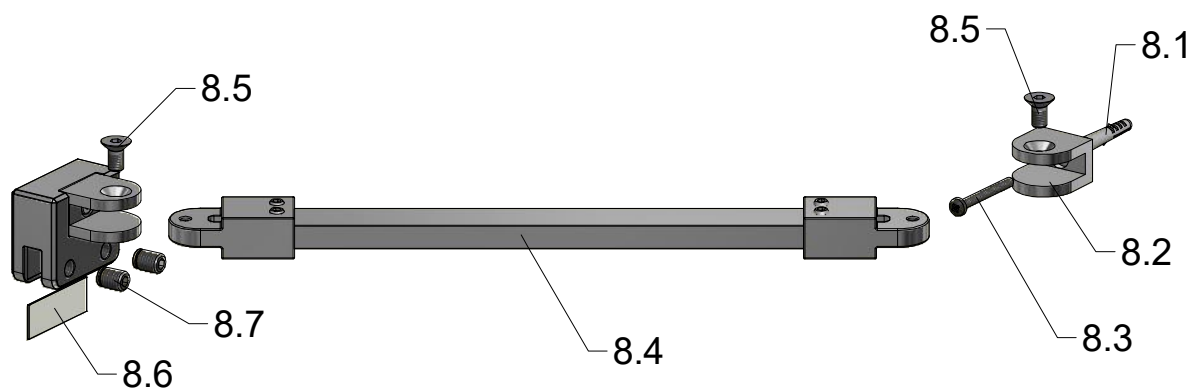
## 2. V304



## 3. P6285



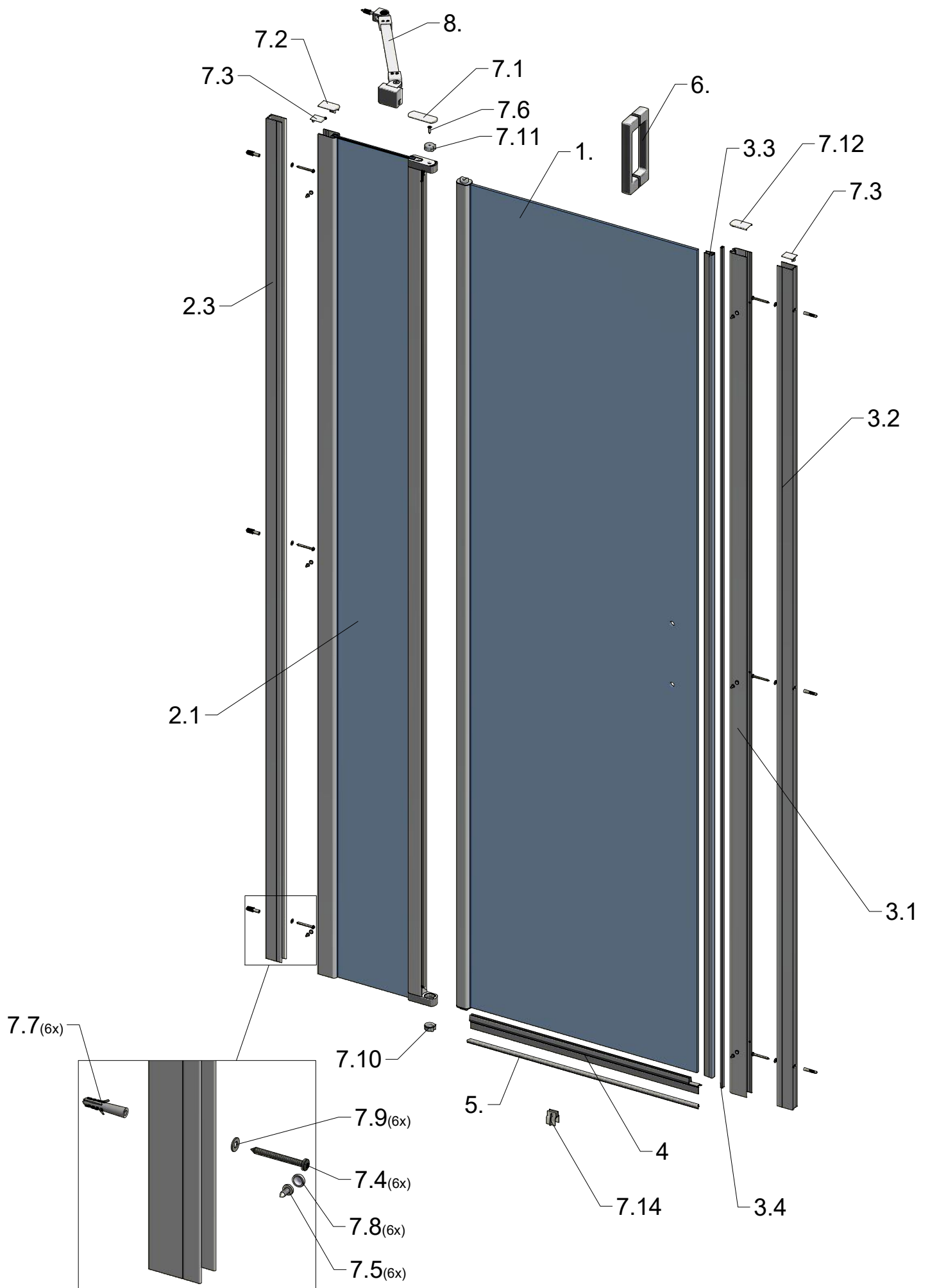
## 8. P316



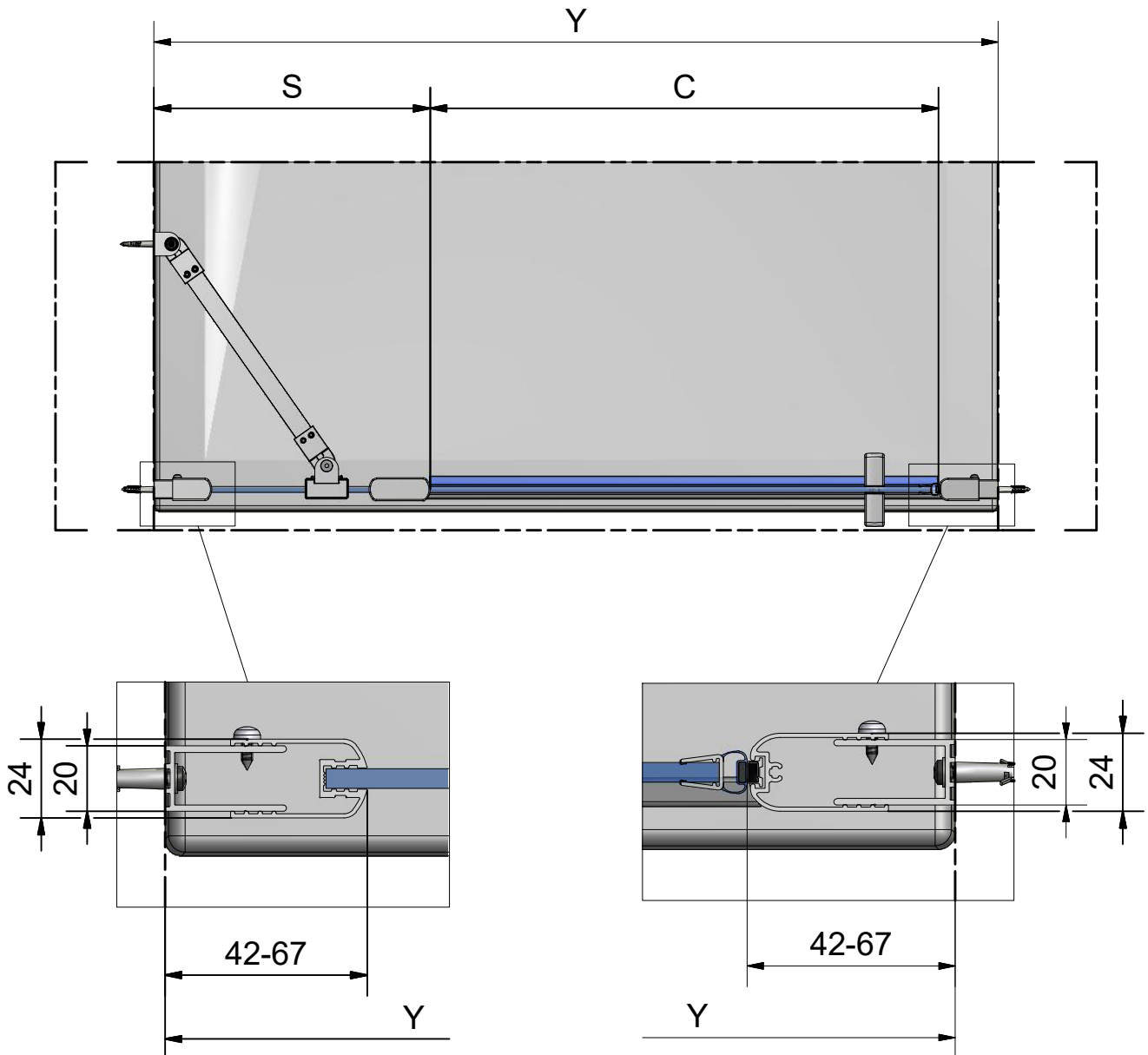
1. V306		
SIZE	GLASS + PROFILE	SPARE PART
800	clear glass+brillant	ND02-0959-00-02
900	clear glass+brillant	ND02-0914-00-02
1000	clear glass+brillant	ND02-0915-00-02
1100	clear glass+brillant	ND02-0917-00-02
1200	clear glass+brillant	ND02-0917-00-02
1220	clear glass+brillant	ND02-0918-00-02
1400	clear glass+brillant	ND02-0920-00-02

2.1 V304		
SIZE	PROFILE + GLASS + PROFILE	SPARE PART
800	clear glass+brillant	ND03-0965-00-02
900	clear glass+brillant	ND03-0965-00-02
1000	clear glass+brillant	ND03-0966-00-02
1100	clear glass+brillant	ND03-0966-00-02
1200	clear glass+brillant	ND03-0967-00-02
1220	clear glass+brillant	ND03-0968-00-02
1400	clear glass+brillant	ND03-0969-00-02

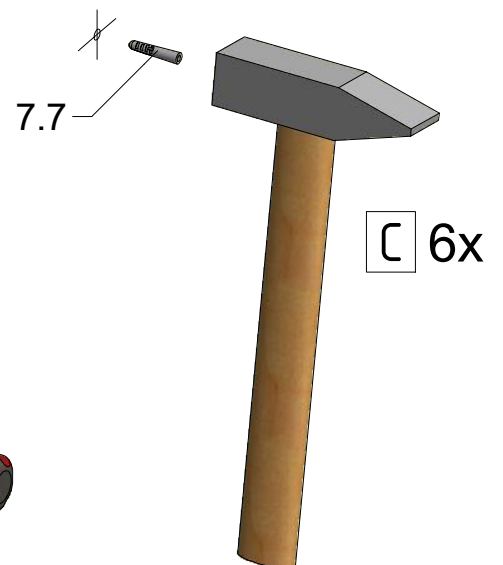
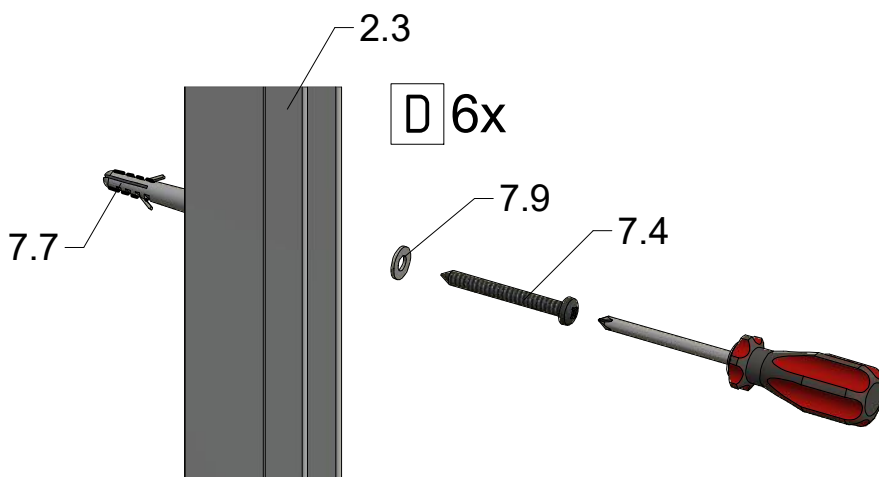
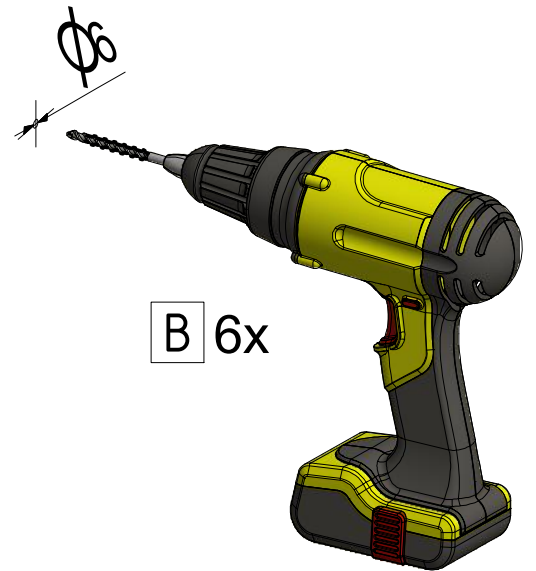
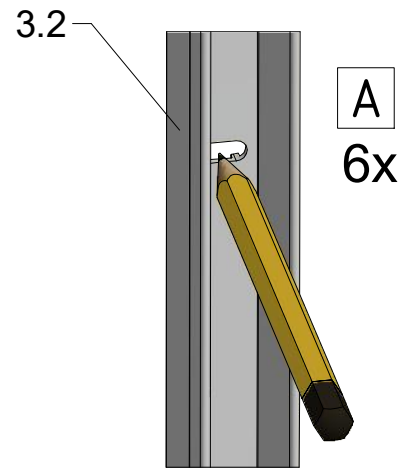
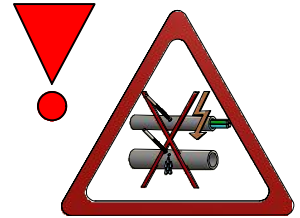
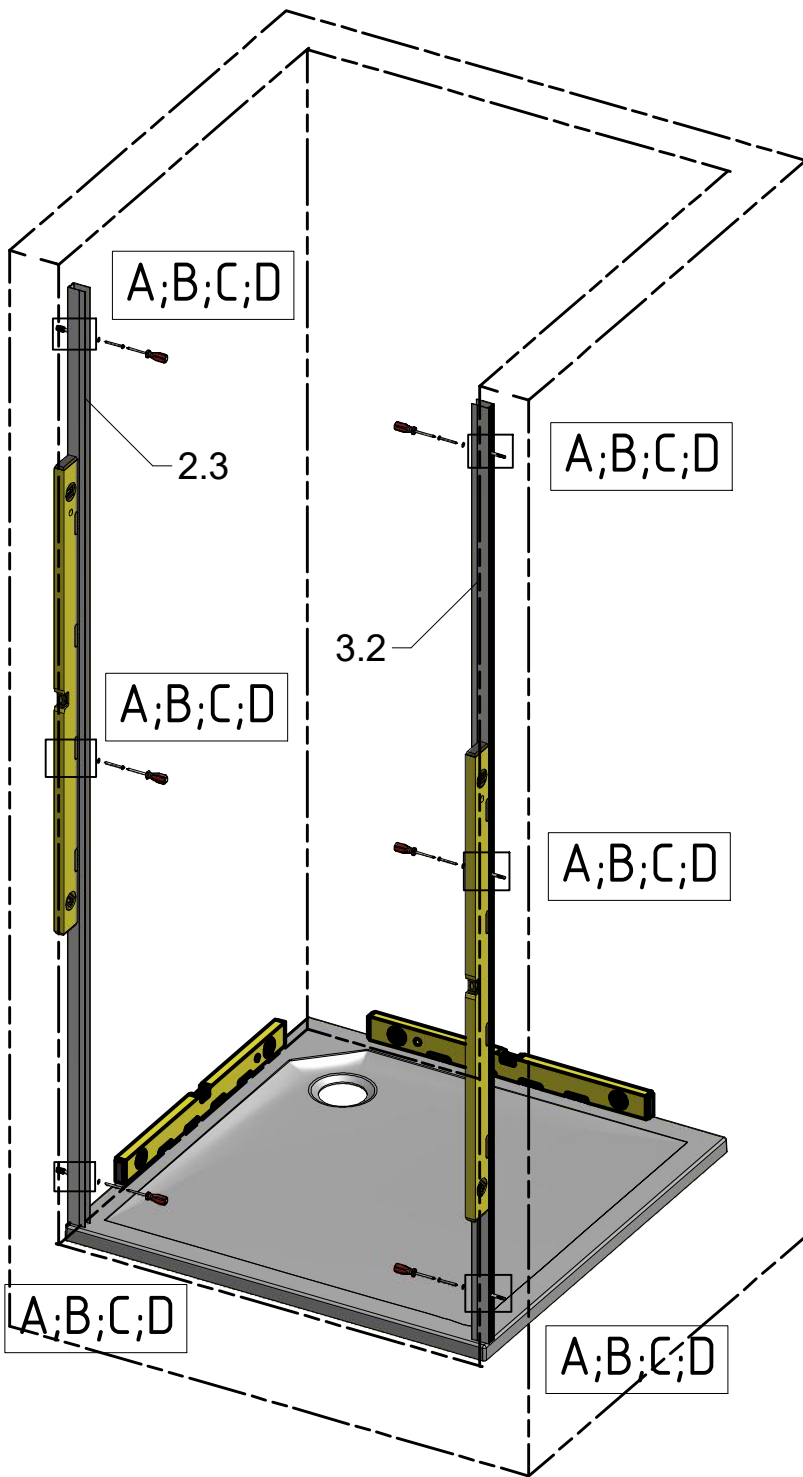
8. P316		
SIZE	PROFILE	SPARE PART
800;900;1000;1100	brillant	MB0229
1200;1220;1400	brillant	MB0230



# CI PIF



CI PIF			
TYPE	Y (mm)	C (mm)	S (mm)
800	760-810	440	275-300
900	860-910	540	275-300
1000	960-1010	590	325-350
1100	1060-1110	690	325-350
1200	1160-1210	690	425-450
1220	1190-1240	740	405-430
1400	1360-1410	840	475-500





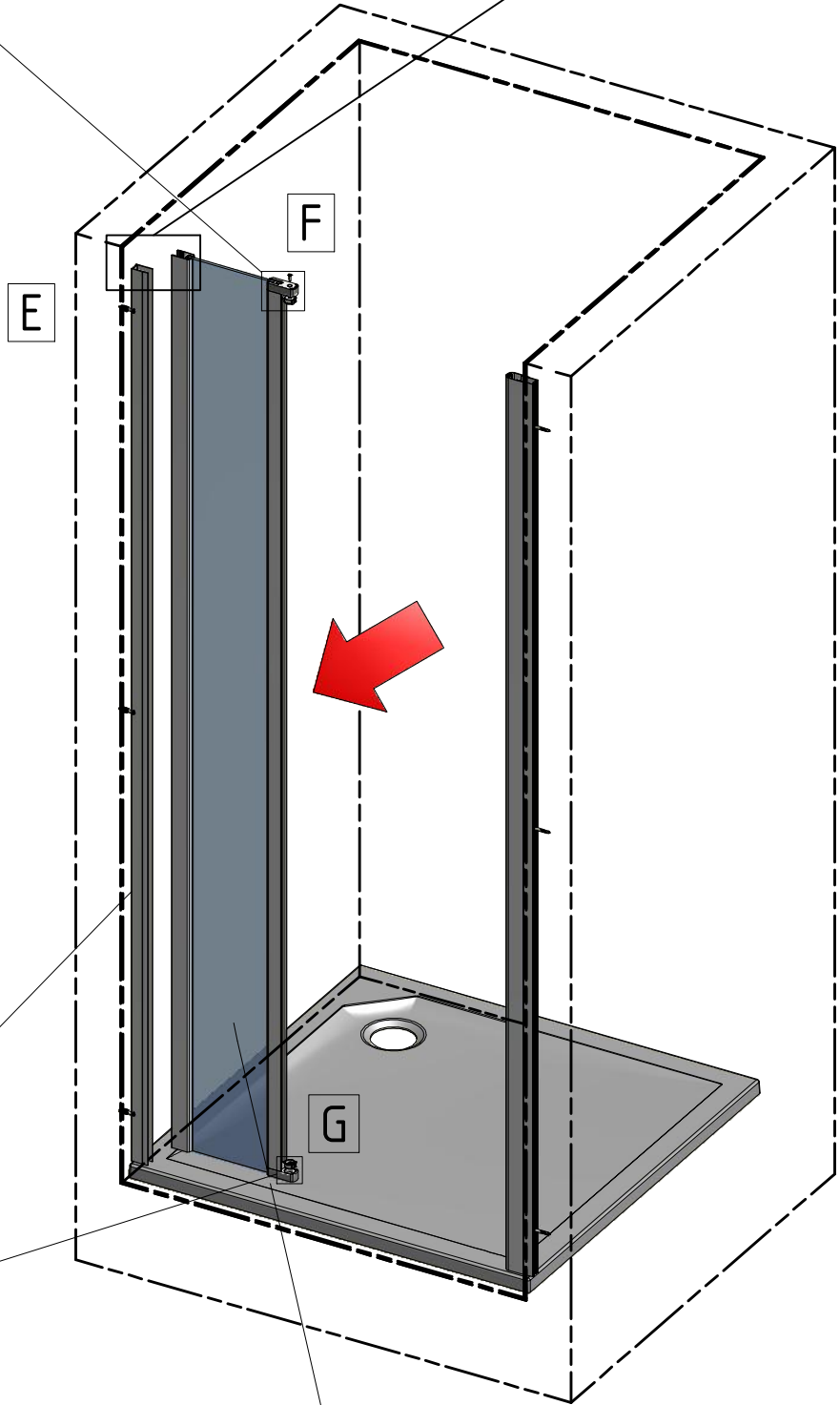
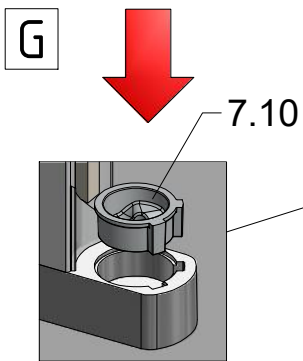
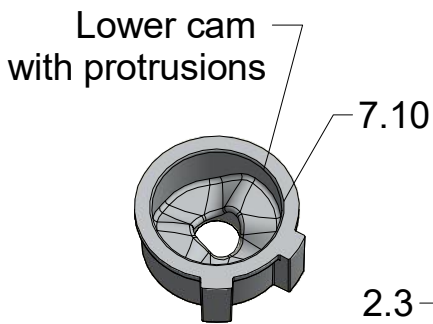
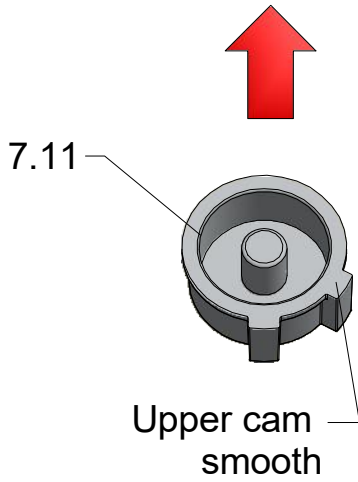
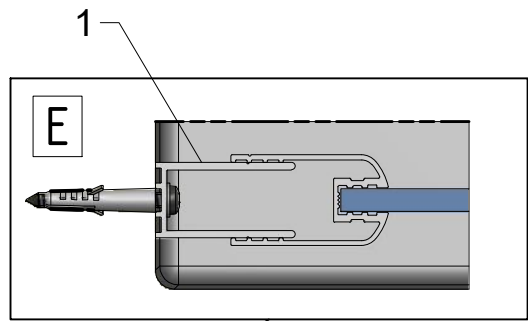
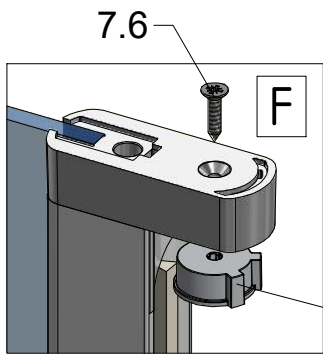
Next step in instructions is for left installation  
(for right installation - proceed in a mirror image)



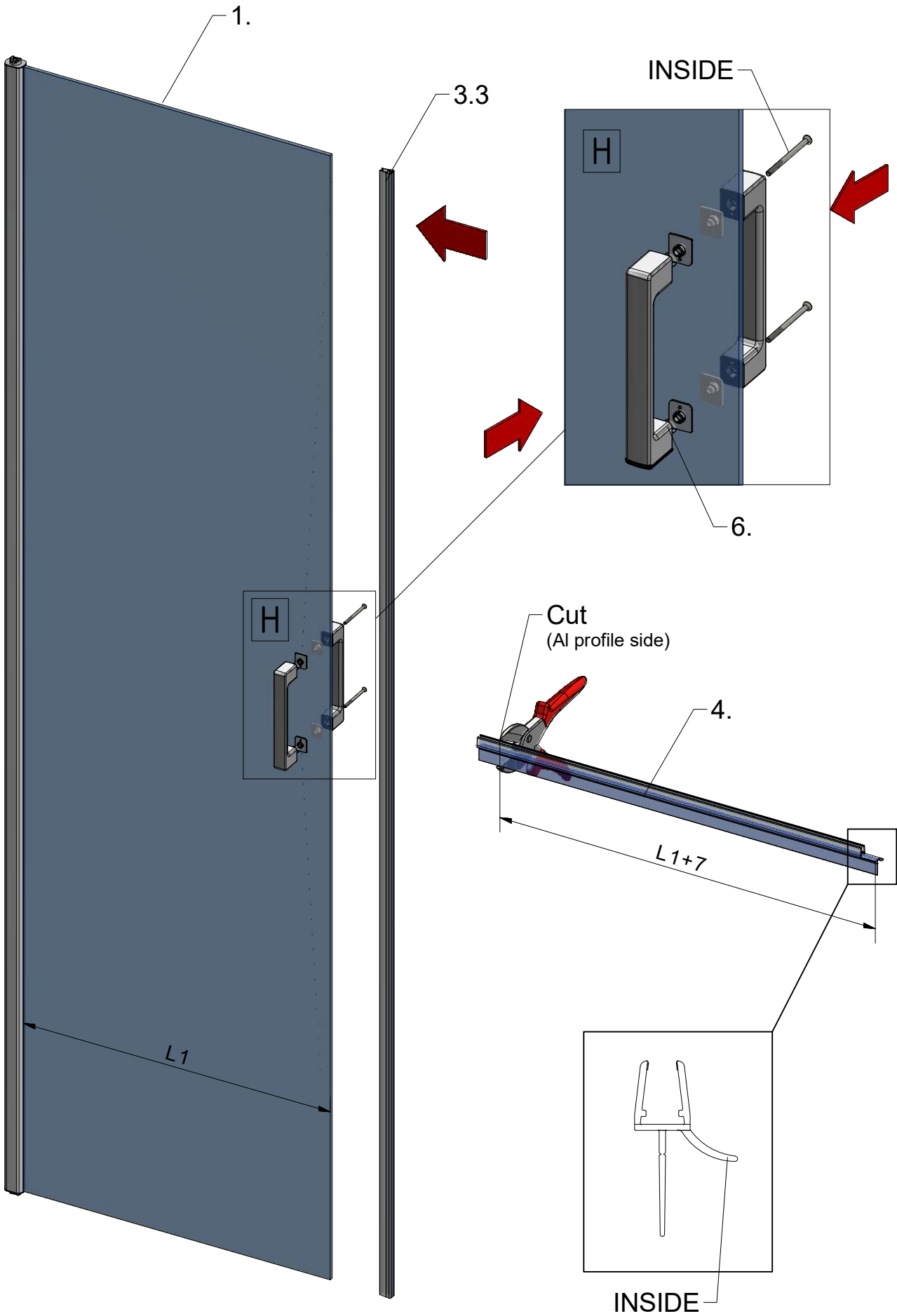
**LEFT Installation**

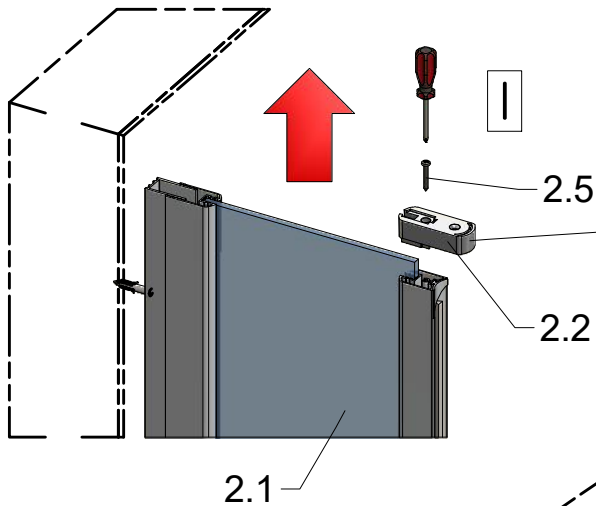


**RIGHT Installation**

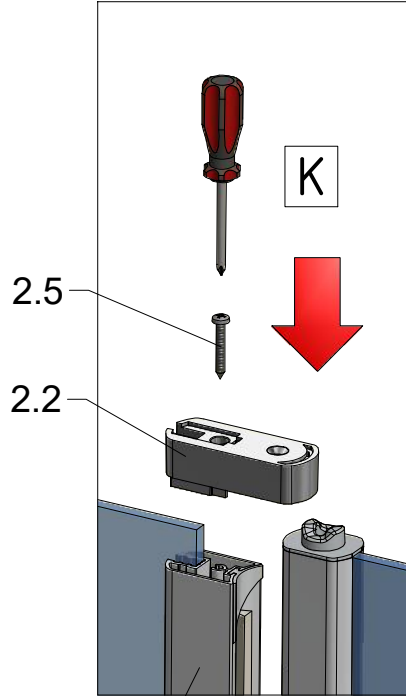


Protective layer ROTH ETC  
always in the shower area  
(designed for contact with water)



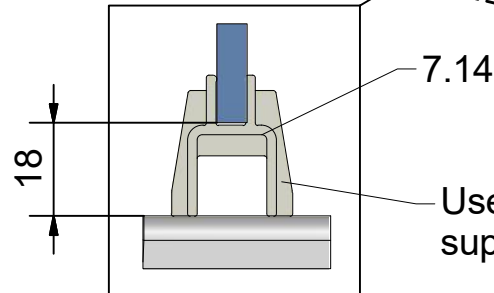
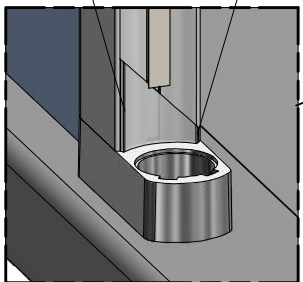


Remove the ZAMAK for door assembly



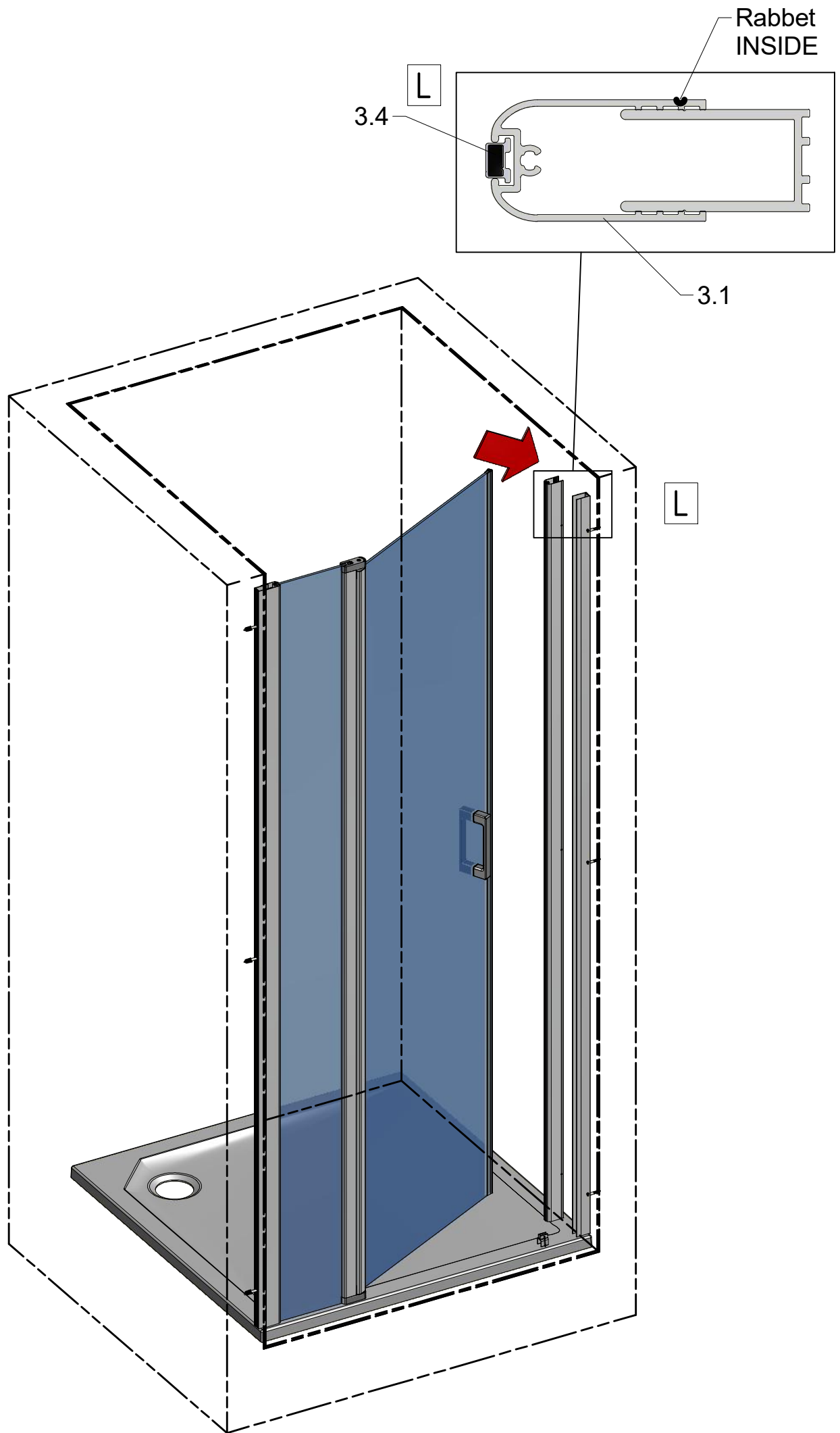
K

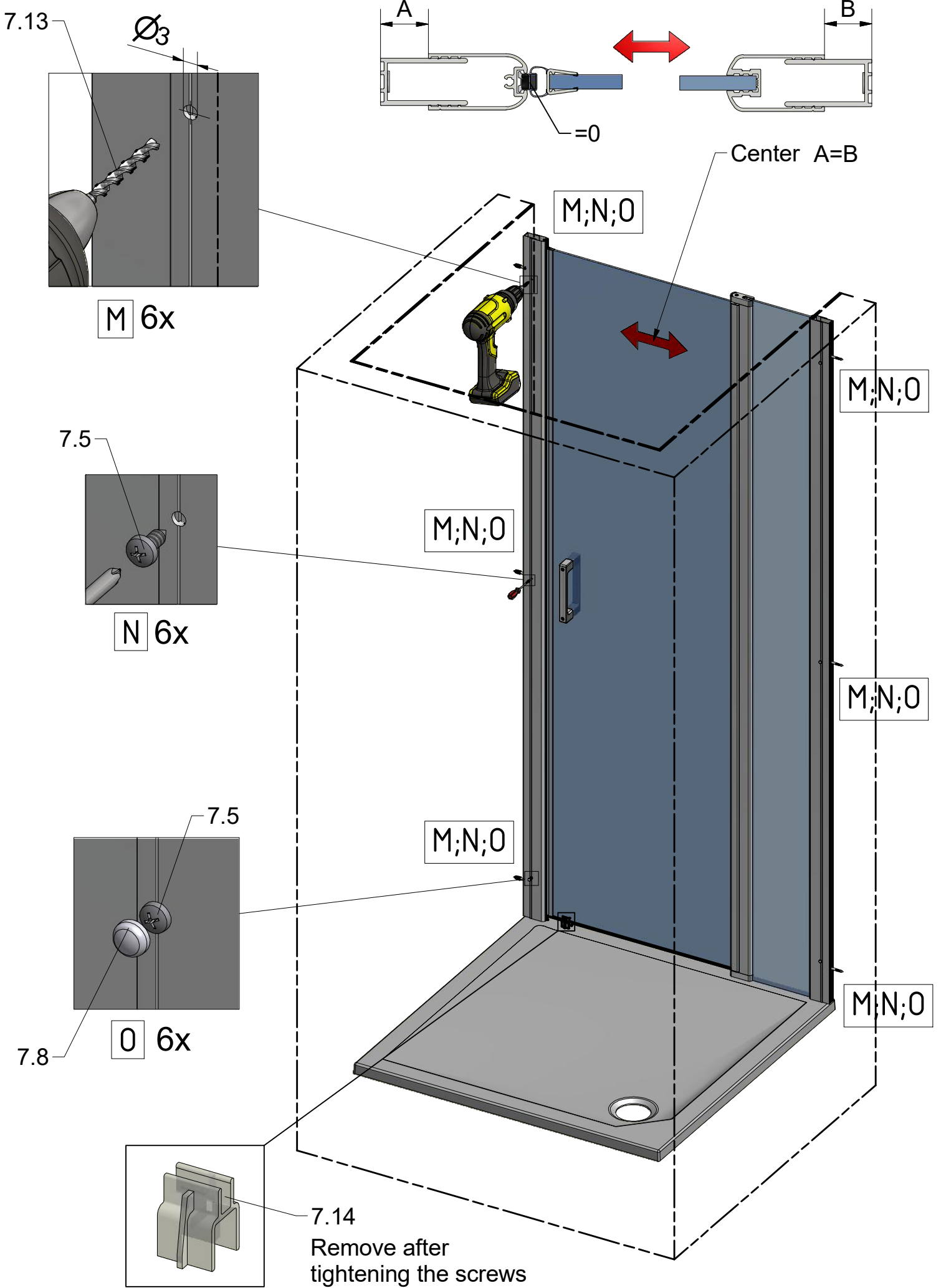
OUTSIDE      INSIDE

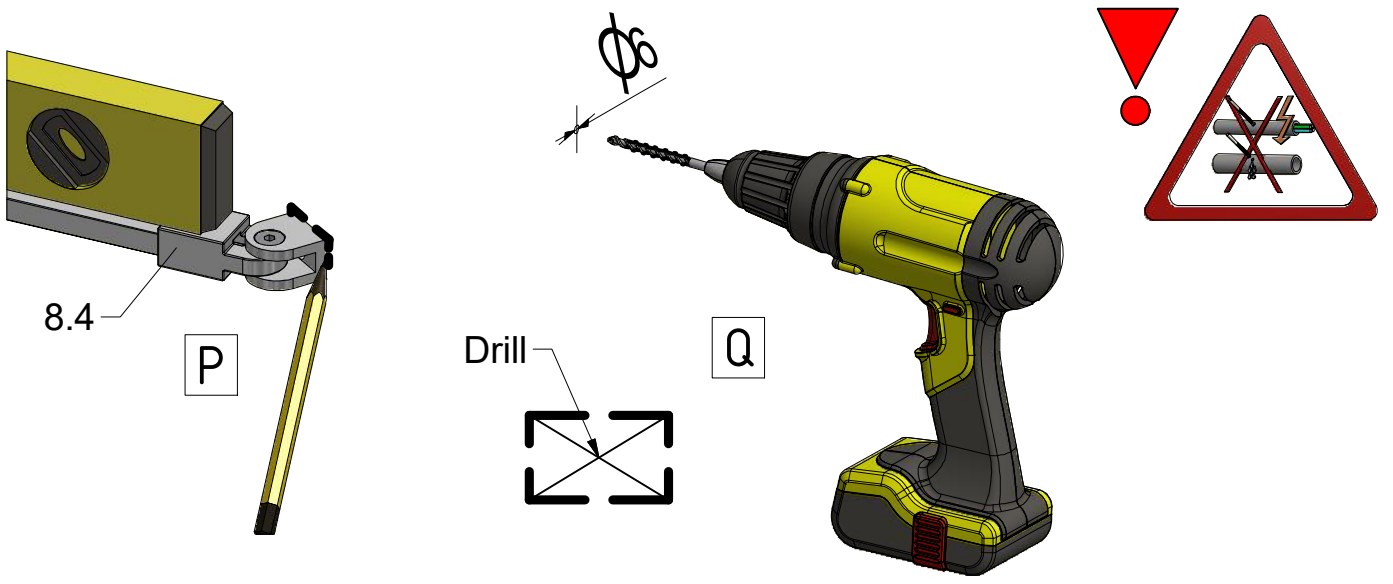


Use for protect and support door glass

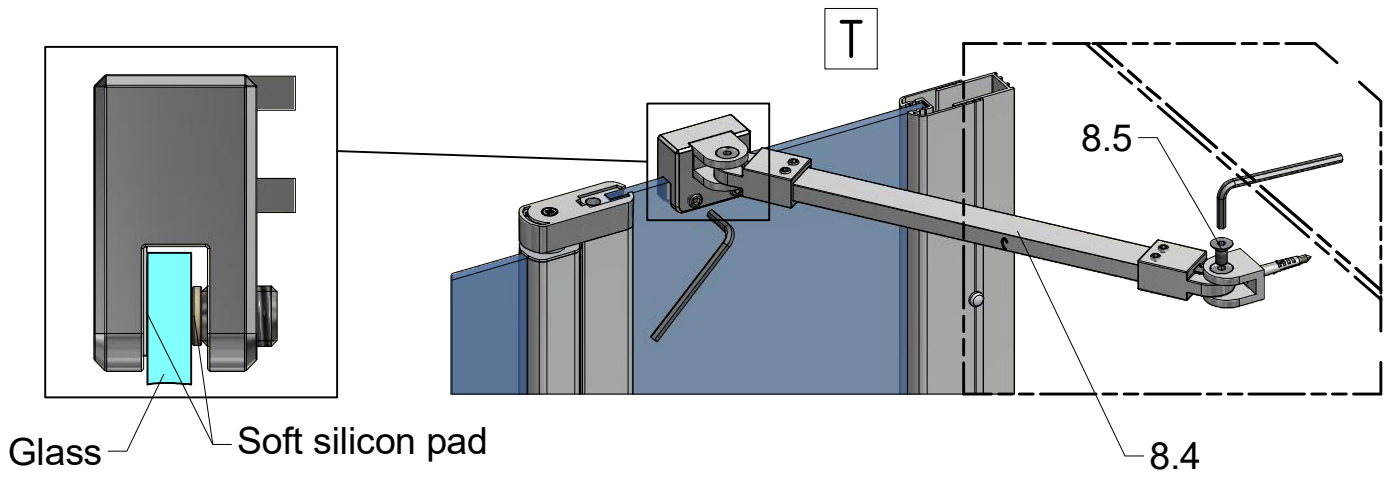
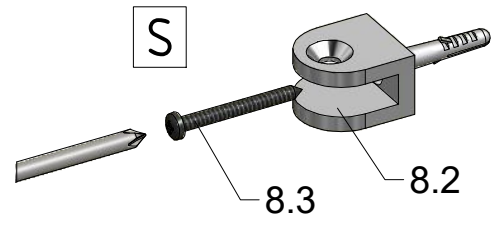
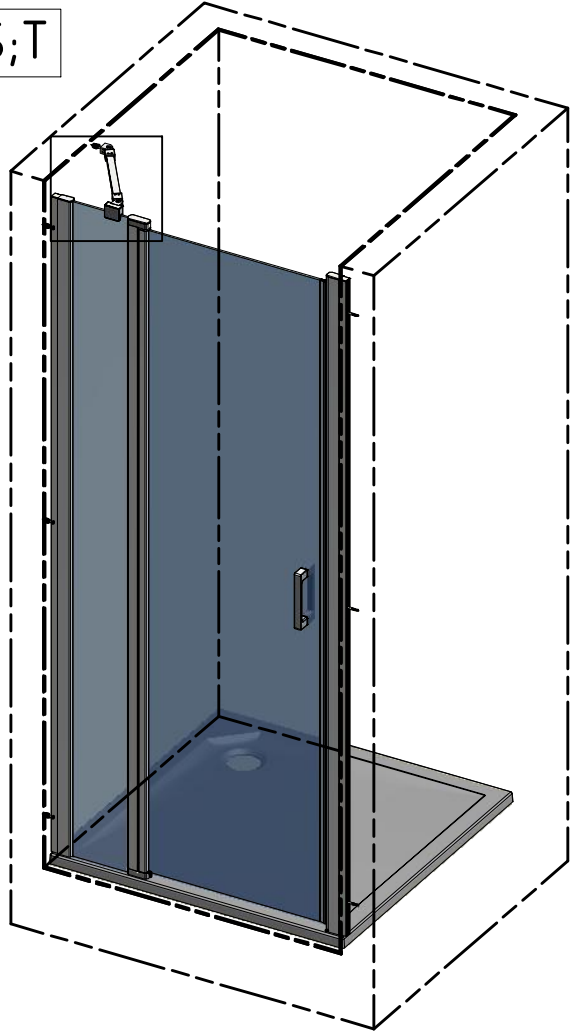


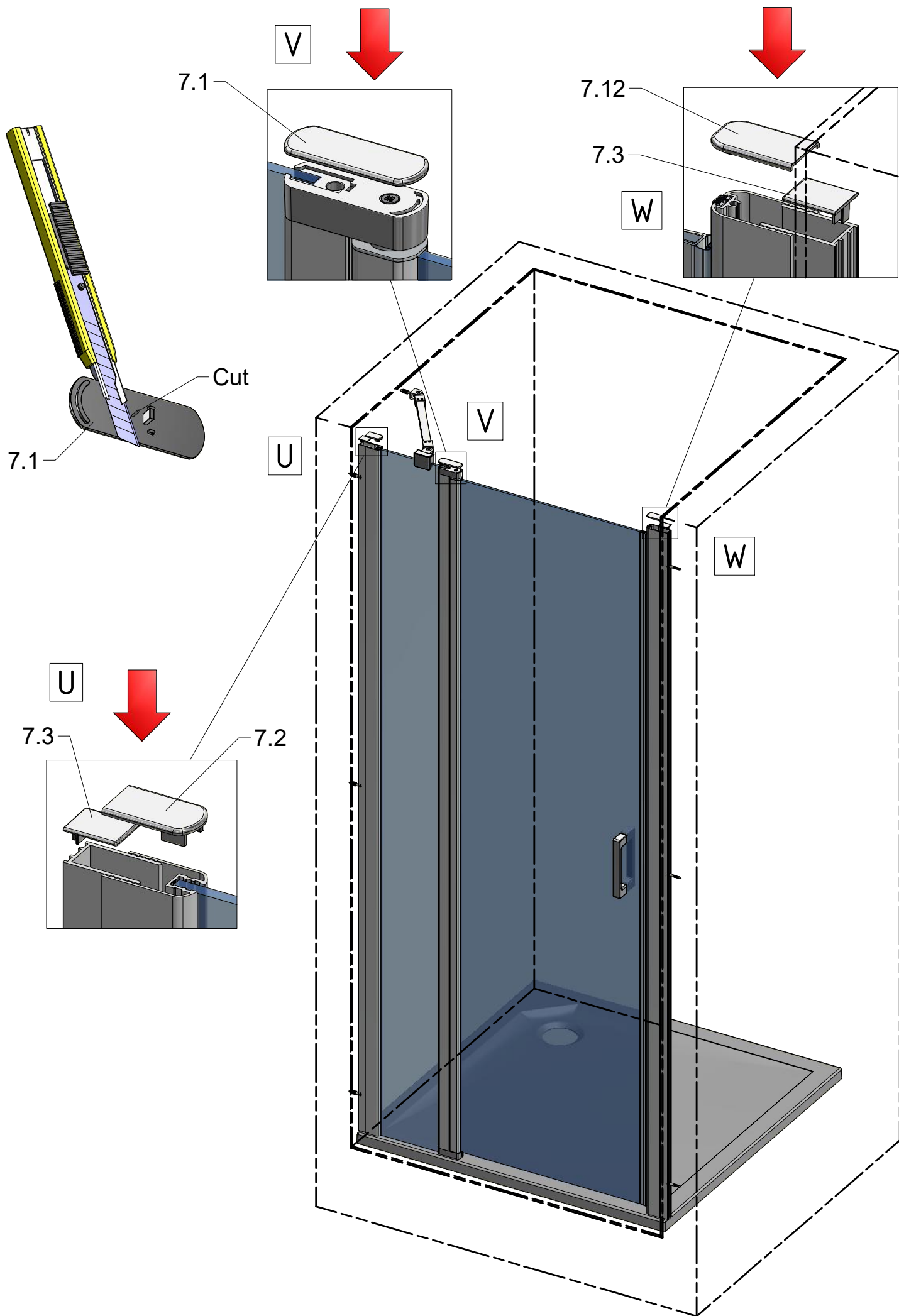






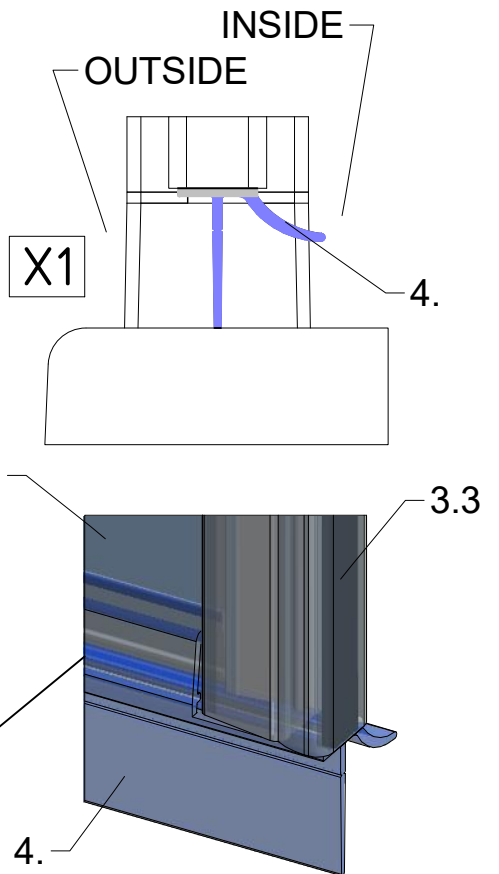
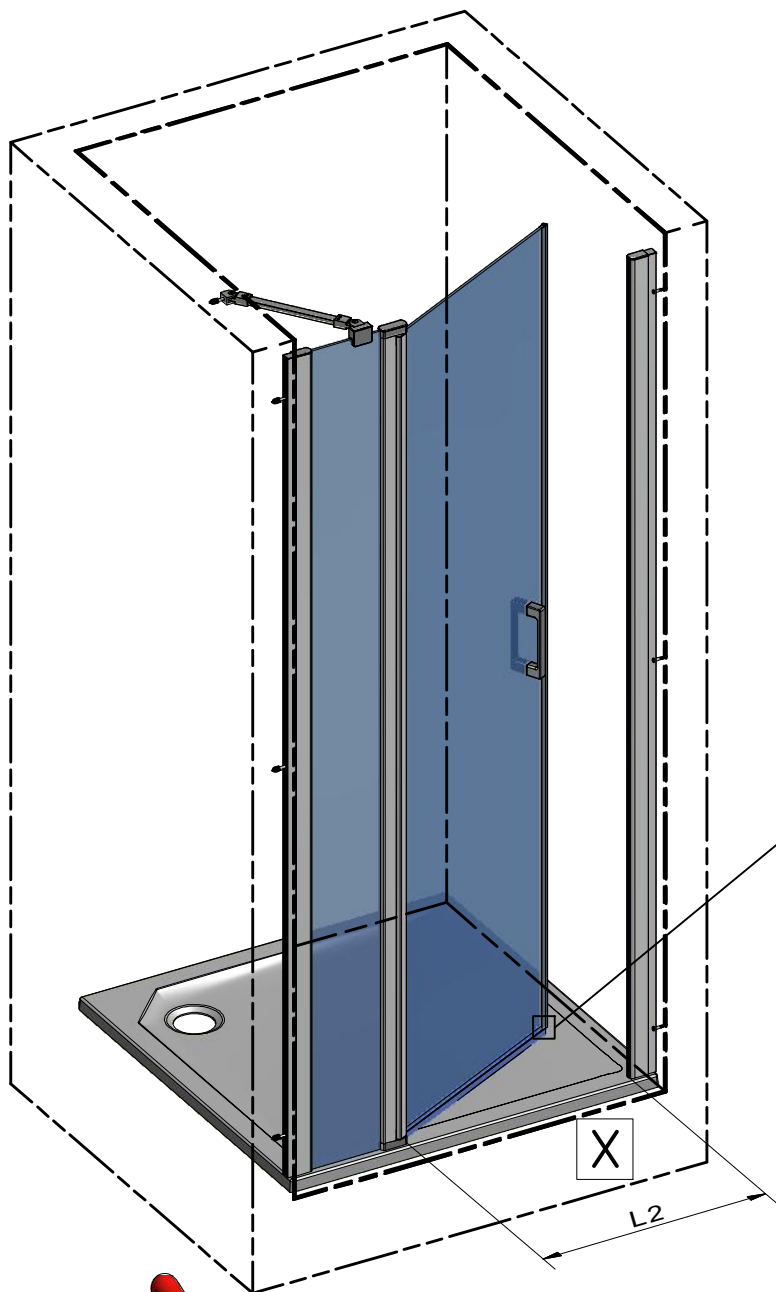
P;Q;R;S;T



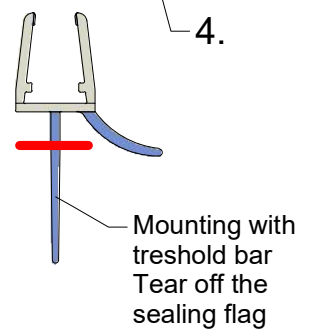
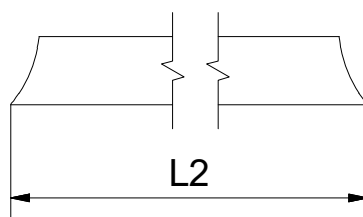
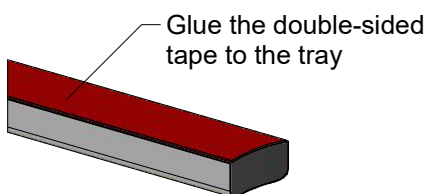
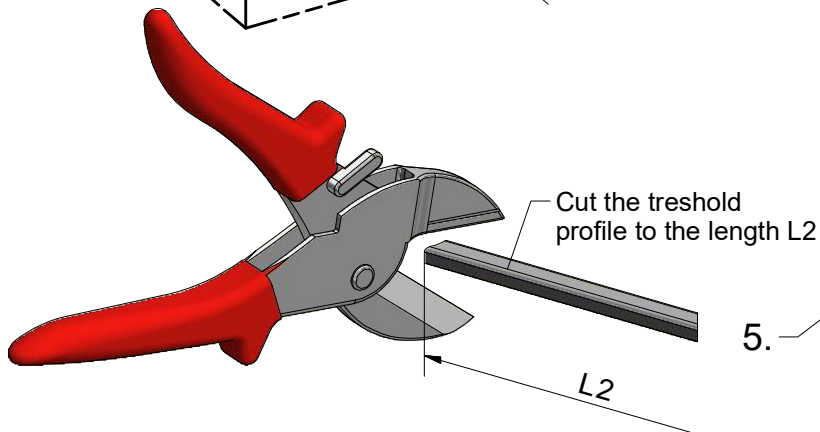
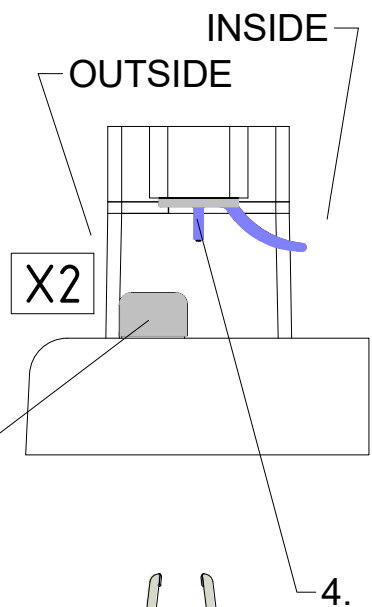




## Mounting without threshold bar



## Mounting with threshold bar

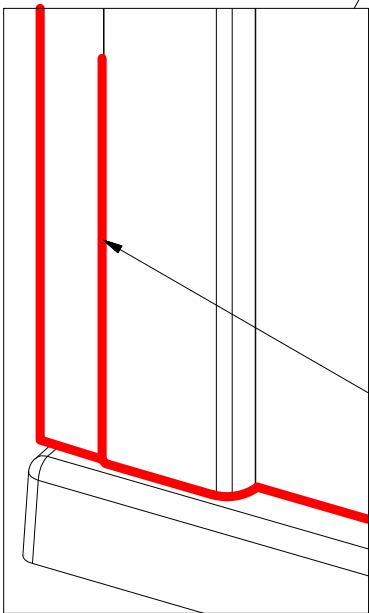




24 h

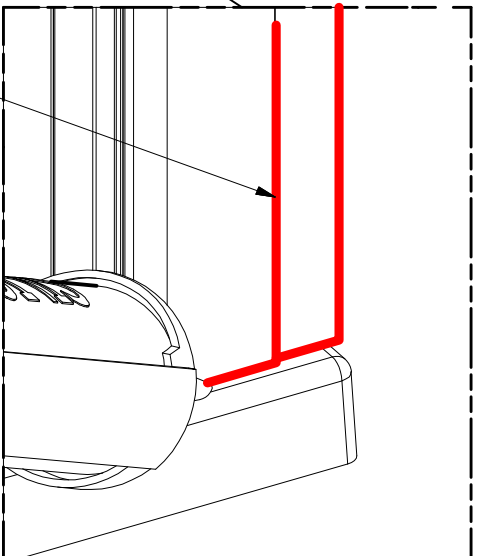
SILICONE

SILICONE

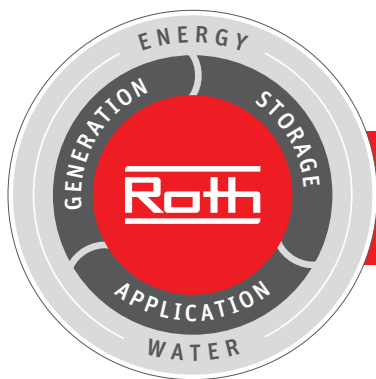


SILICONE  
MIN 100mm

SILICONE  
MIN 100mm







## Roth Energy and Sanitary Systems

### Generation

- Solar systems <
- Heat pump systems <

### Storage

- Storage systems for Domestic & heating water <
- Combustibles and biofuels <
- Rainwater and waste water <

### Application

- > Radiant heating and cooling systems
- > Pipe installation systems
- > Shower system

# Roth

#### ■ Deutschland

##### **ROTH WERKE GMBH**

Am Seerain 2  
35232 Dautphetal  
Telefon: 06466/922-0  
Telefax: 06466/922-100  
E-Mail: [service@roth-werke.de](mailto:service@roth-werke.de)  
[www.roth-werke.de](http://www.roth-werke.de)

#### ■ Czech Republic

##### **Roth Czech s.r.o.**

Třebořov 160  
569 33 Třebořov  
Tel.: +420 461 353 611  
E-Mail: [objednavky@roth-czech.cz](mailto:objednavky@roth-czech.cz)  
[www.roth-czech.cz](http://www.roth-czech.cz)

#### ■ France

##### **ROTH FRANCE**

CS 20090  
78, rue Ampère - ZI  
77465 Lagny sur Marne Cedex  
Tél.: +420 461 353 611  
[www.roth-france.fr](http://www.roth-france.fr)