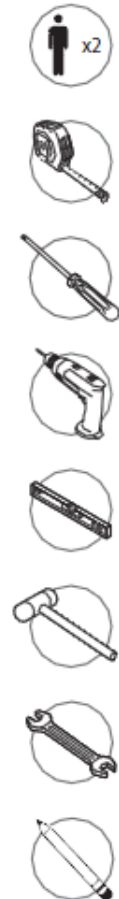
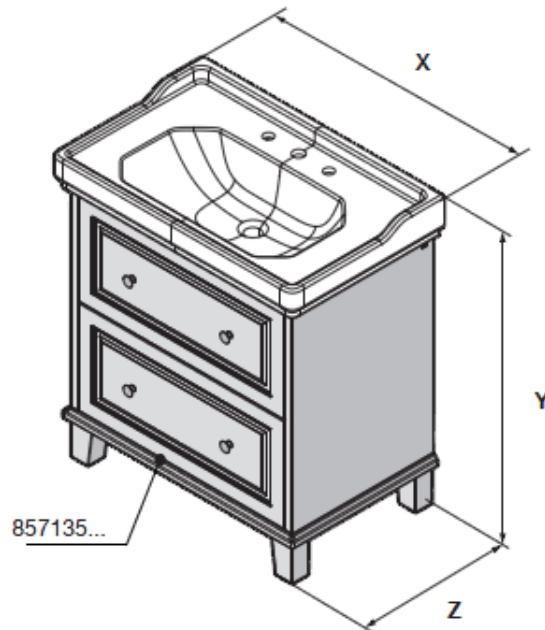
	PRODUCT BOOK	8-18-34
	CARMEN	
	BATH FURNITURE	
	BREAKDOWN	Sheet 11

3. Instructions



CARMEN



	mm		
	X	Y	Z
857135...	800	900	480



PRODUCT BOOK

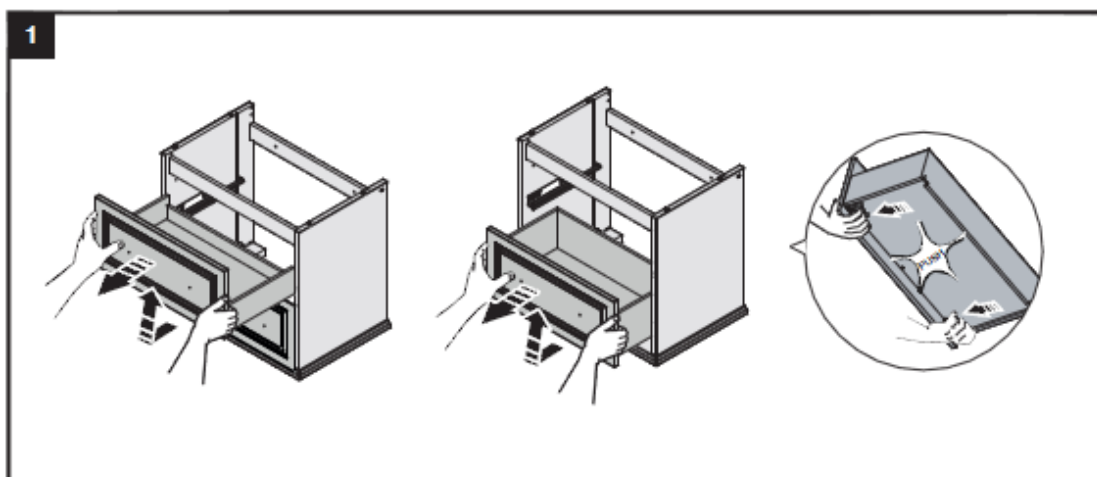
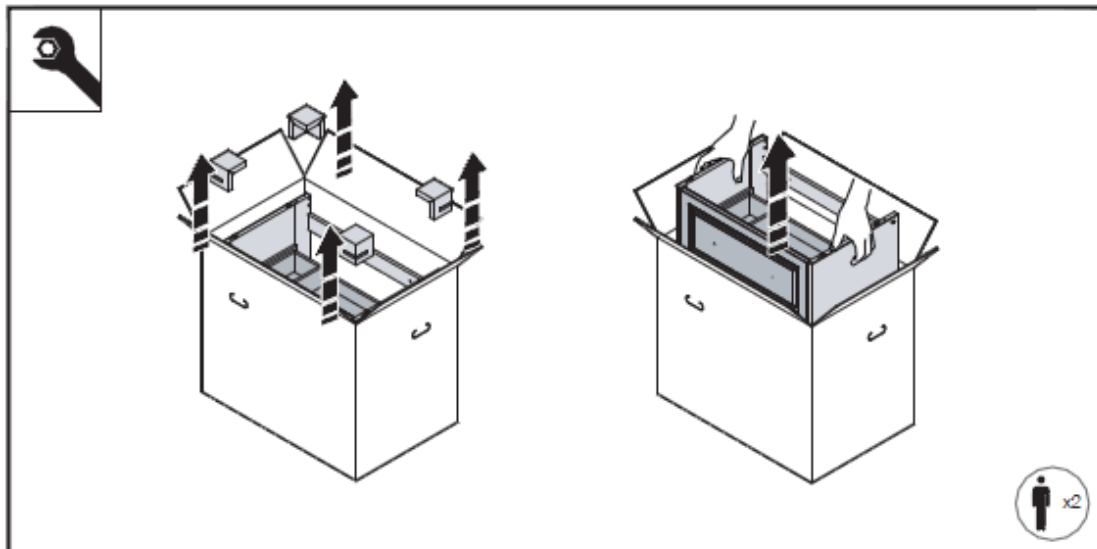
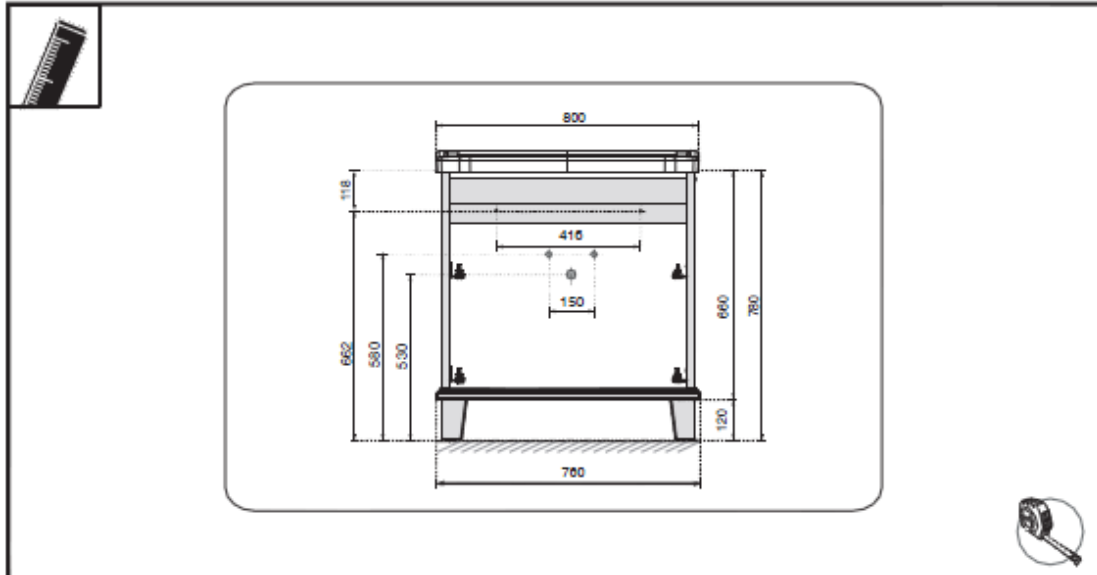
CARMEN

BATH FURNITURE

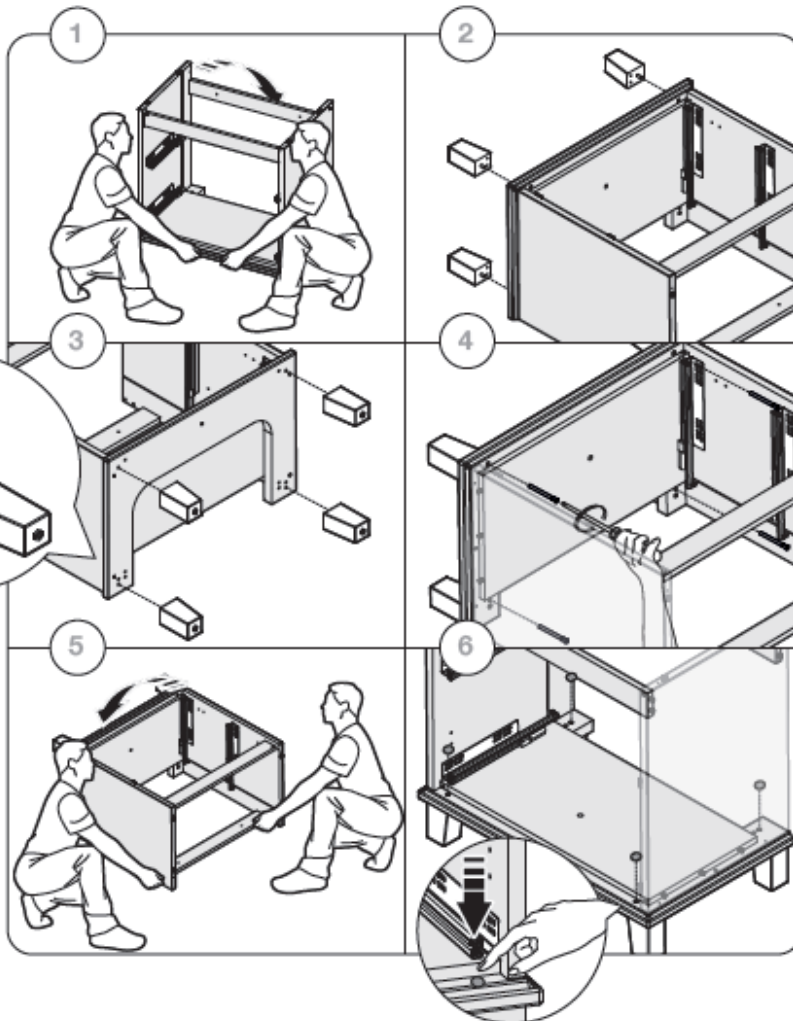
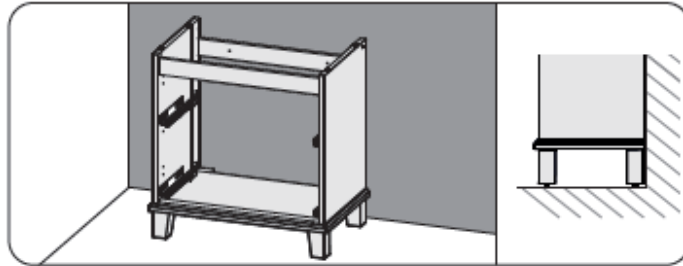
BREAKDOWN

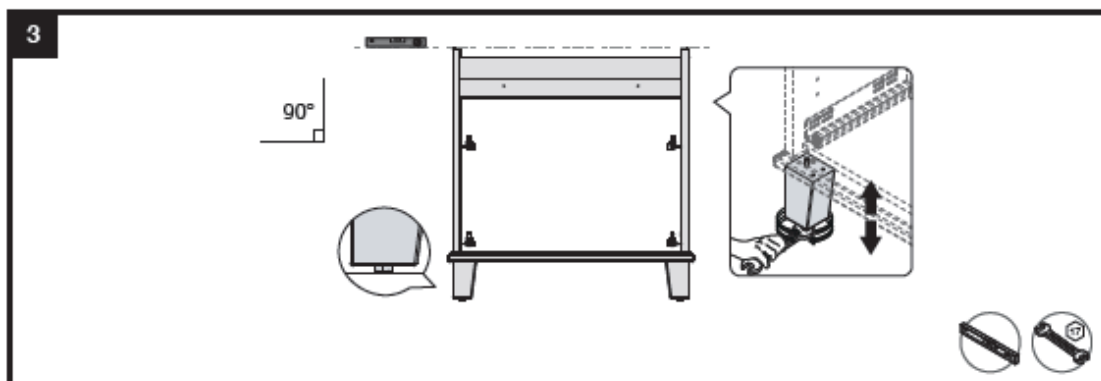
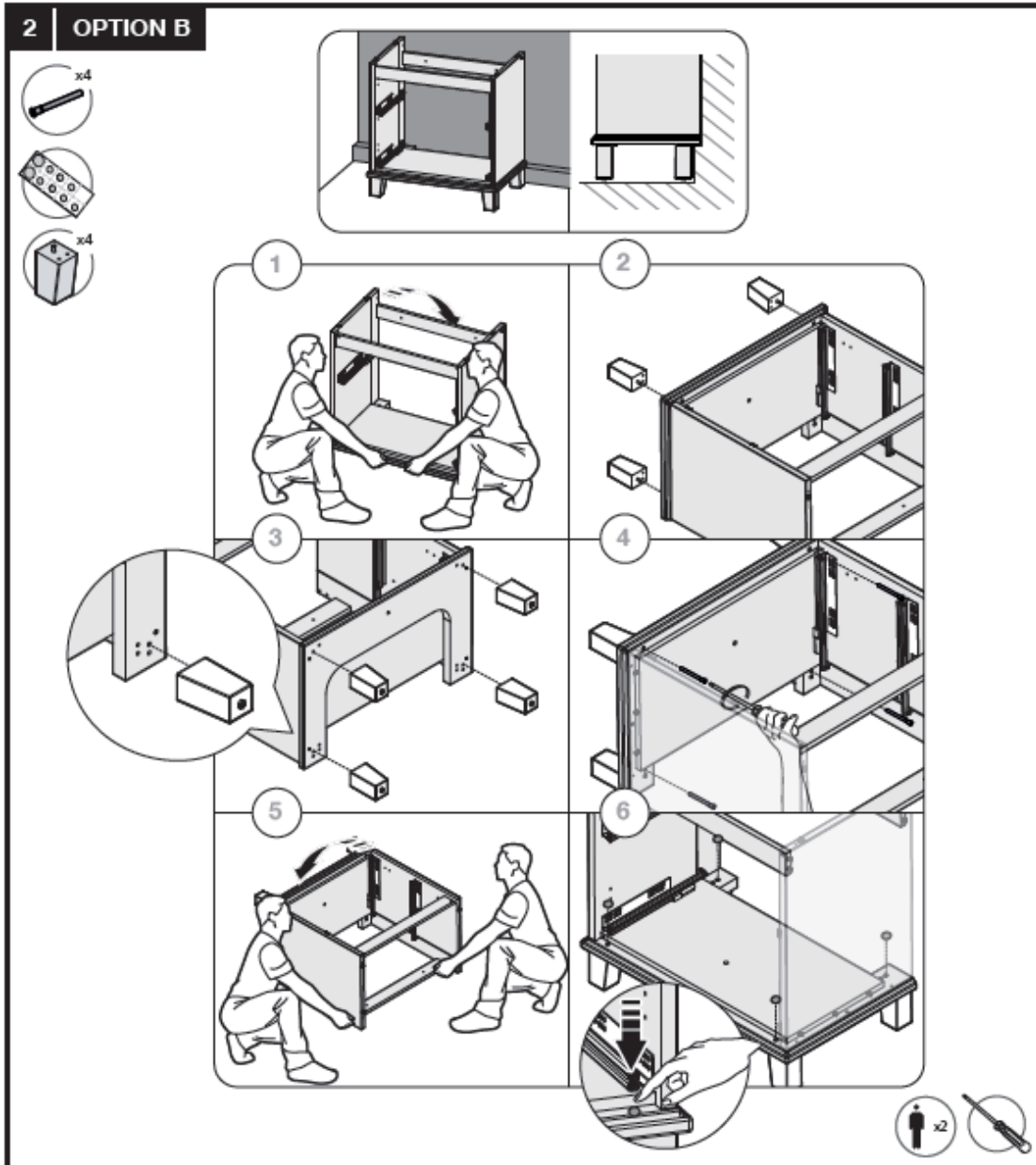
8-18-34

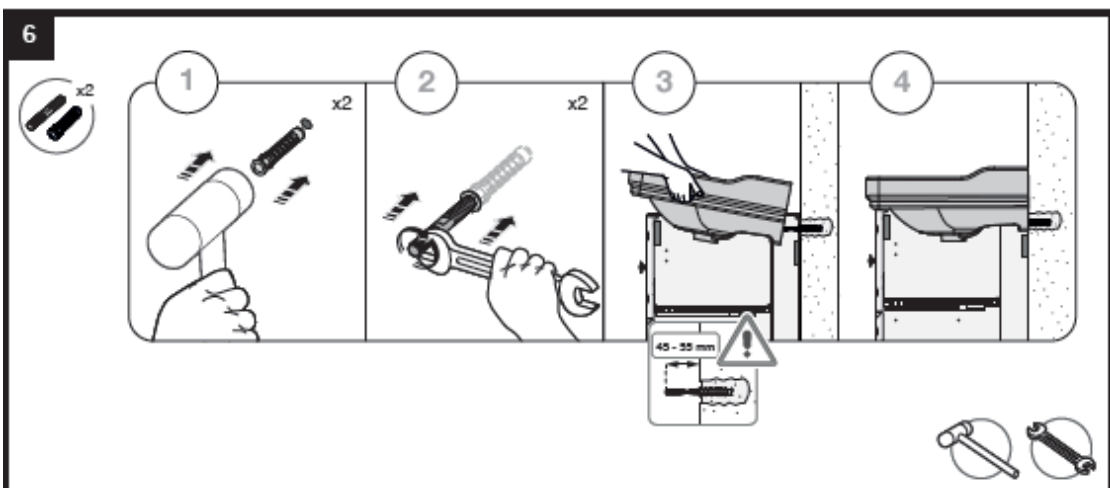
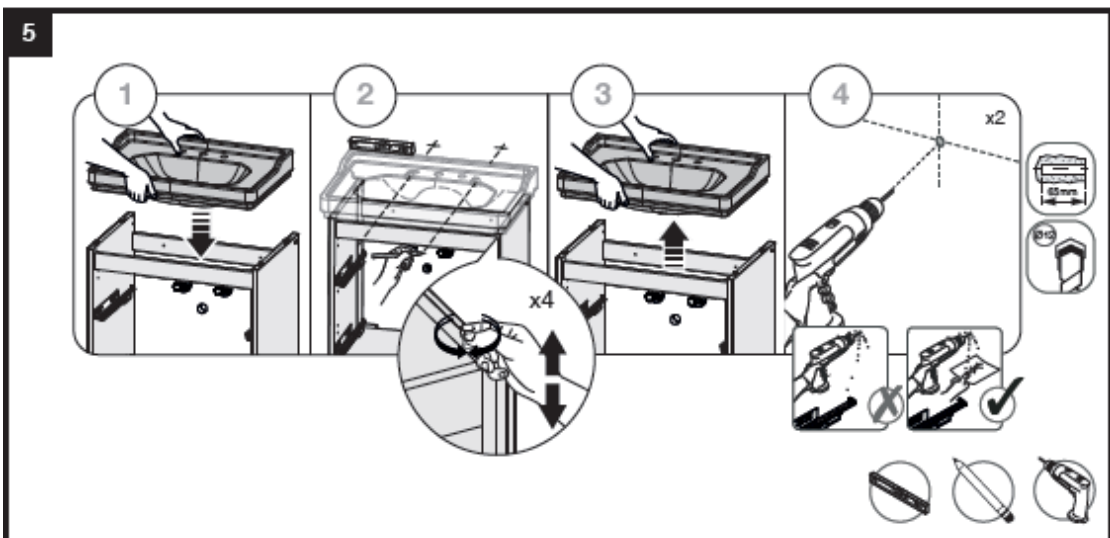
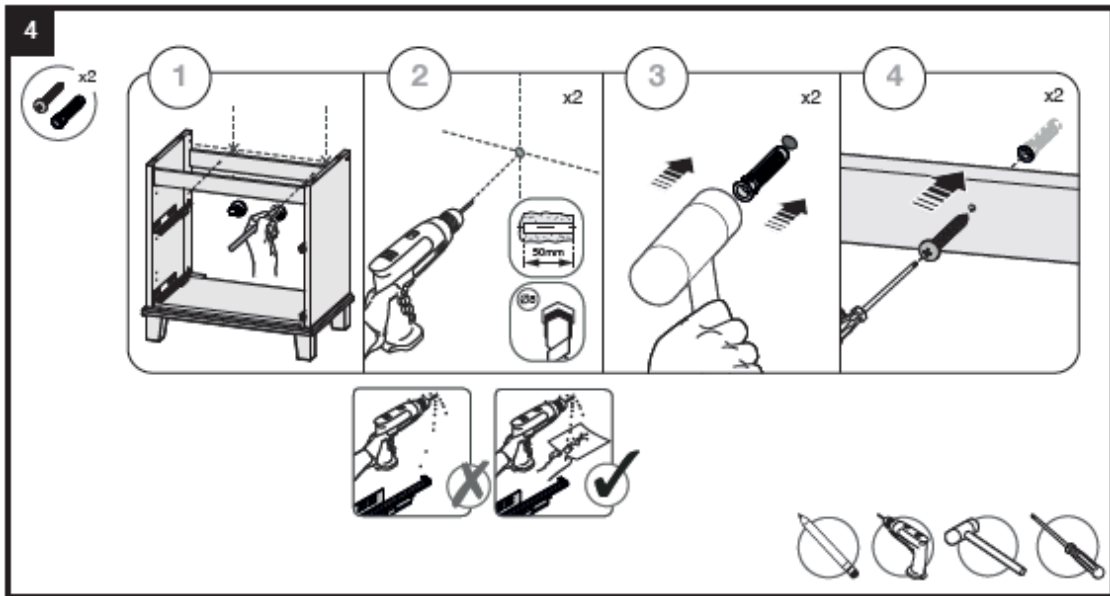
Sheet 12

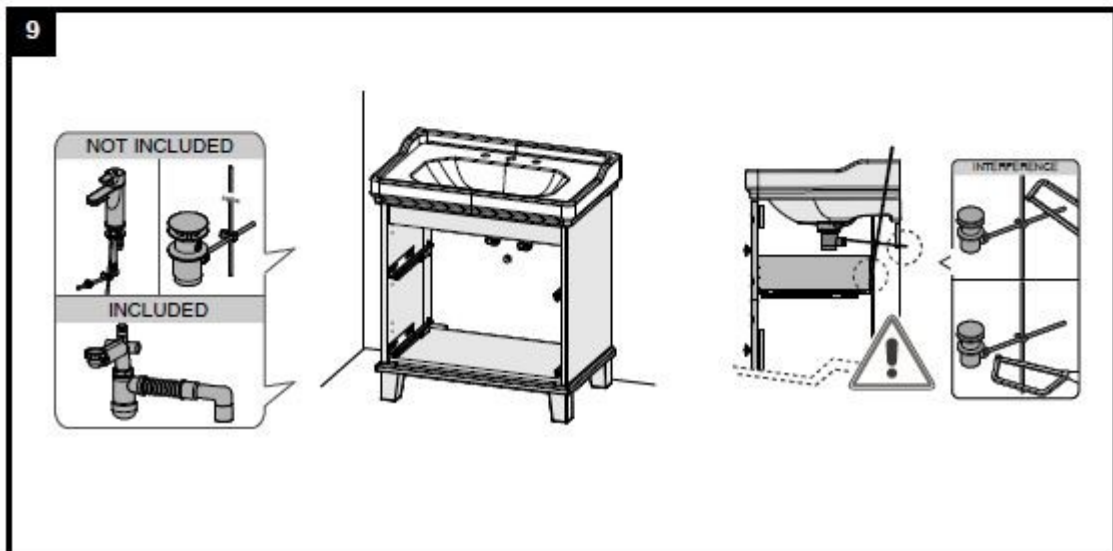
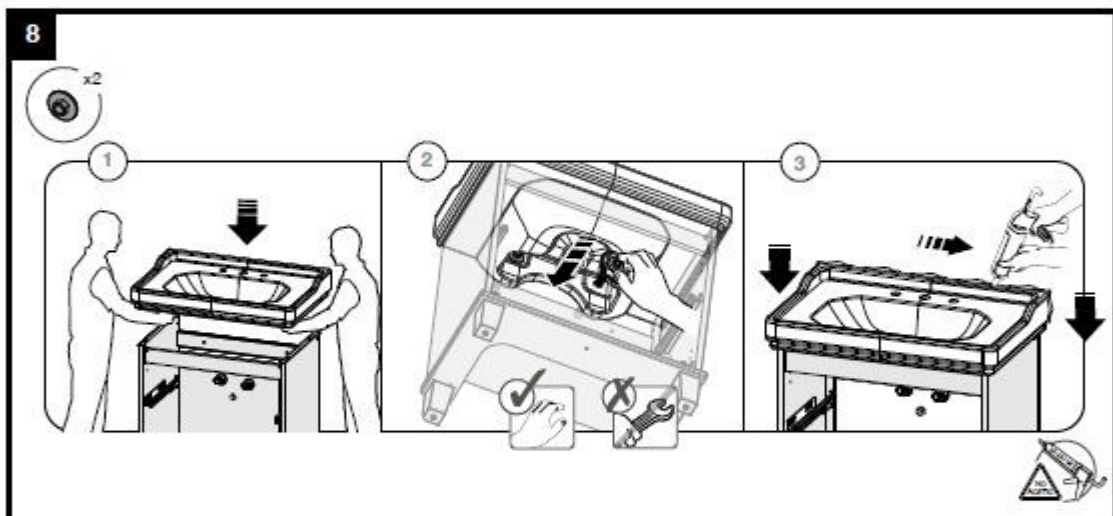
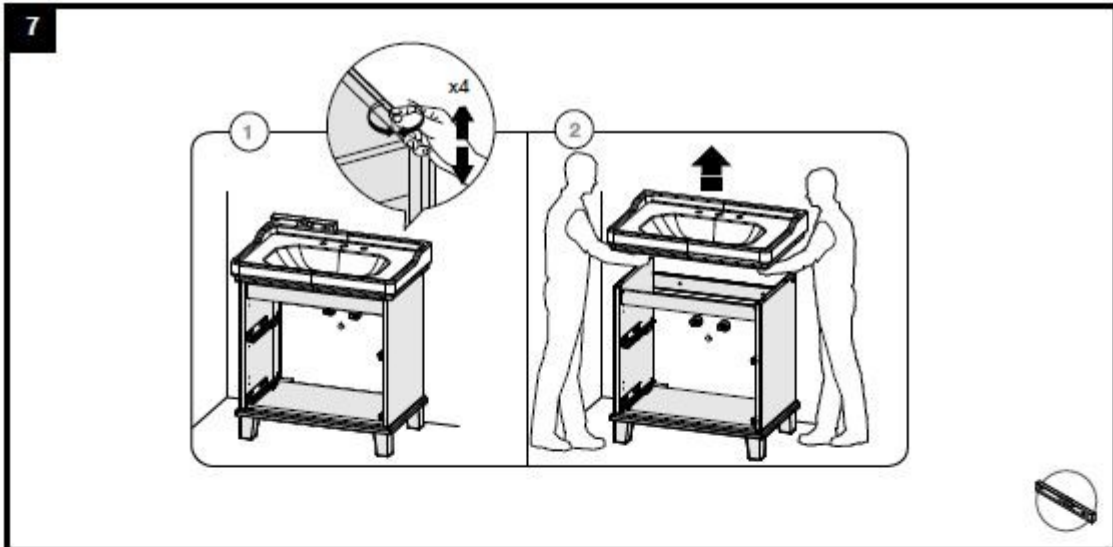


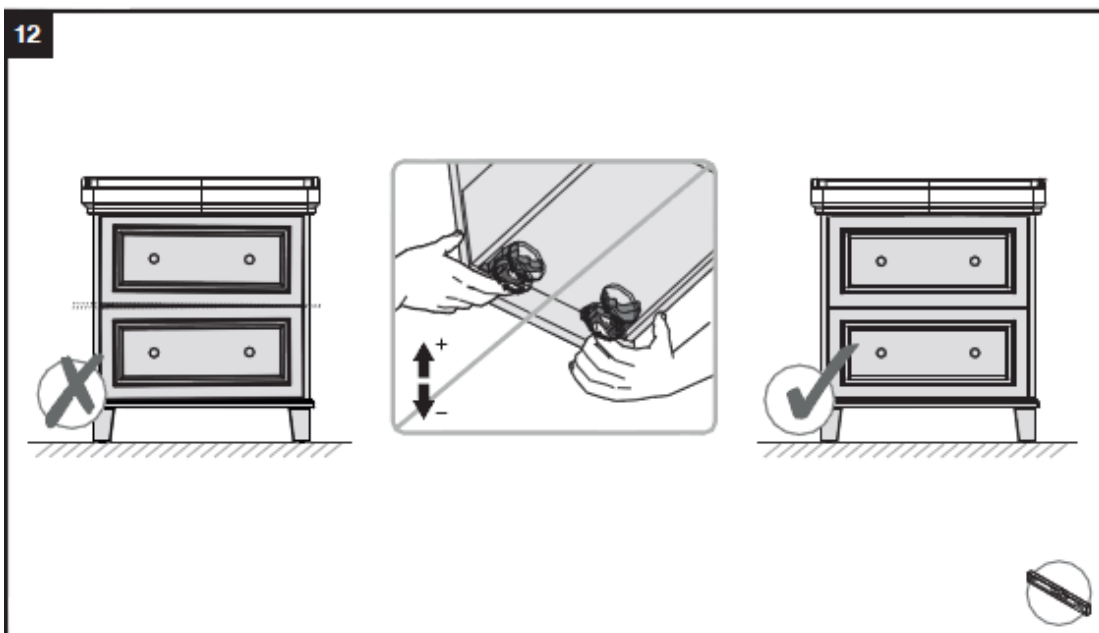
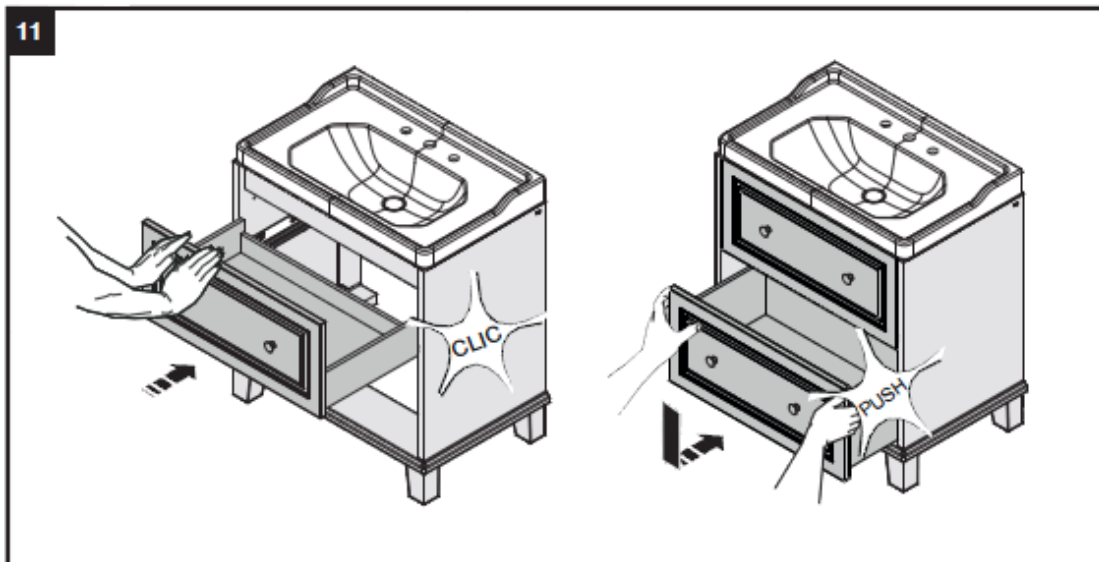
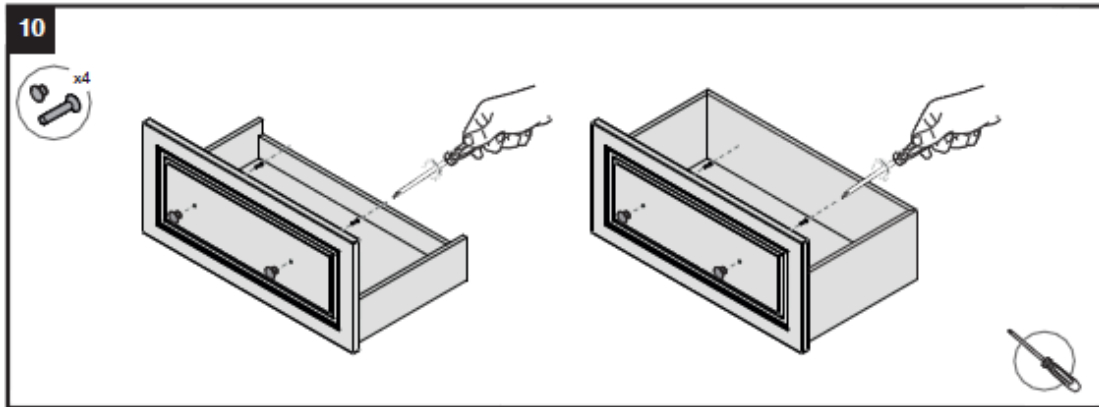
2 | OPTION A













PRODUCT BOOK

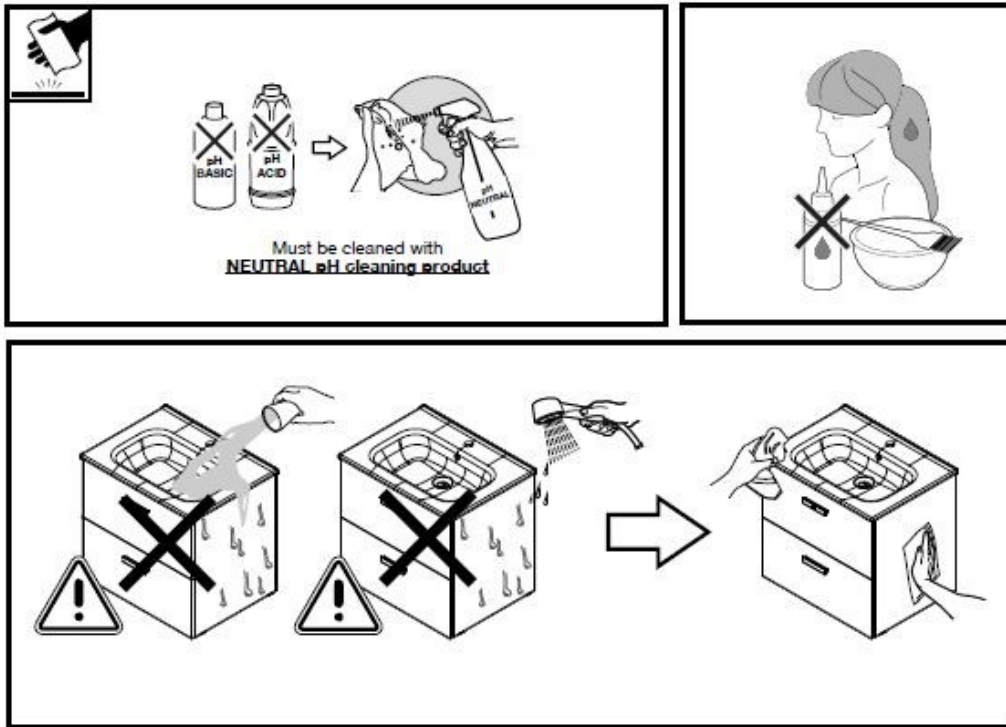
CARMEN

BATH FURNITURE

BREAKDOWN

8-18-34

Sheet 18



DIN A3



Roca Sanitario, S.A.
Avda. Diagonal, 513
08029 Barcelona
SPAIN
www.roca.com

933 661 266
LÍNEA DE ATENCIÓN
AL CONSUMIDOR
ESPAÑA
SERVICIO TÉCNICO
ESPAÑA




productsupport.rs@roca.net
soporteproducto.rs@roca.net

C40600124G-c