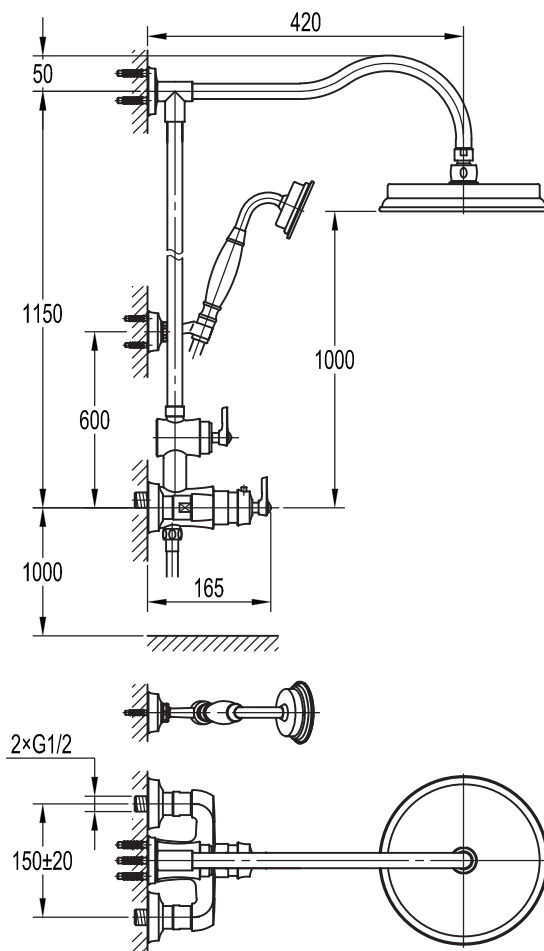


INSTRUCTION MANUAL

BS01901603

III. Installation Diagram



* The installation diagram is only for reference, the product is subject to the real object.

I. Installation Notice

1. Install water supply lines in accordance with this manual.
2. Floor drain must be installed in the location of the faucet.
3. Install faucets only after the completion of house interior decoration in case paint or other chemicals erode faucet surface.
4. Clean pipes before installation to get rid of mud, sand or other debris.
5. If the thread of pipes don't match well with product, please find out the reason first, otherwise a forced connection will damage the faucet.
6. After installation, check all the joints to make sure they are firmly connected. Then keep water flow. Turn on and off repeatedly to ensure there is no leakage around the joints. At this stage, the product is ready for normal use.
7. Keep the manual to the user.

II. Operation Notice

1. The working condition of this product is cold water temperature 4~29°C, hot water temperature 55~85°C and water pressure 0.05~1.0Mpa. Note to avoid the greater pressure difference between cold and hot water. The best use of product is when cold water temperature 15°C and hot water temperature 65°C under water pressure 0.3Mpa. The main valve must be with filter net.
2. Do not hang heavy things on the faucet.
3. Make sure faucet is off when no water comes out of it (especially when nobody resides in or during the period of decoration or absence of water).
4. Regularly clean the surface of the faucet in neutral wash solution.
Attention: do not use inappropriate tools such as sharp brushes, rough sponges, scouring pads or corrosive detergent to clean the faucet, and we do not recommend that you use the detergent sold in the market, because its formula is changing frequently. Please clean the faucet by wet cloth and soapy water after each time of usage. Then rinse the soap out with clean water and dry with a soft cotton cloth.
5. When the room temperature drops to below 0°C, take necessary measures (such as keeping faucet warm and closing windows) to prevent the faucet from being frozen or even broken (especially when windows kept open for air ventilation while nobody resides in).
6. Please adjust to comfortable temperature before washing to avoid scald.
7. Do not disassemble the product to avoid any damage.

IV. Installation Steps(Fig.1-17)

1

Prepare these tools.



Pencil



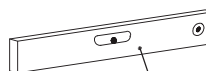
Teflon tape



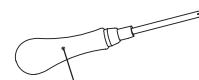
Ruler



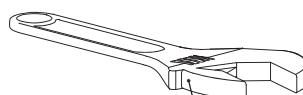
Goggles



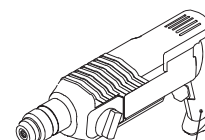
Spirit level



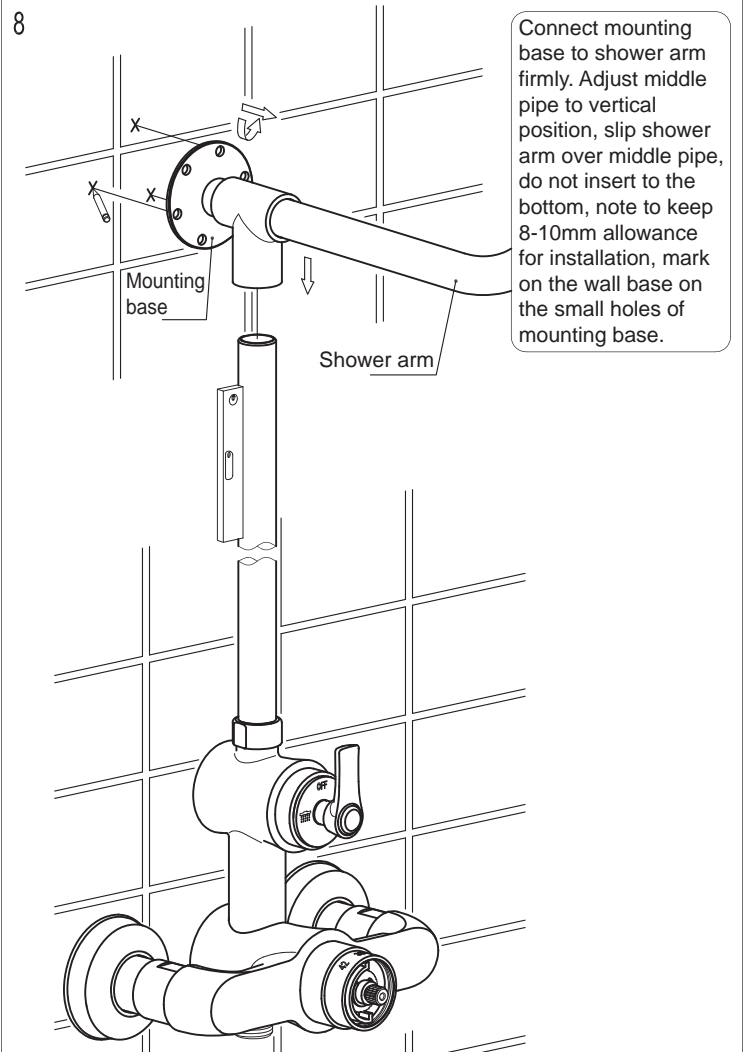
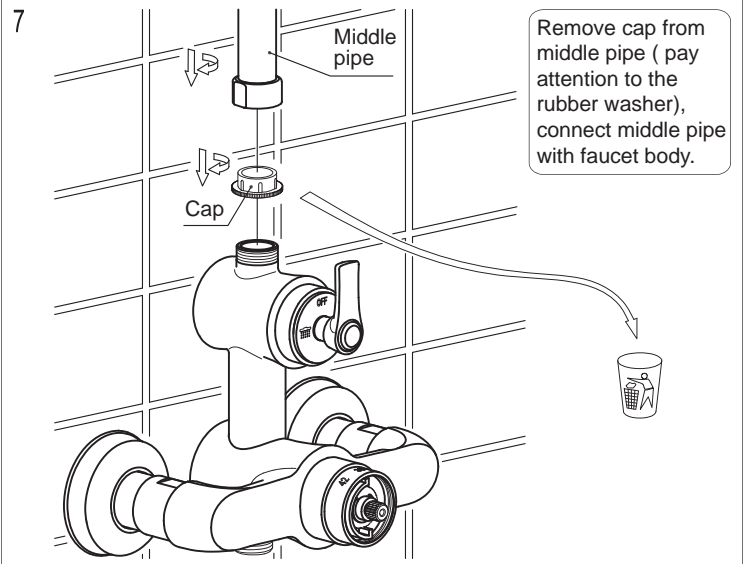
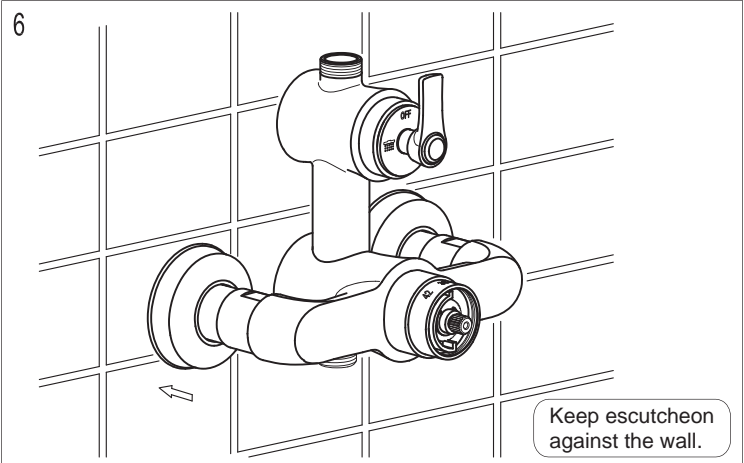
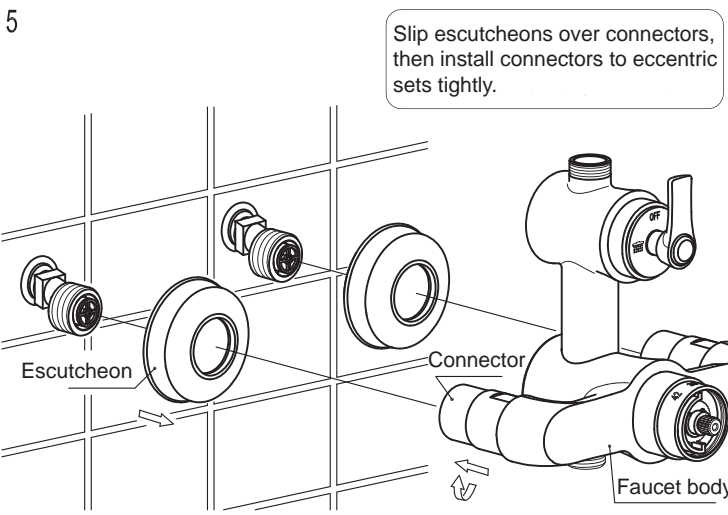
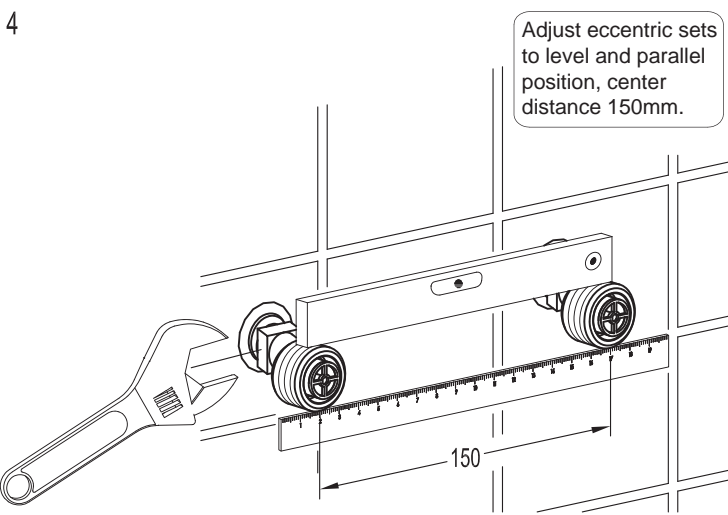
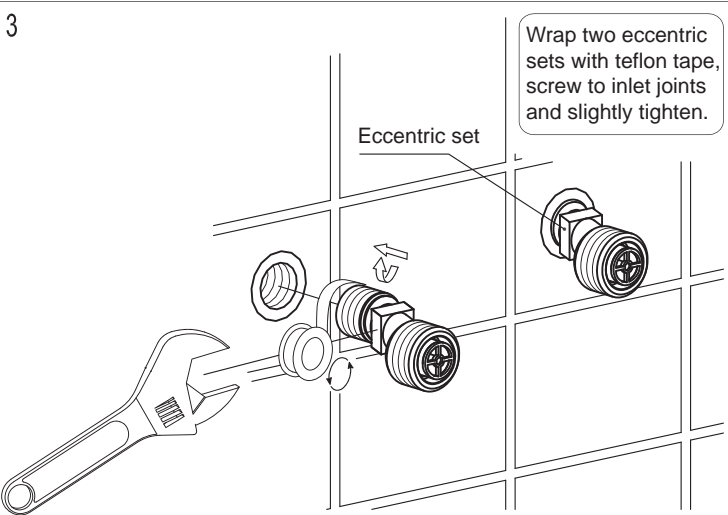
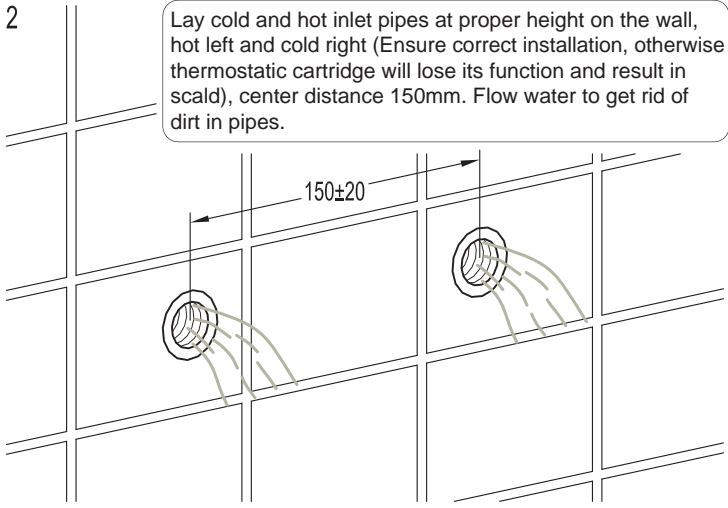
Phillips screwdriver

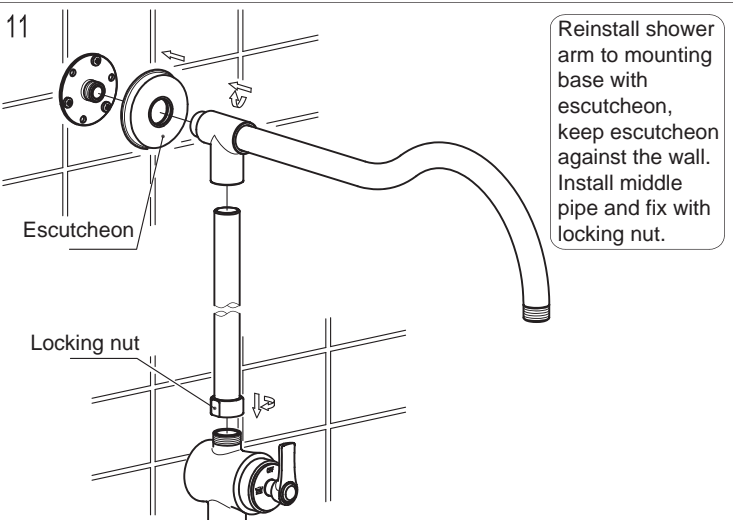
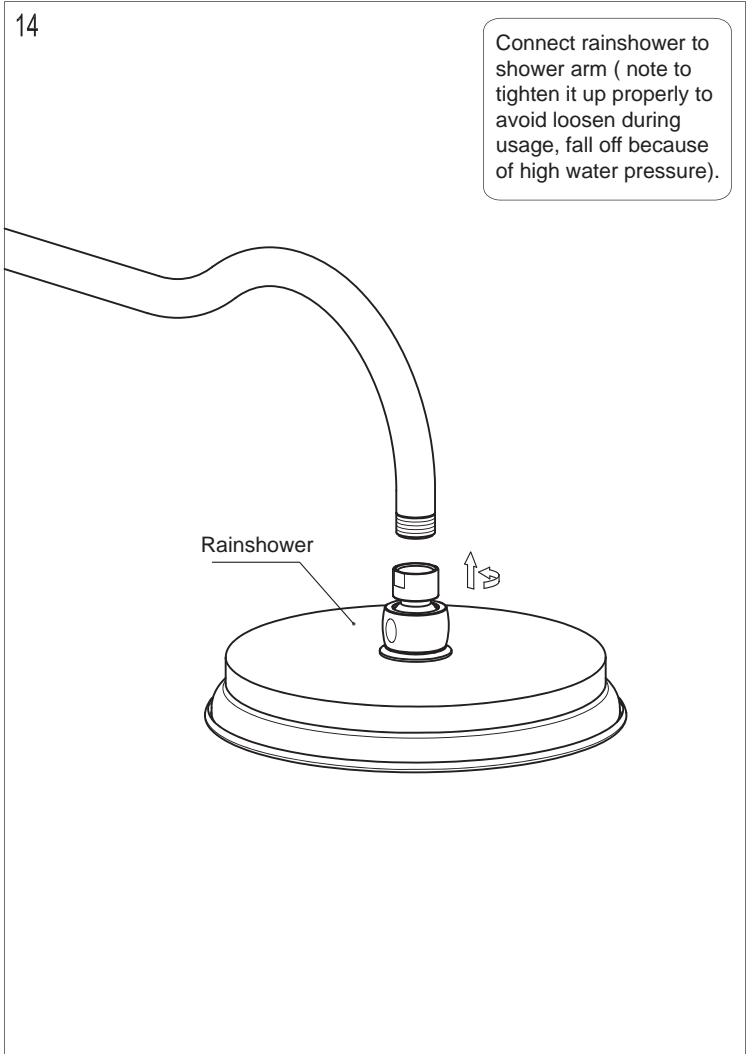
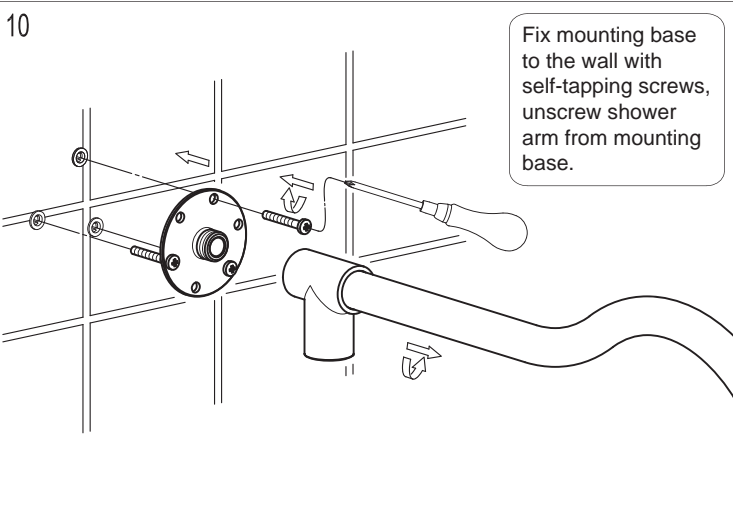
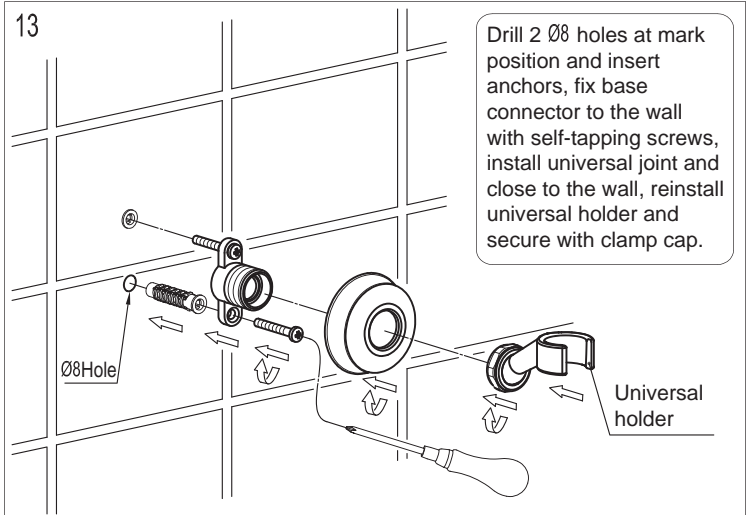
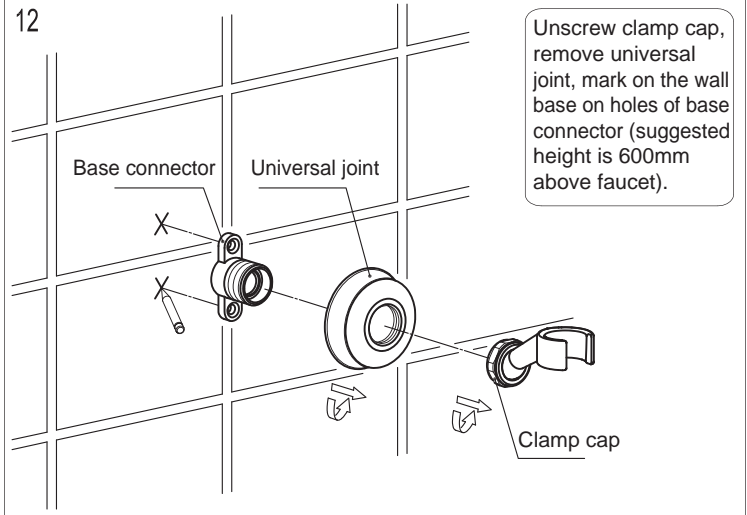
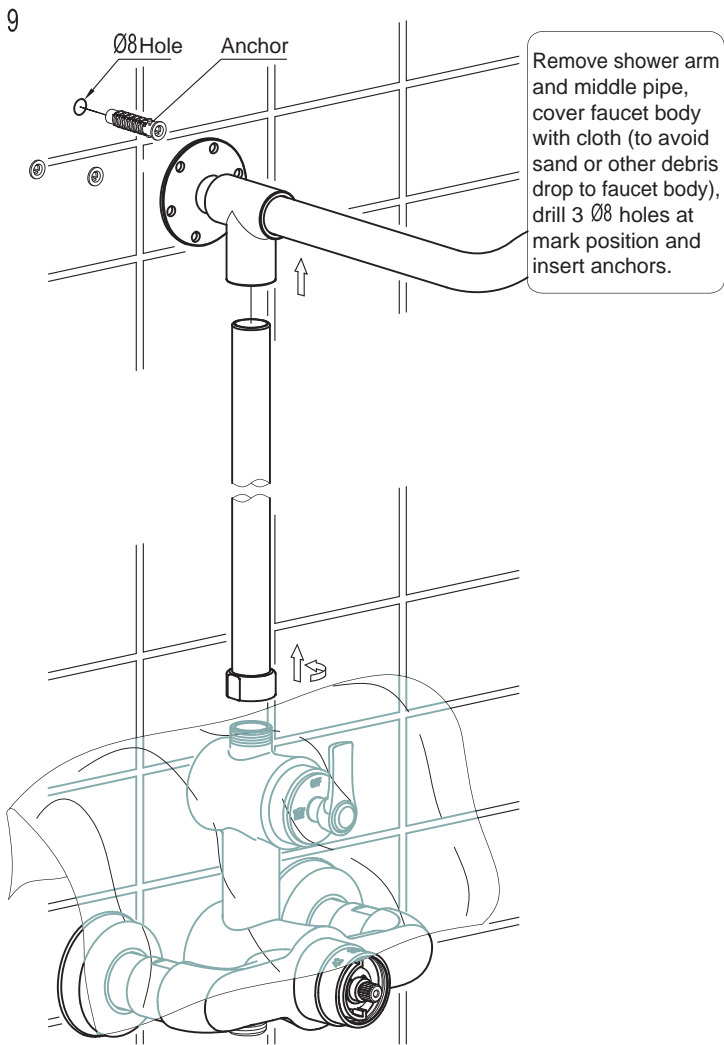


Spanner

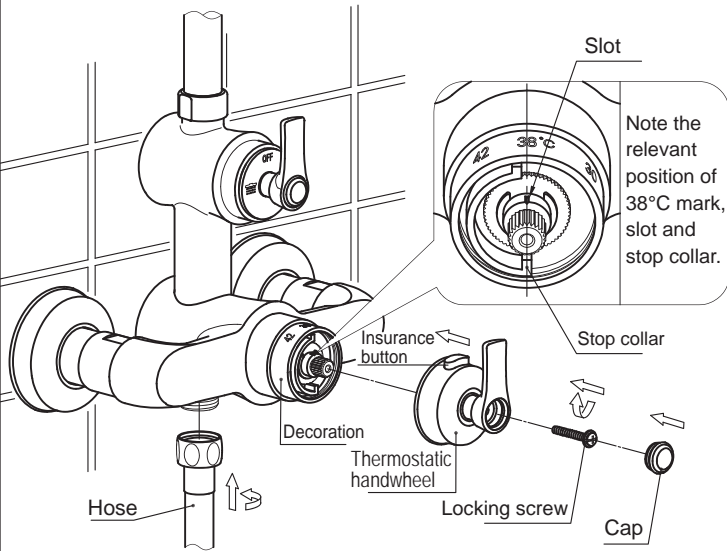
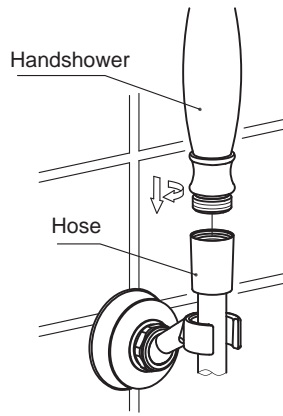


Drill

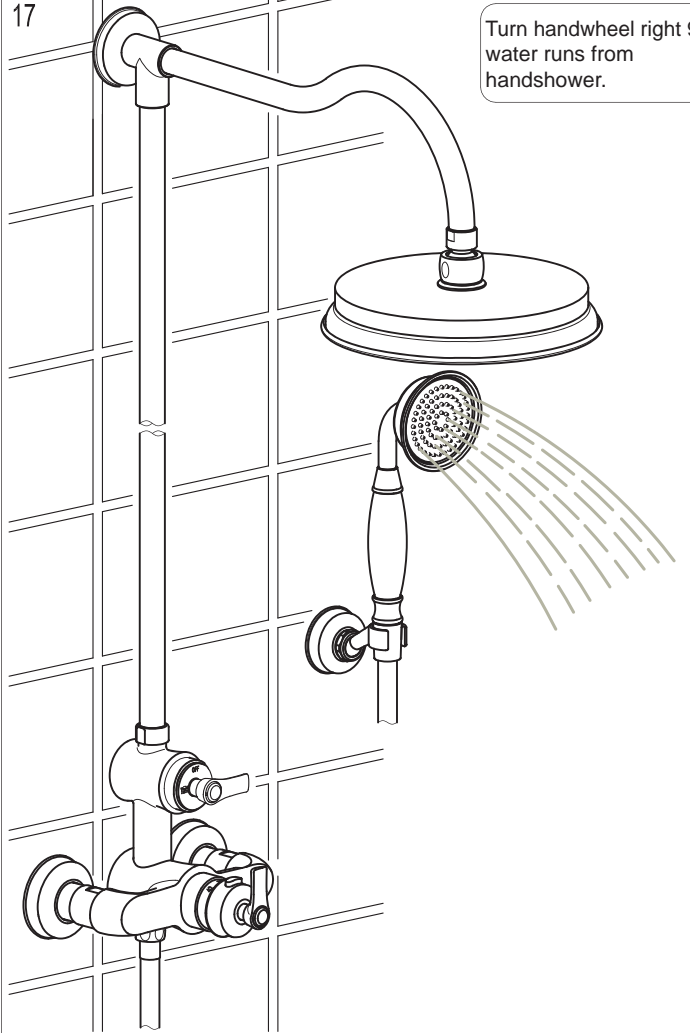




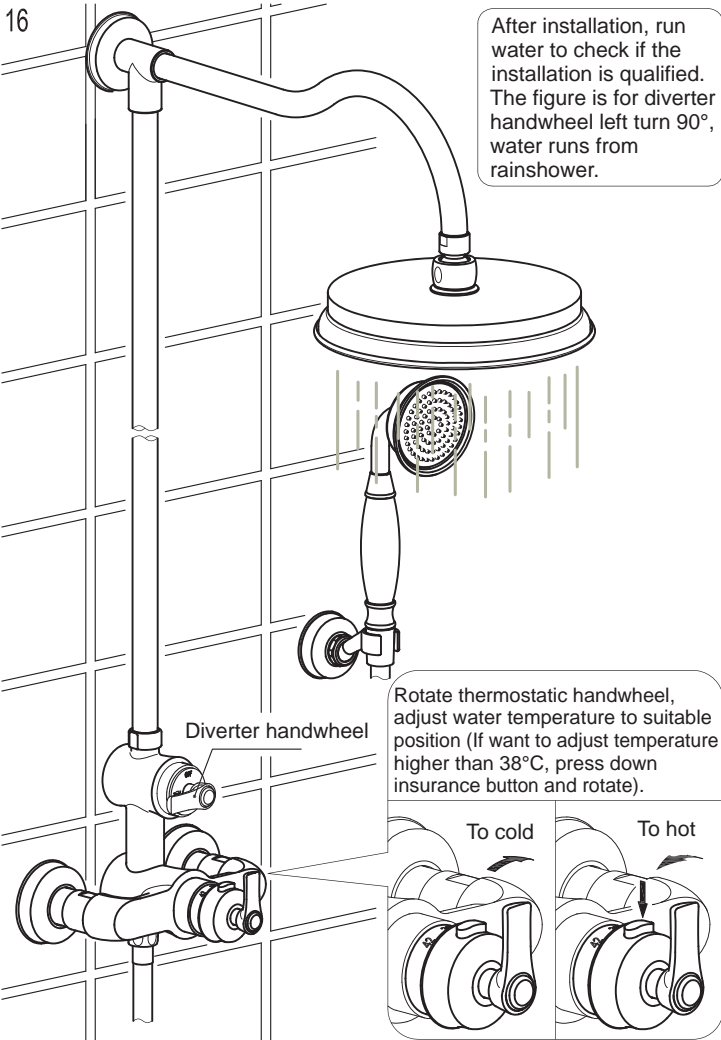
15 Connect handshower and faucet body with hose. Fix thermostatic handwheel to faucet body with locking screw (Note to keep the four parts in alignment: the slot on thermostatic cartridge mandrel, stop collar, 38°C mark on decoration and insurance button on handwheel), insert cap.



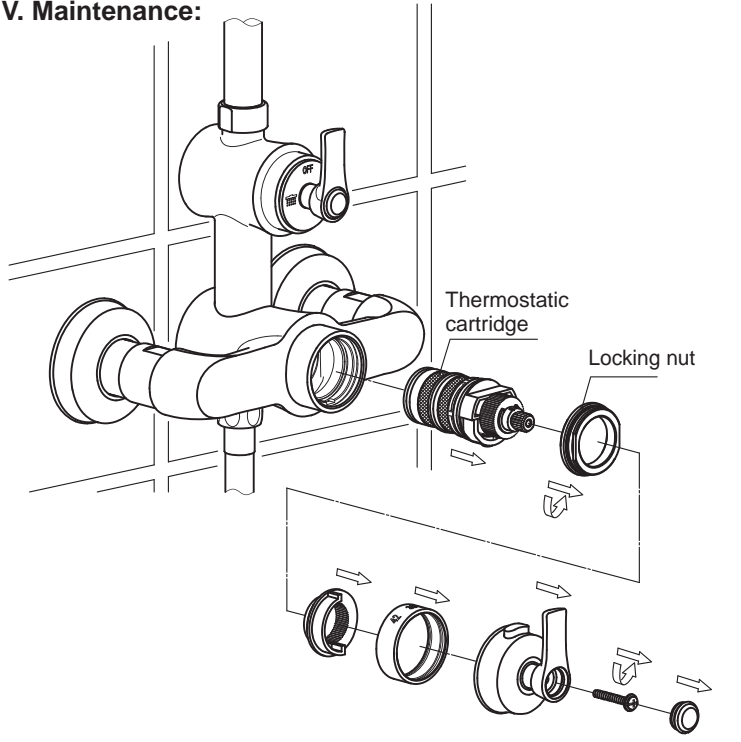
17 Turn handwheel right 90°, water runs from handshower.



16 After installation, run water to check if the installation is qualified. The figure is for diverter handwheel left turn 90°, water runs from rainshower.



V. Maintenance:



If flow rate is lessened or temperature control is imprecise after a period of usage, possibly because poor water block the filter net of thermostatic cartridge. Cleaning method: first, turn off the main inlet valve, pick out cap by a sharp point tool, remove locking screw, thermostatic handwheel, decoration, stop collar and locking nut, pull out thermostatic cartridge and clean the filter net with brush and vinegar, then reinstall all parts. When install back, note to keep the four parts in alignment: the slot on thermostatic cartridge mandrel, stop collar, 38°C mark on decoration and insurance button on thermostatic handwheel.