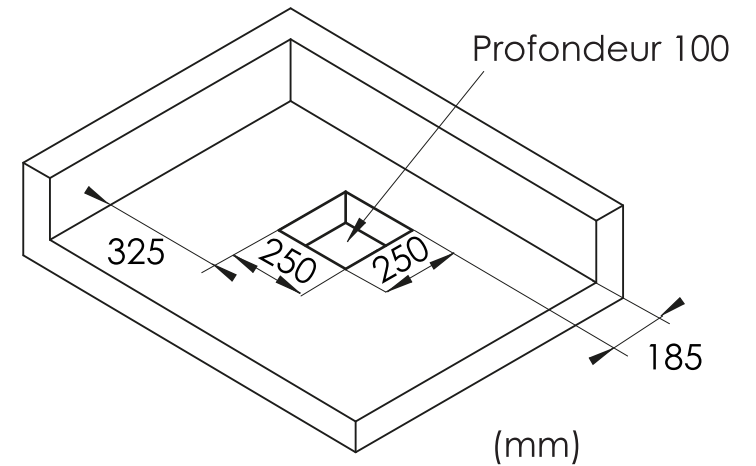
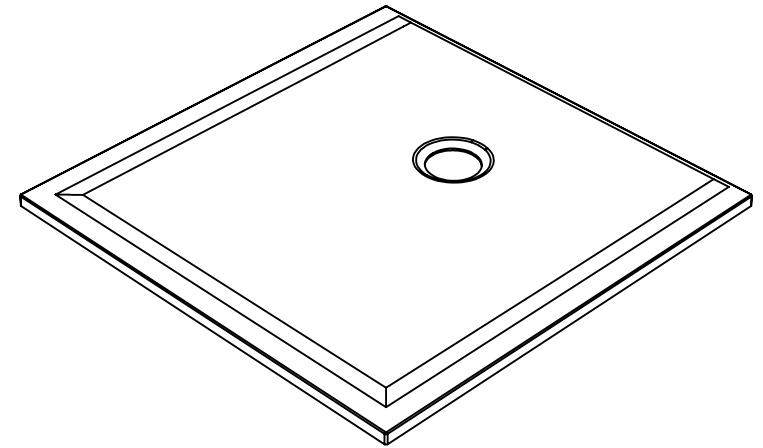
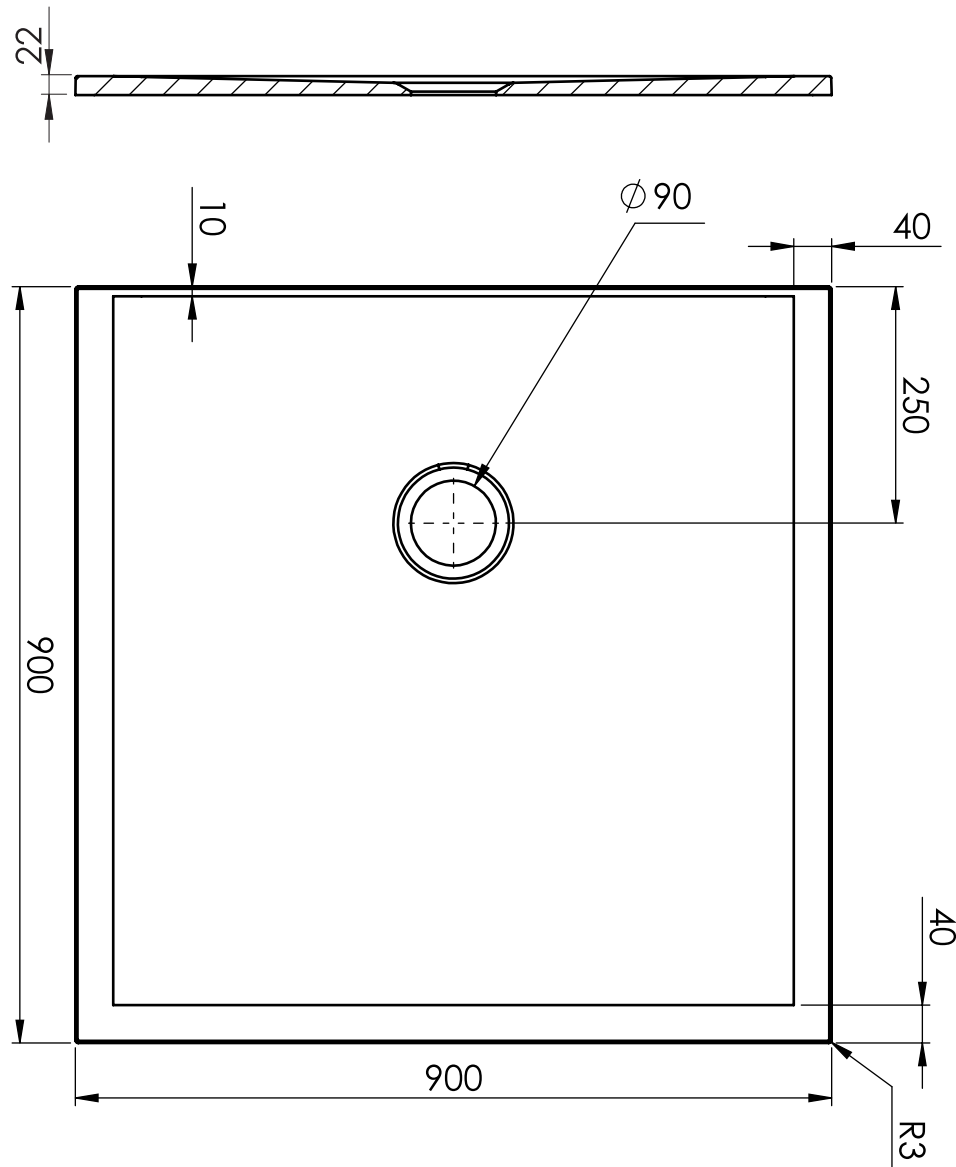


patented and registered design

827135

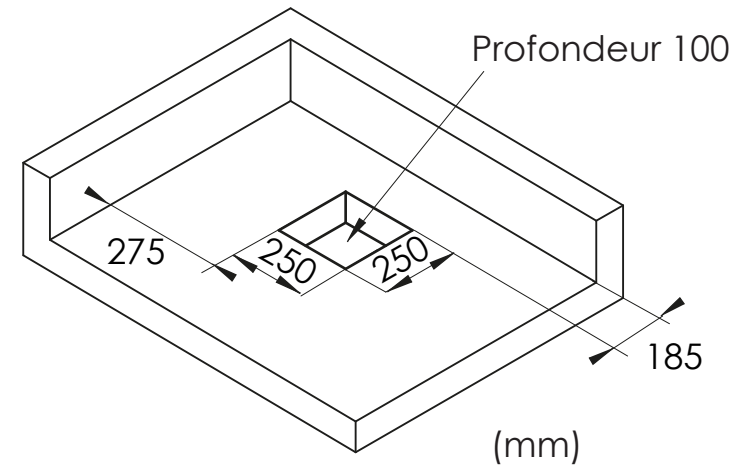
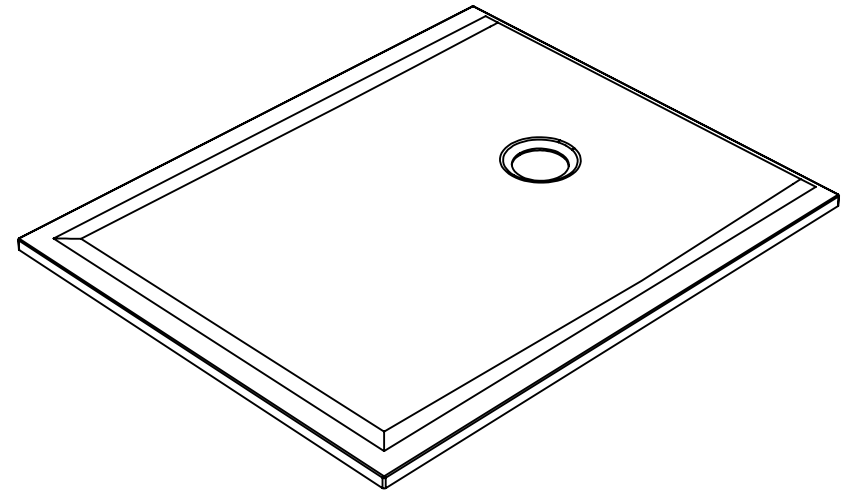
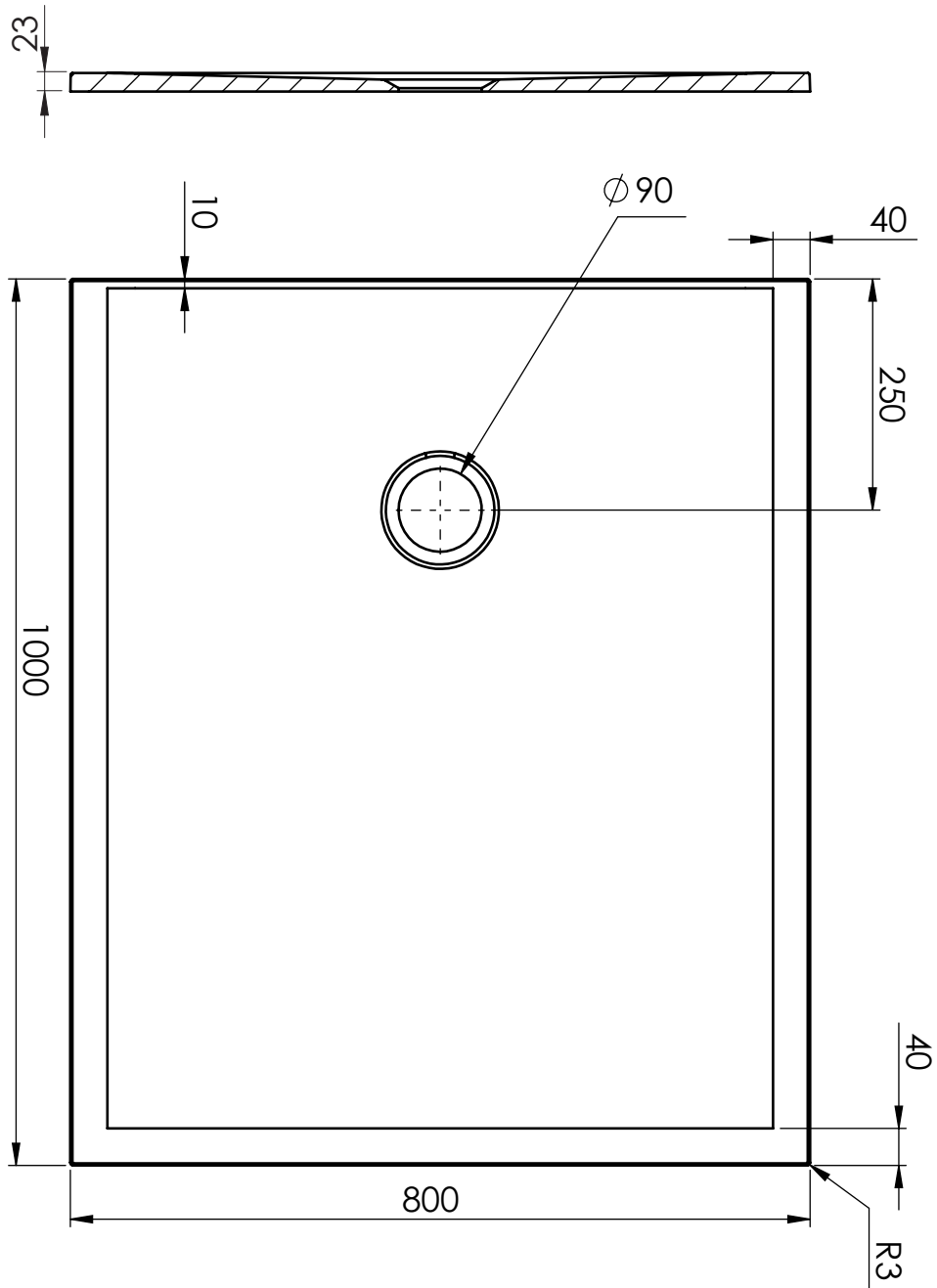
Revision : A1



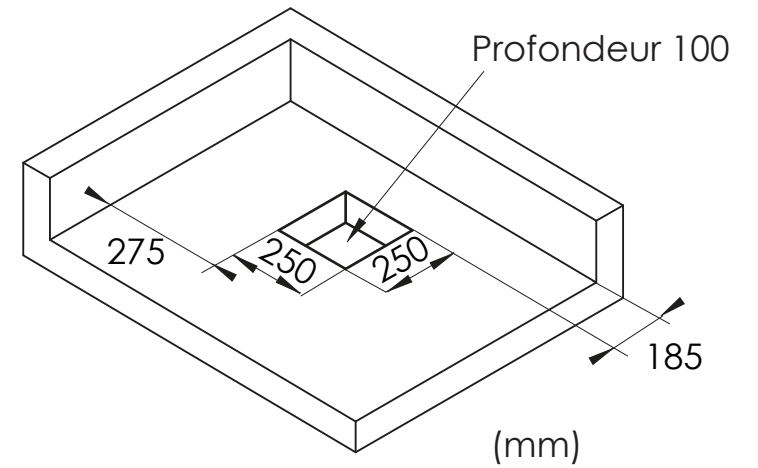
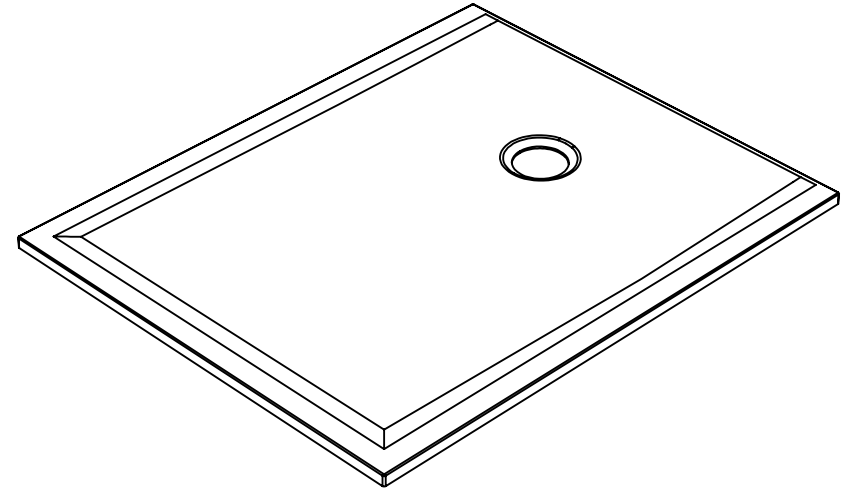
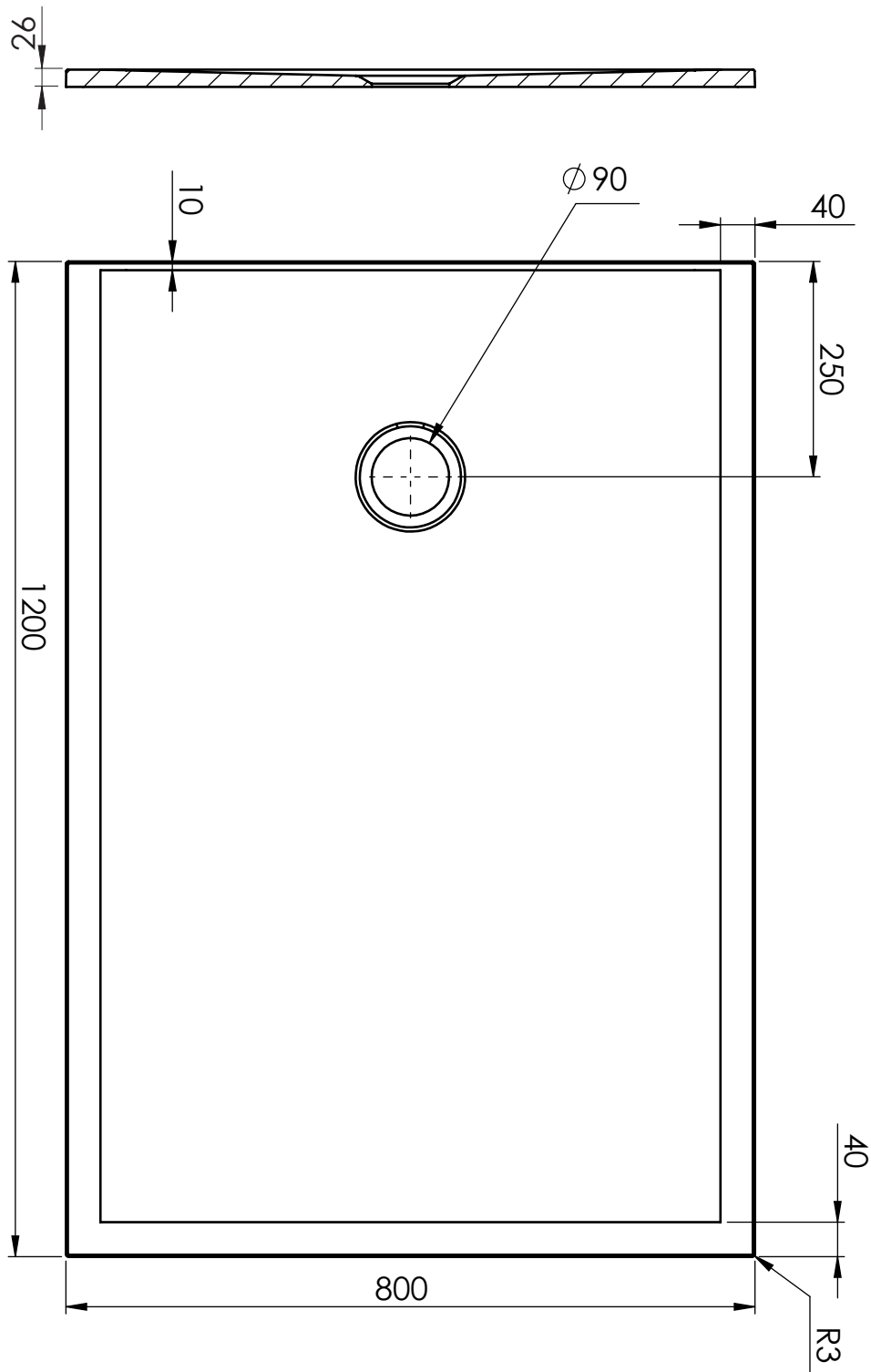
patented and registered design

827136

Revision : A1



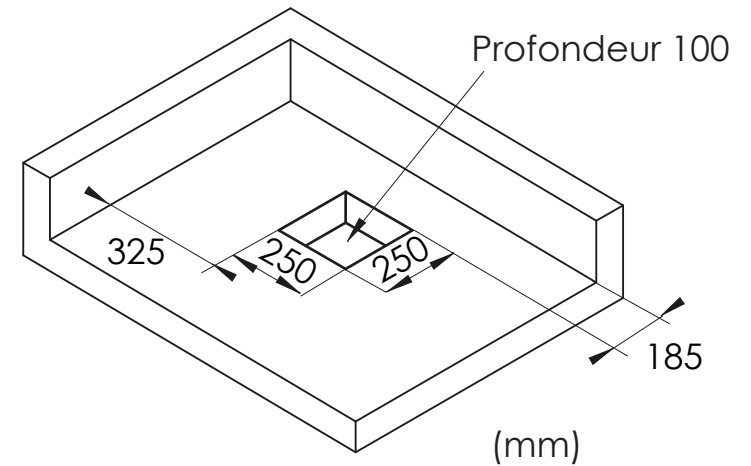
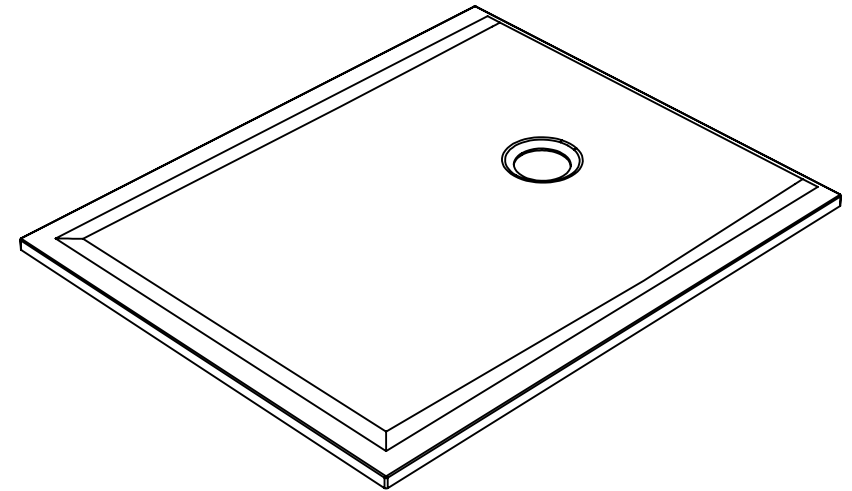
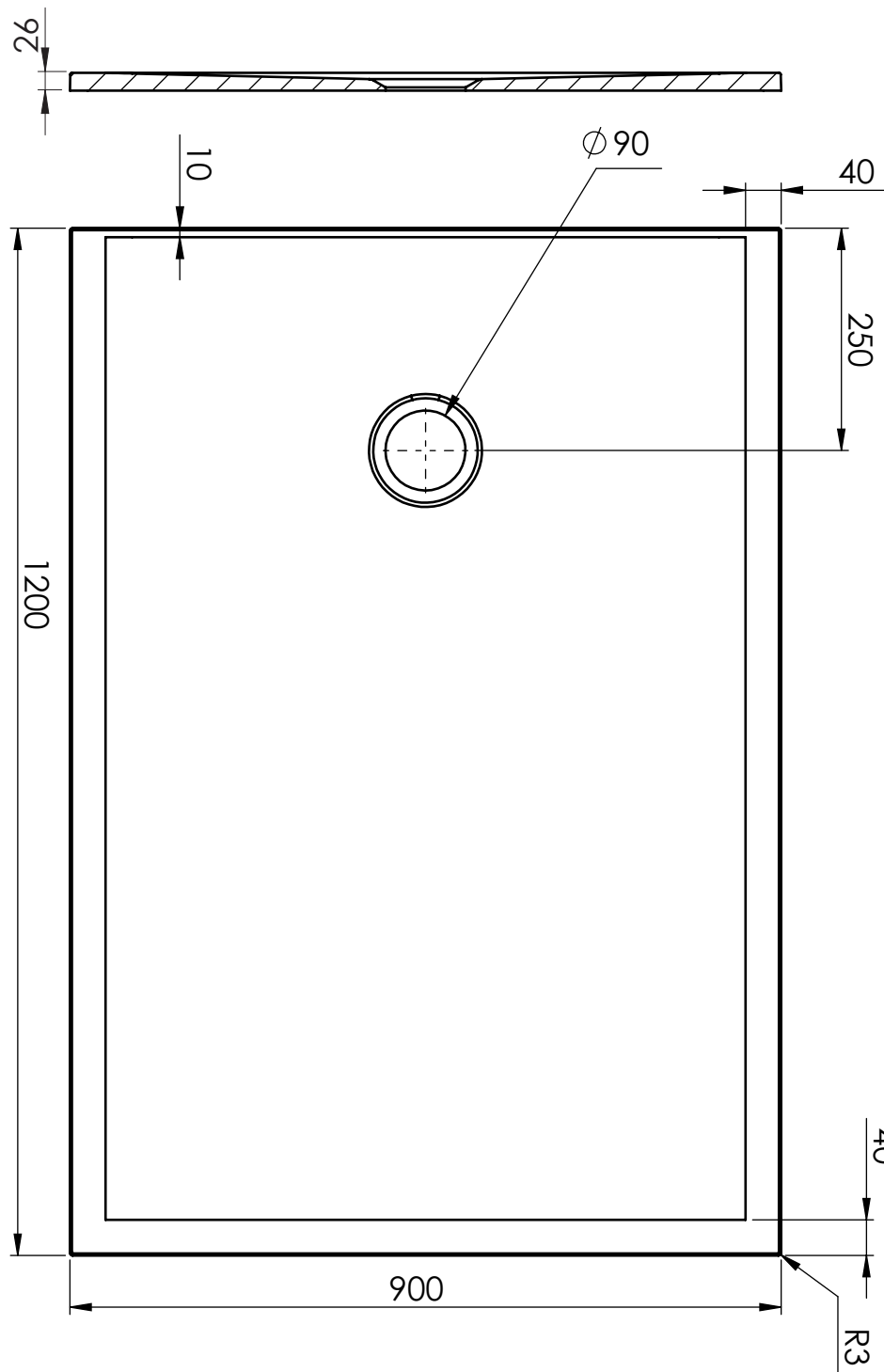
patented and registered design
827137
 Revision : A1



patented and registered design

827138

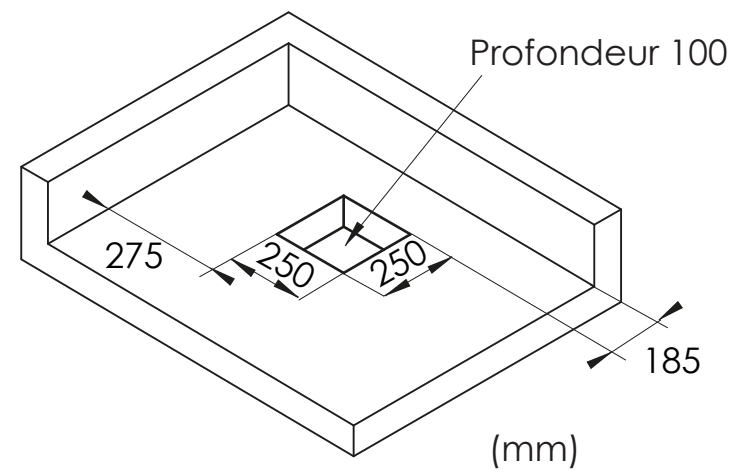
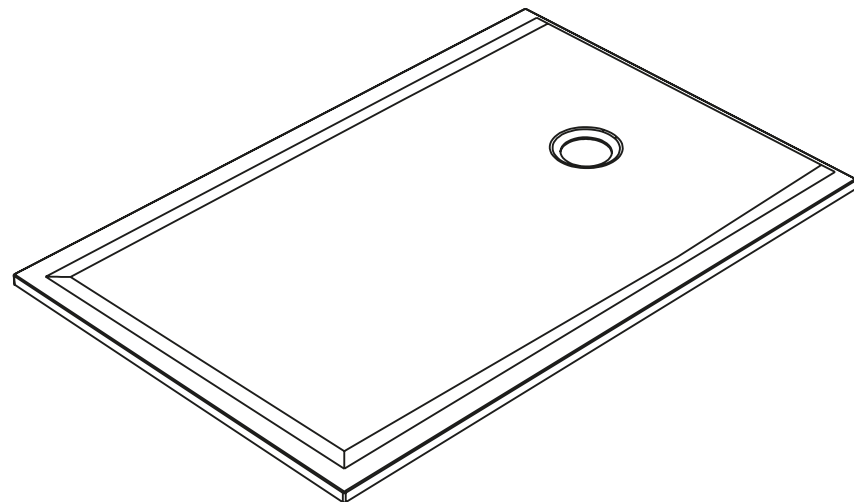
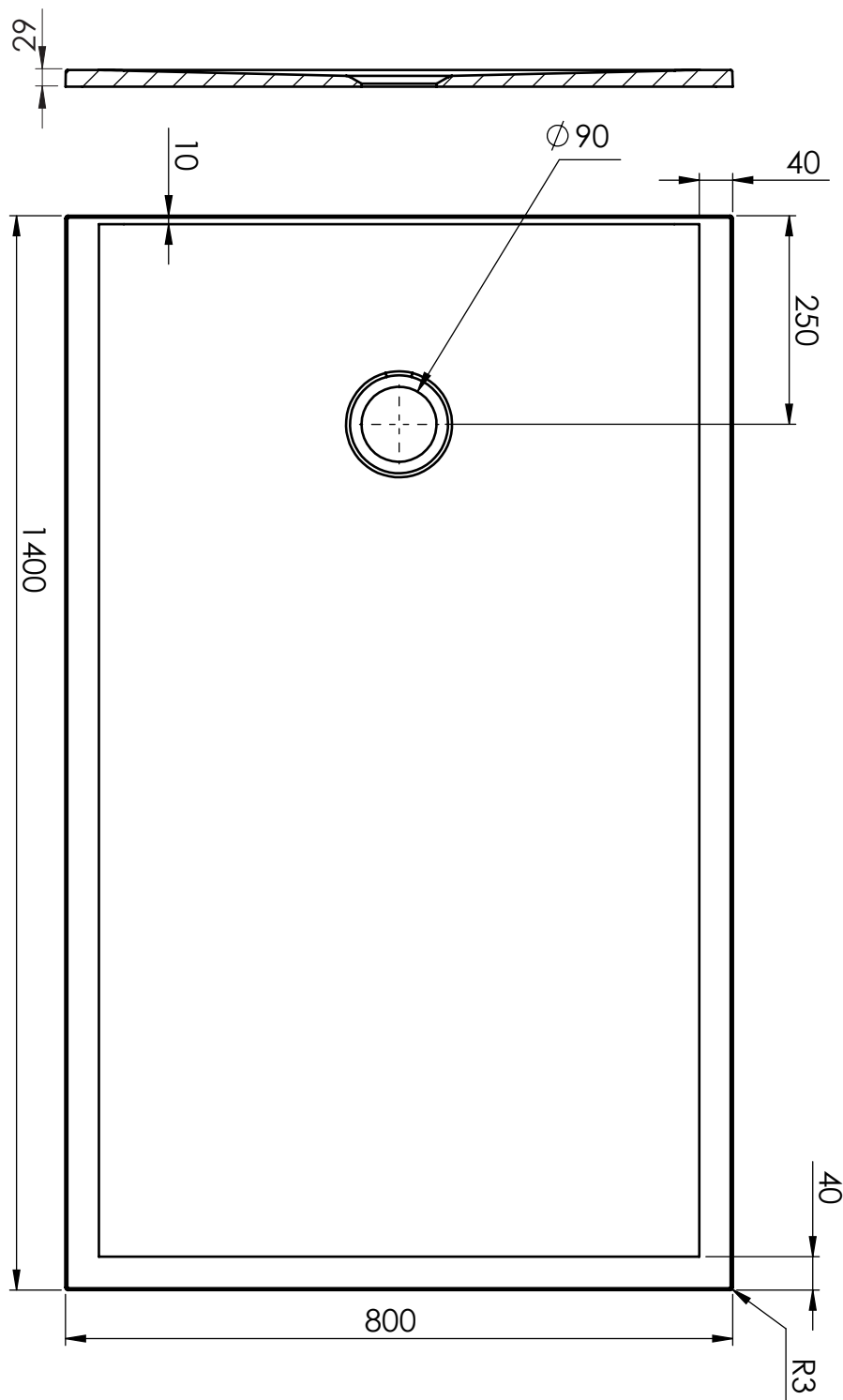
Revision : A1



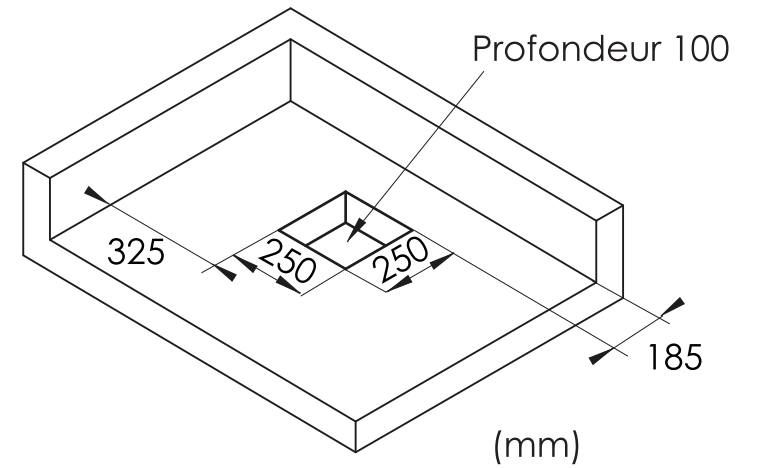
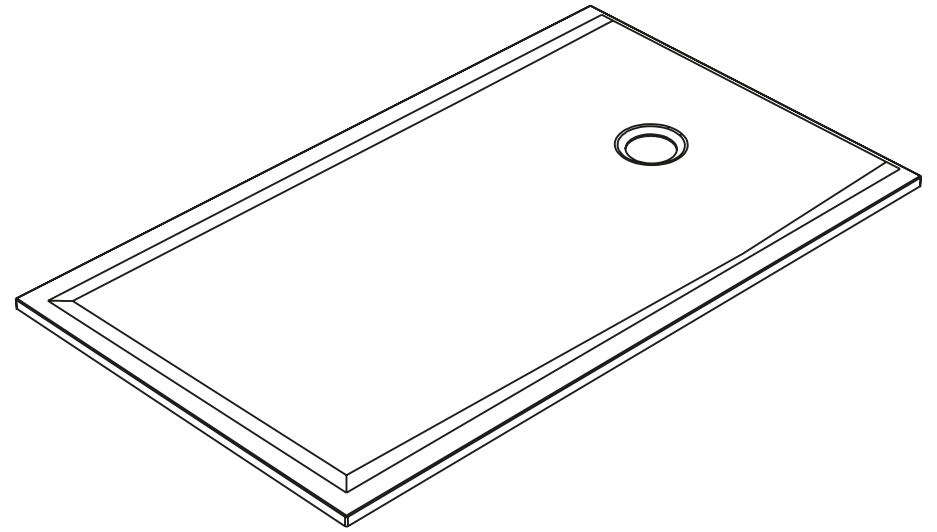
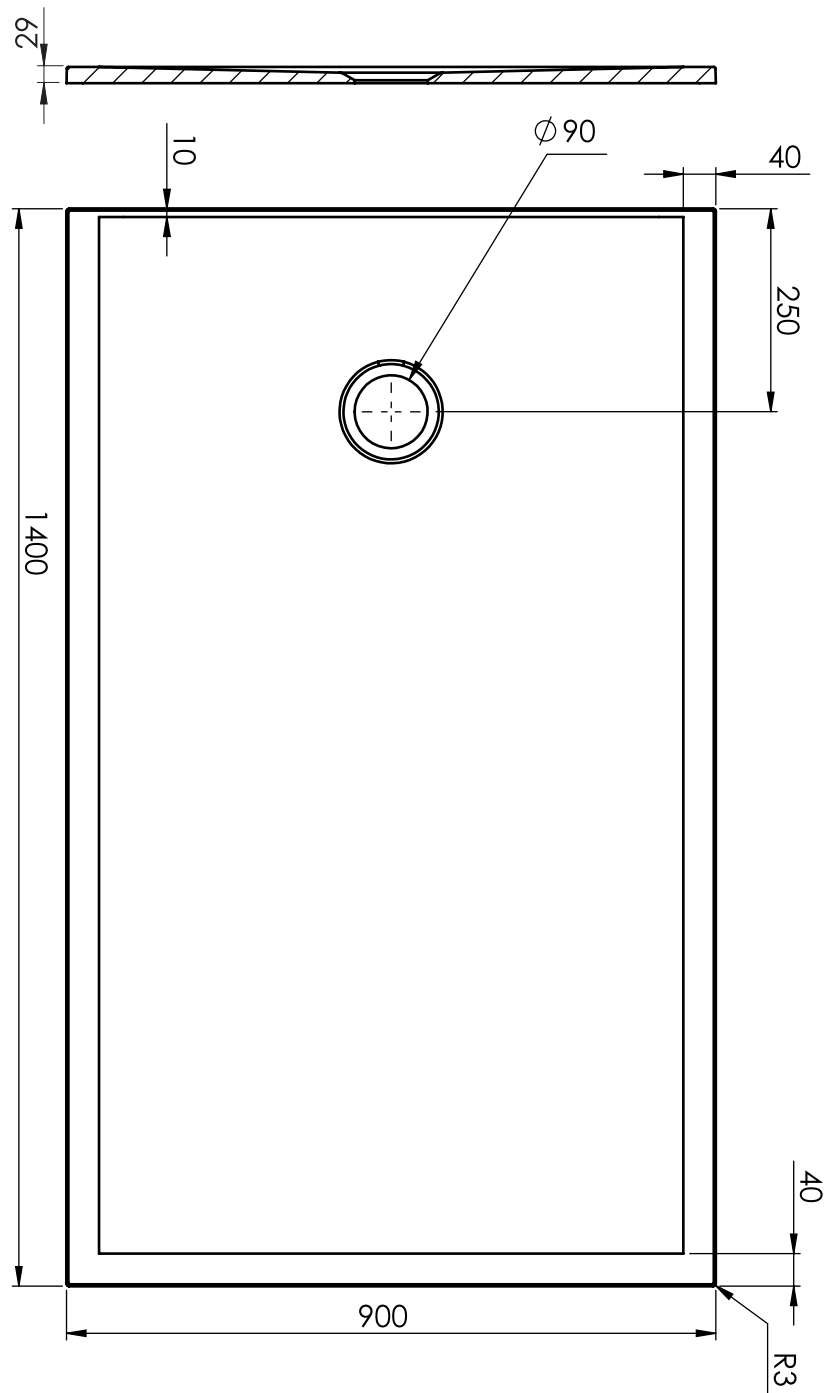
patented and registered design

827139

Revision : A1



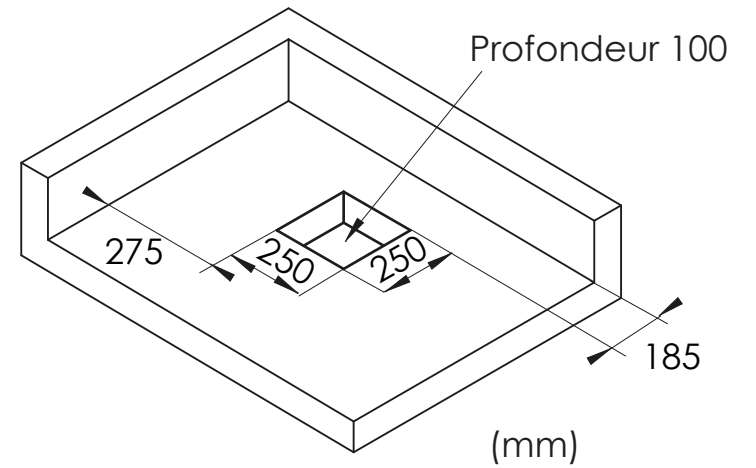
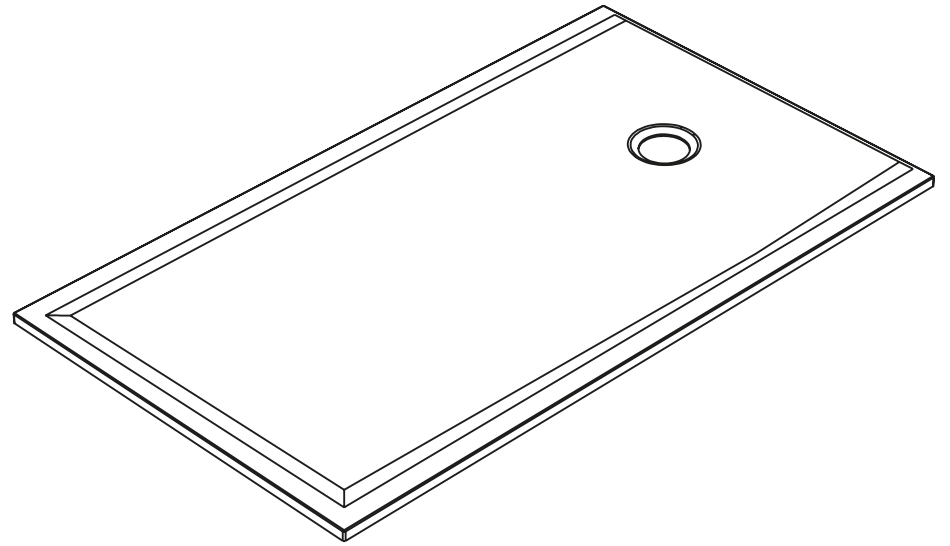
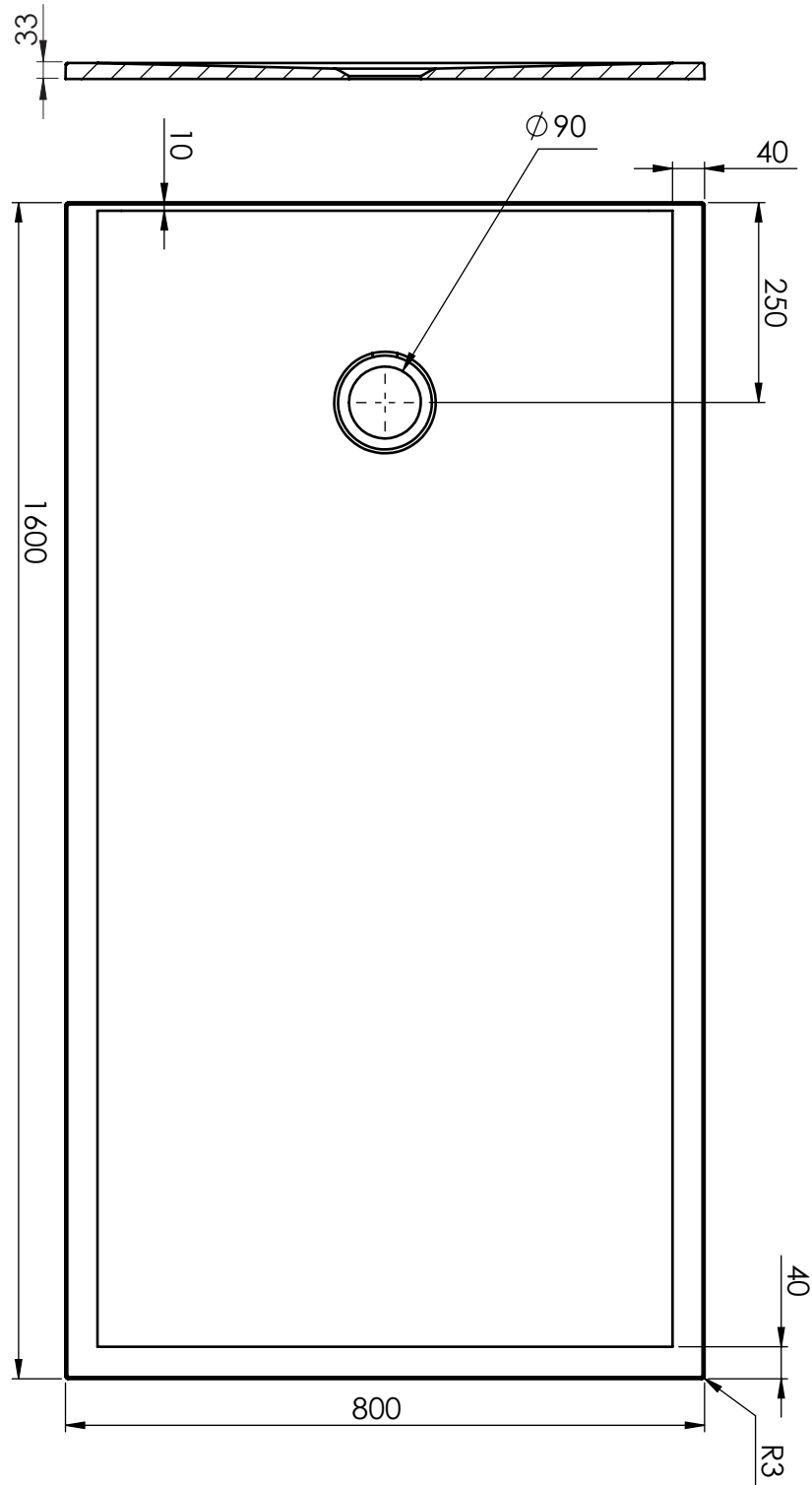
patented and registered design
827140
 Revision : A1



patented and registered design

827141

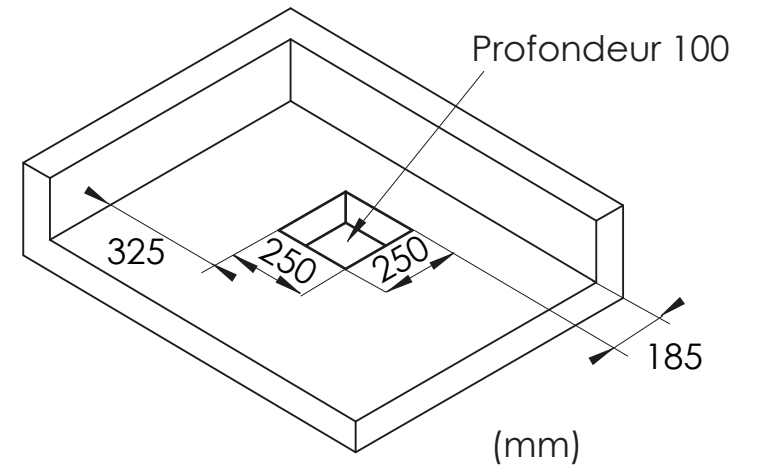
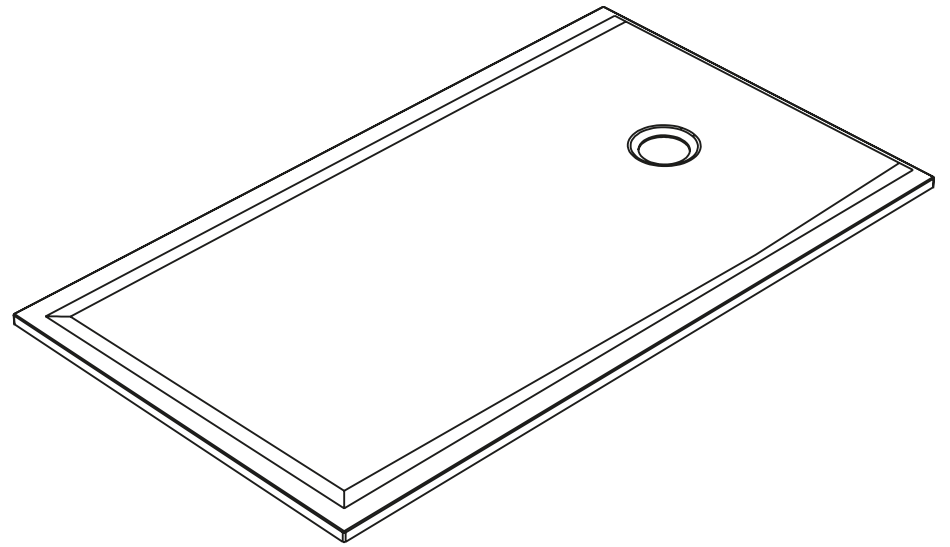
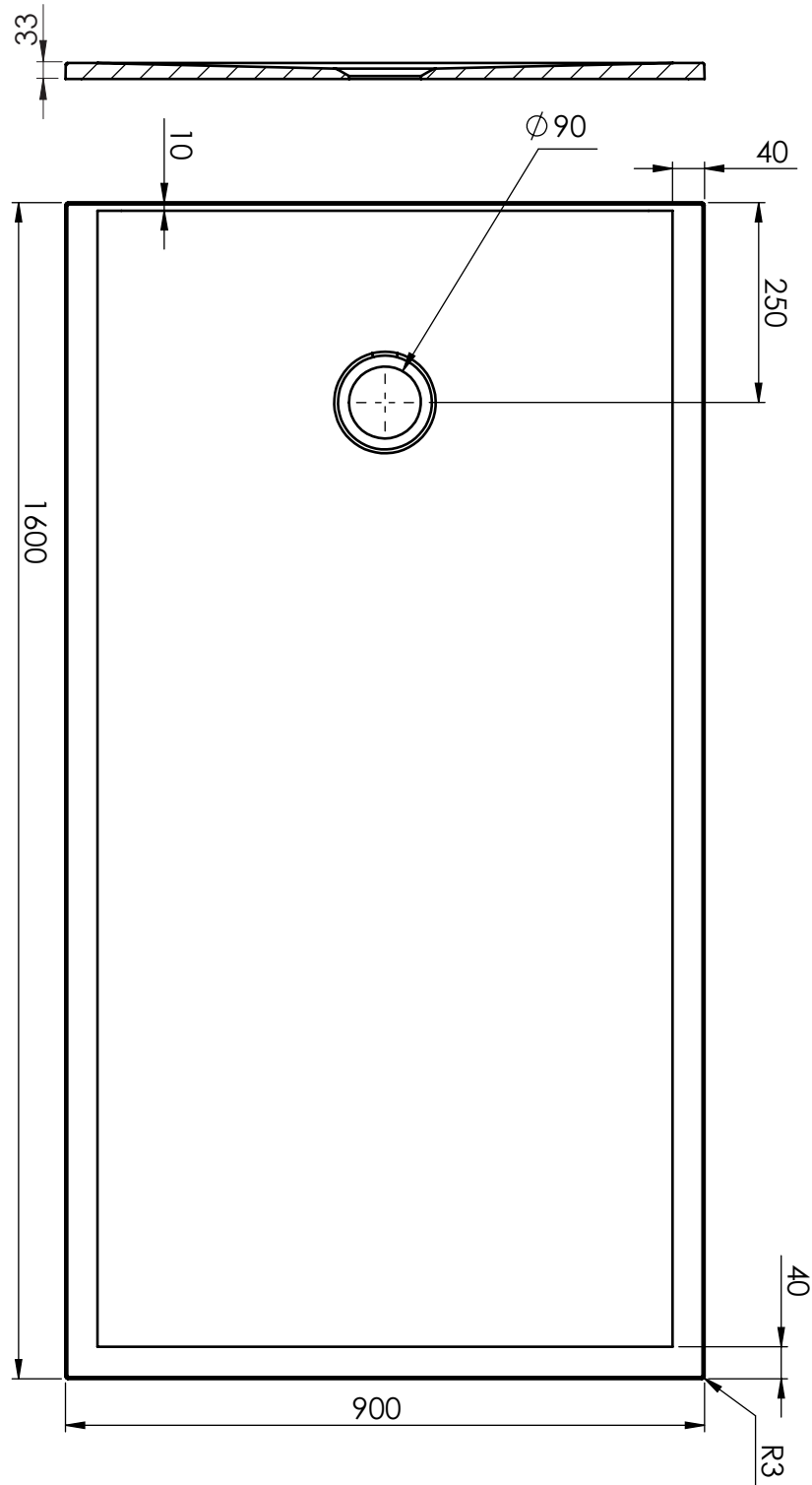
Revision : A1



patented and registered design

827142

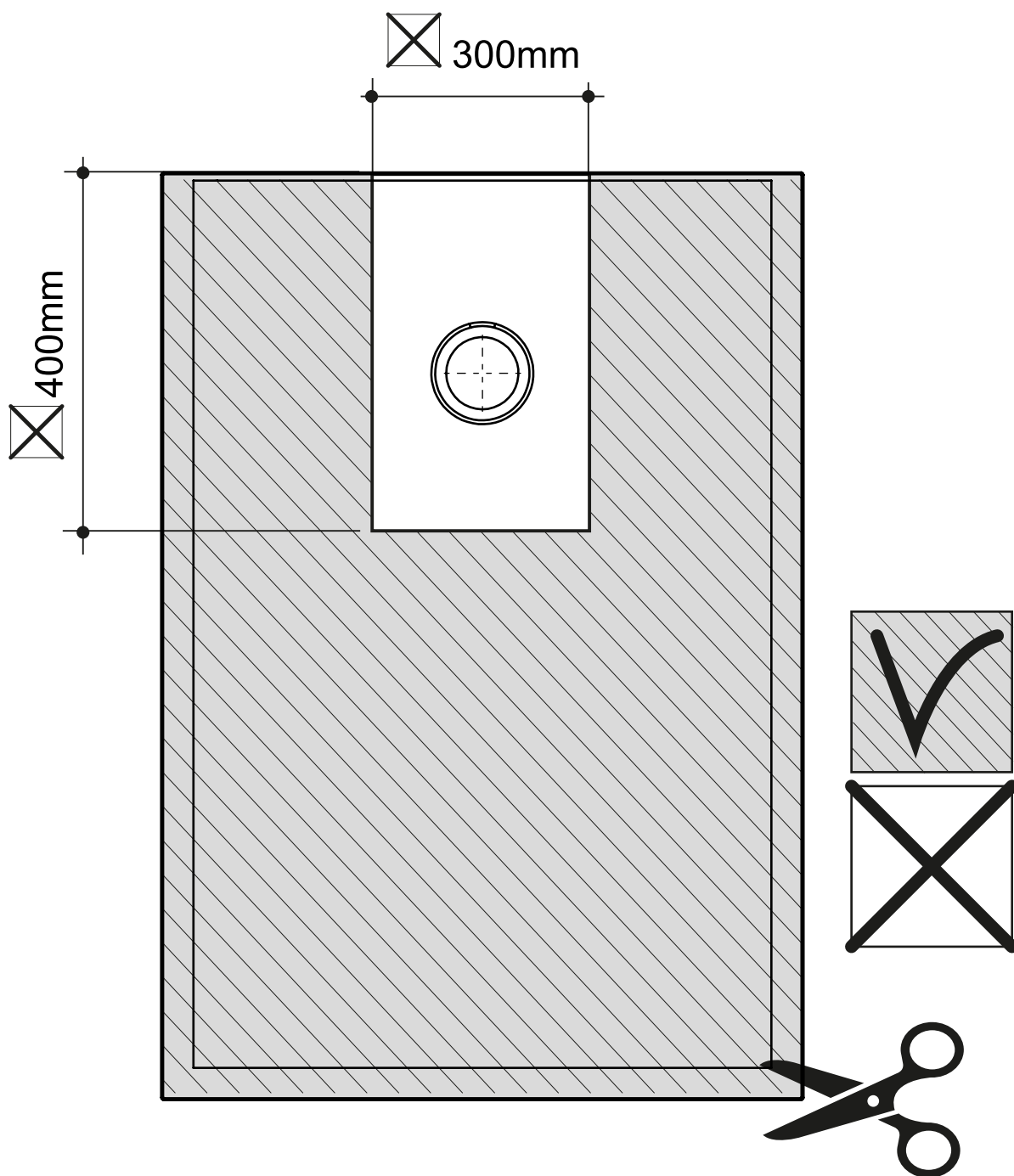
Revision : A1



patented and registered design

827143

Revision : A1



Zone découpe KARBON-KONTACT
Revision : A1