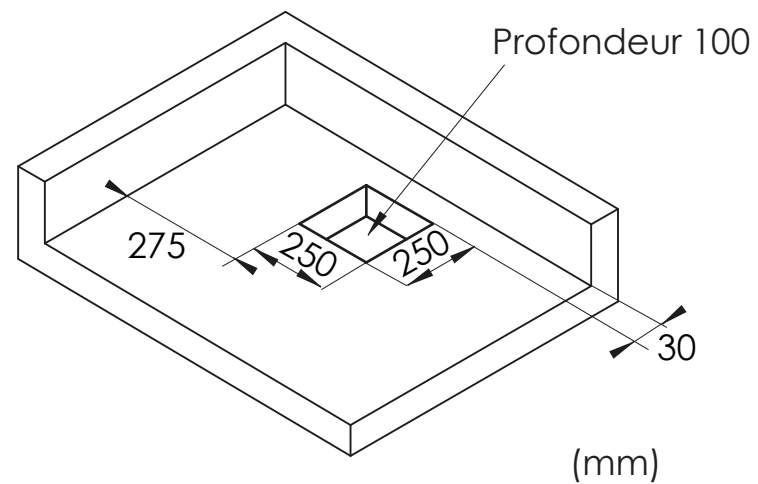
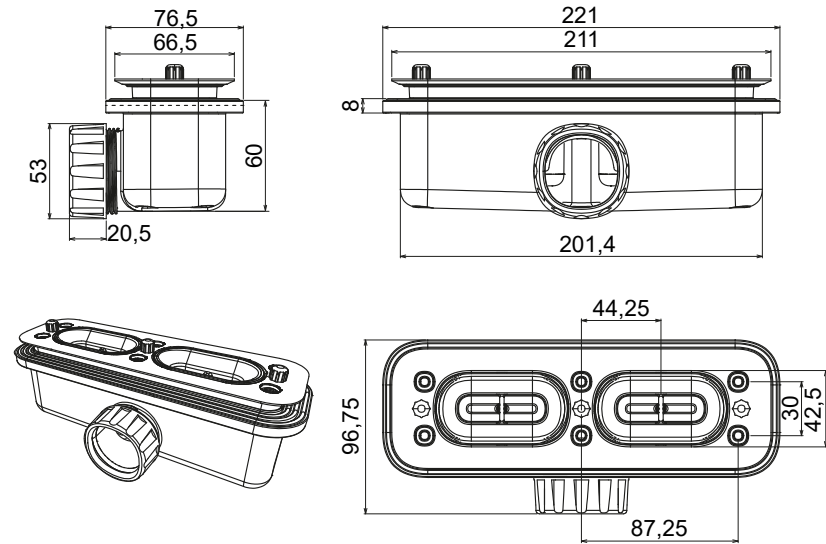
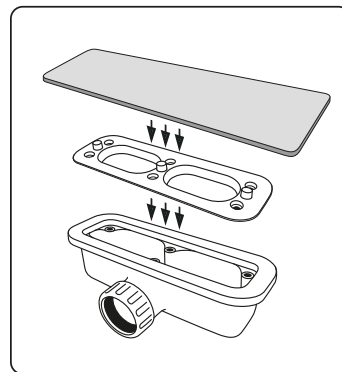
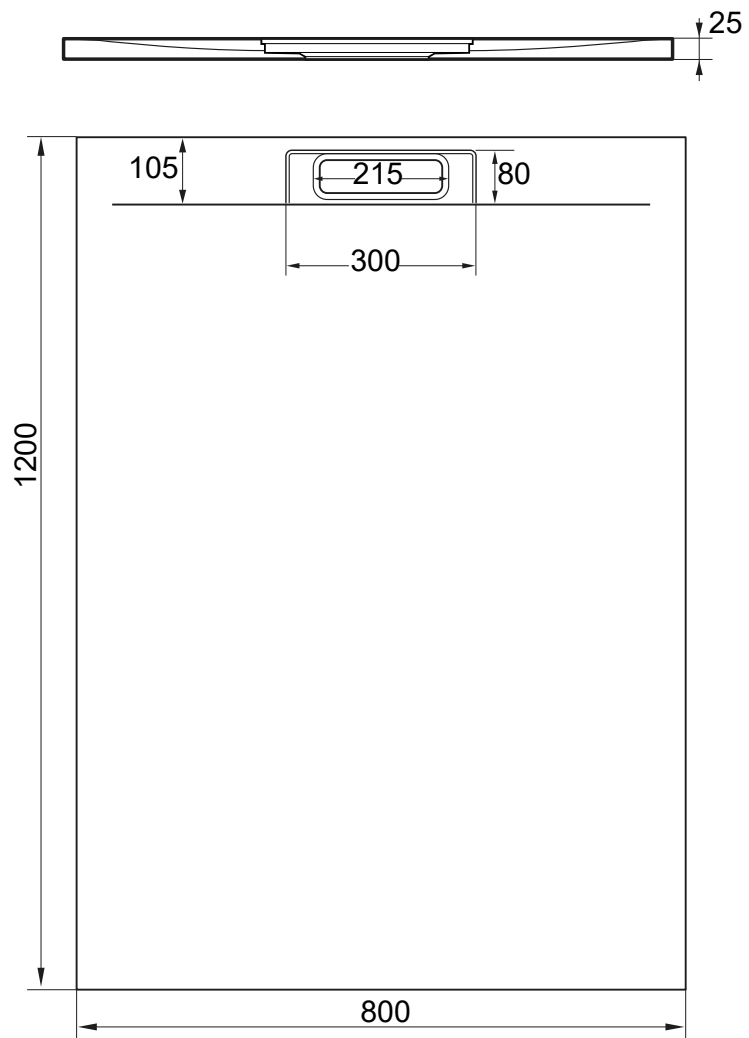
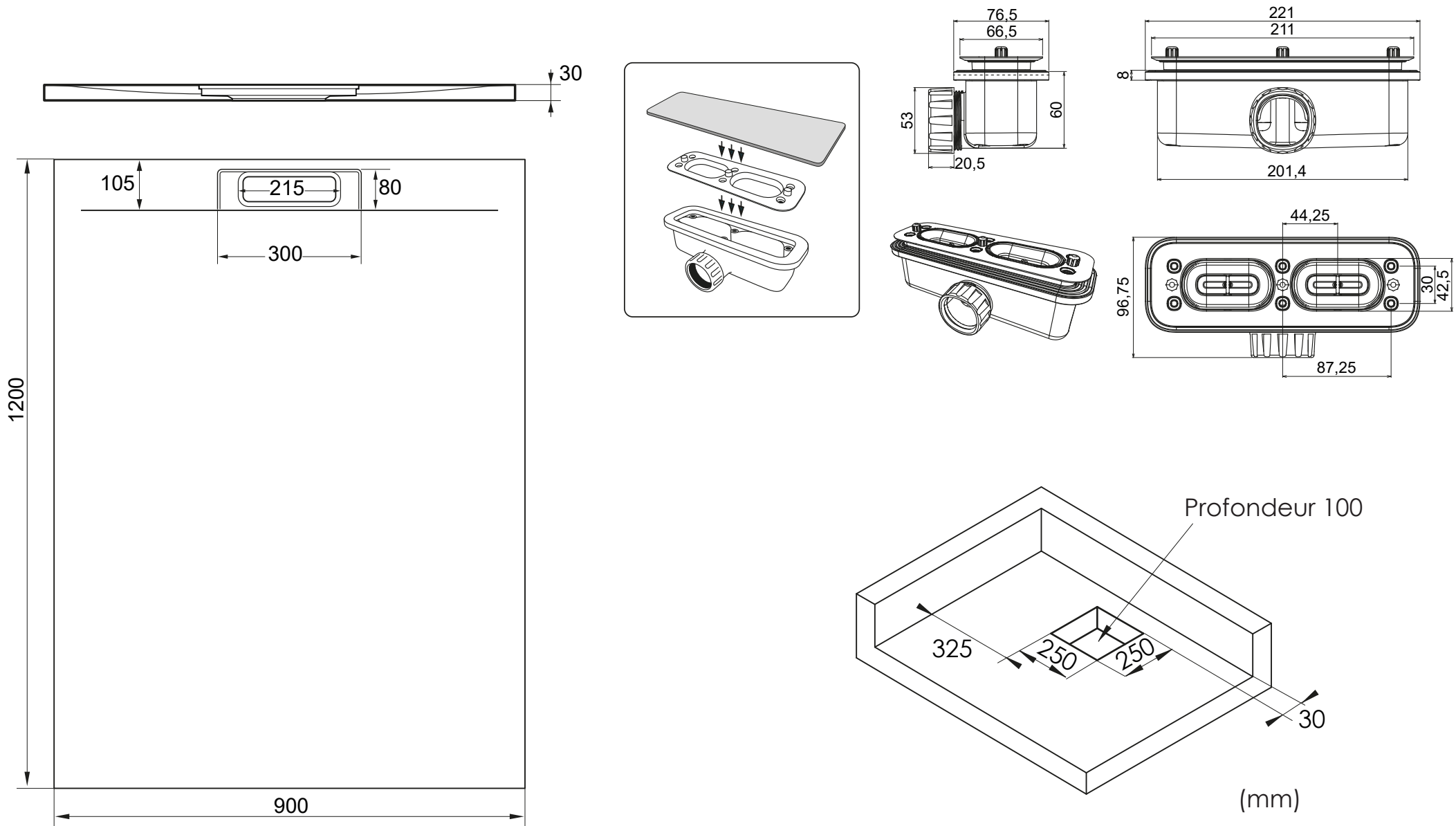


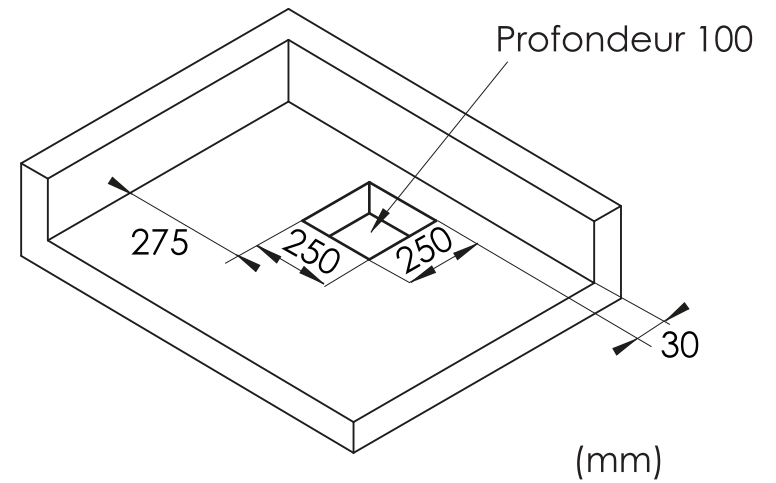
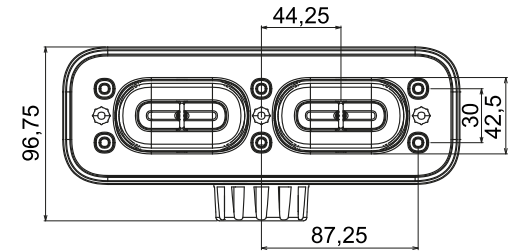
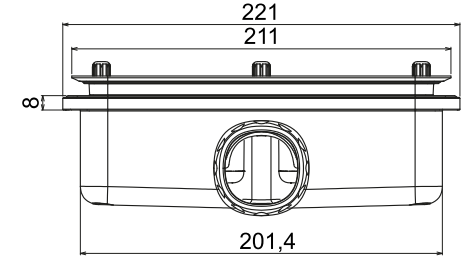
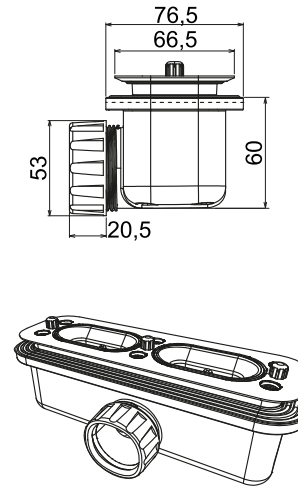
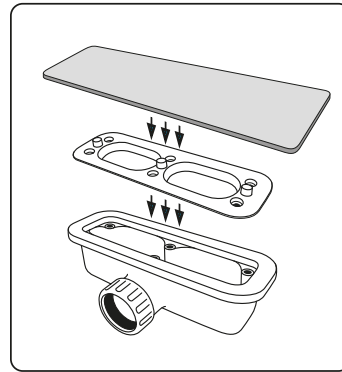
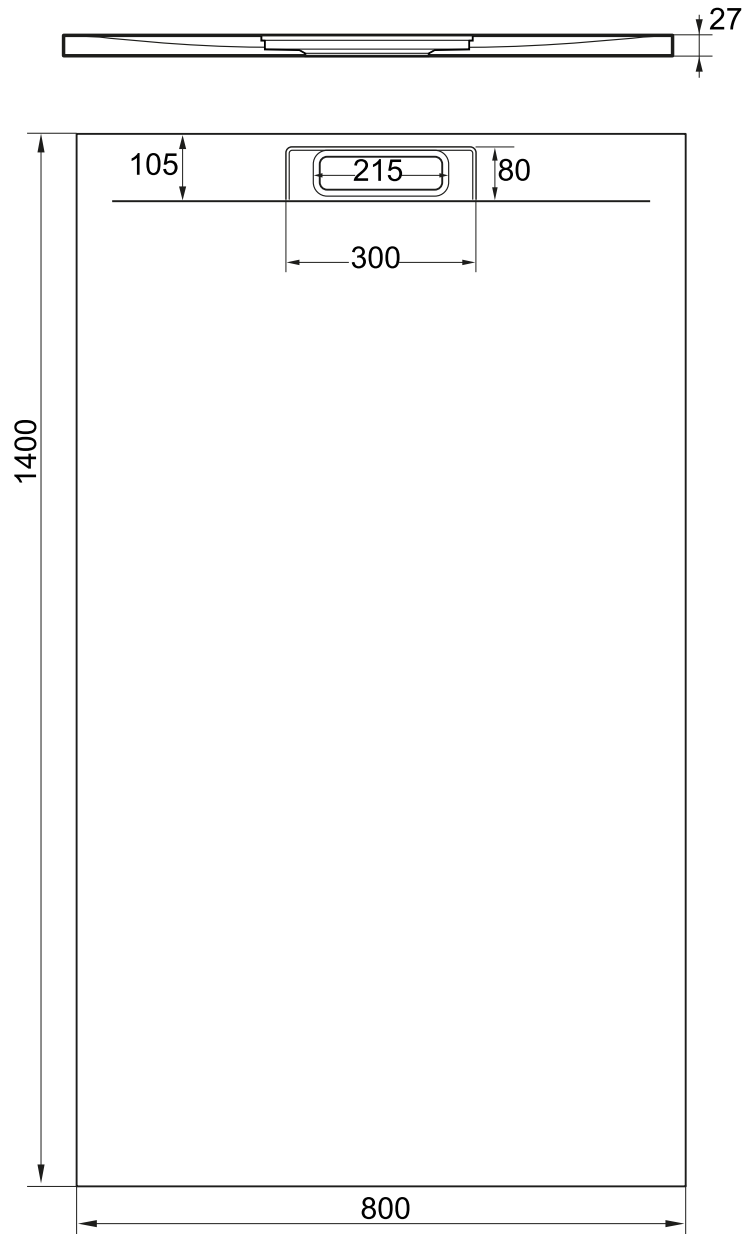
patented and registered design  
 247592-247601-247610-247619-247628-247637-247646  
 Revision : A1



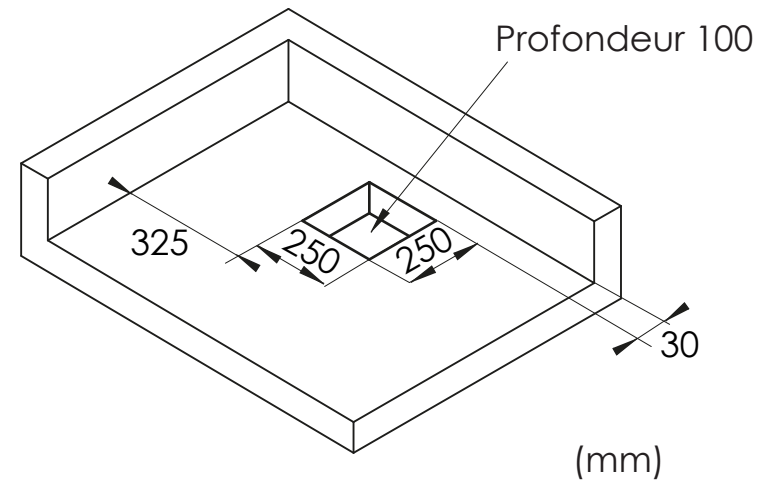
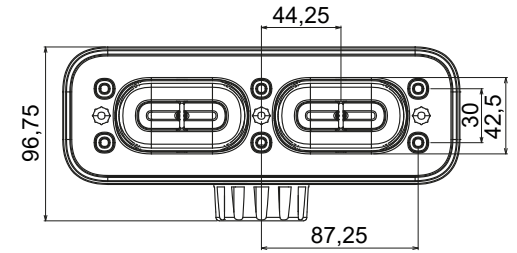
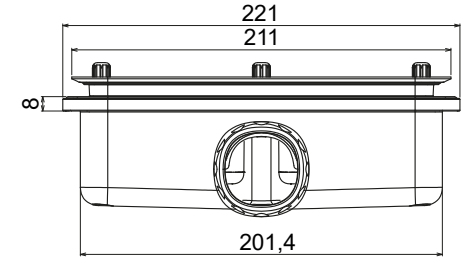
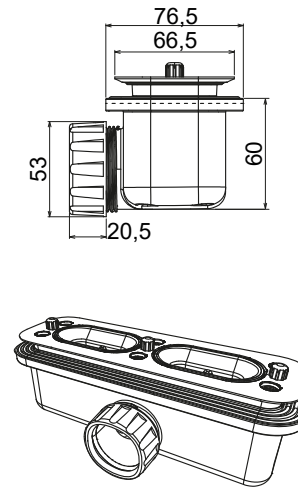
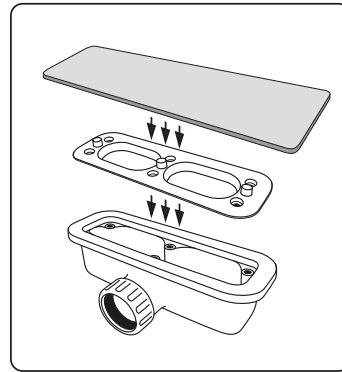
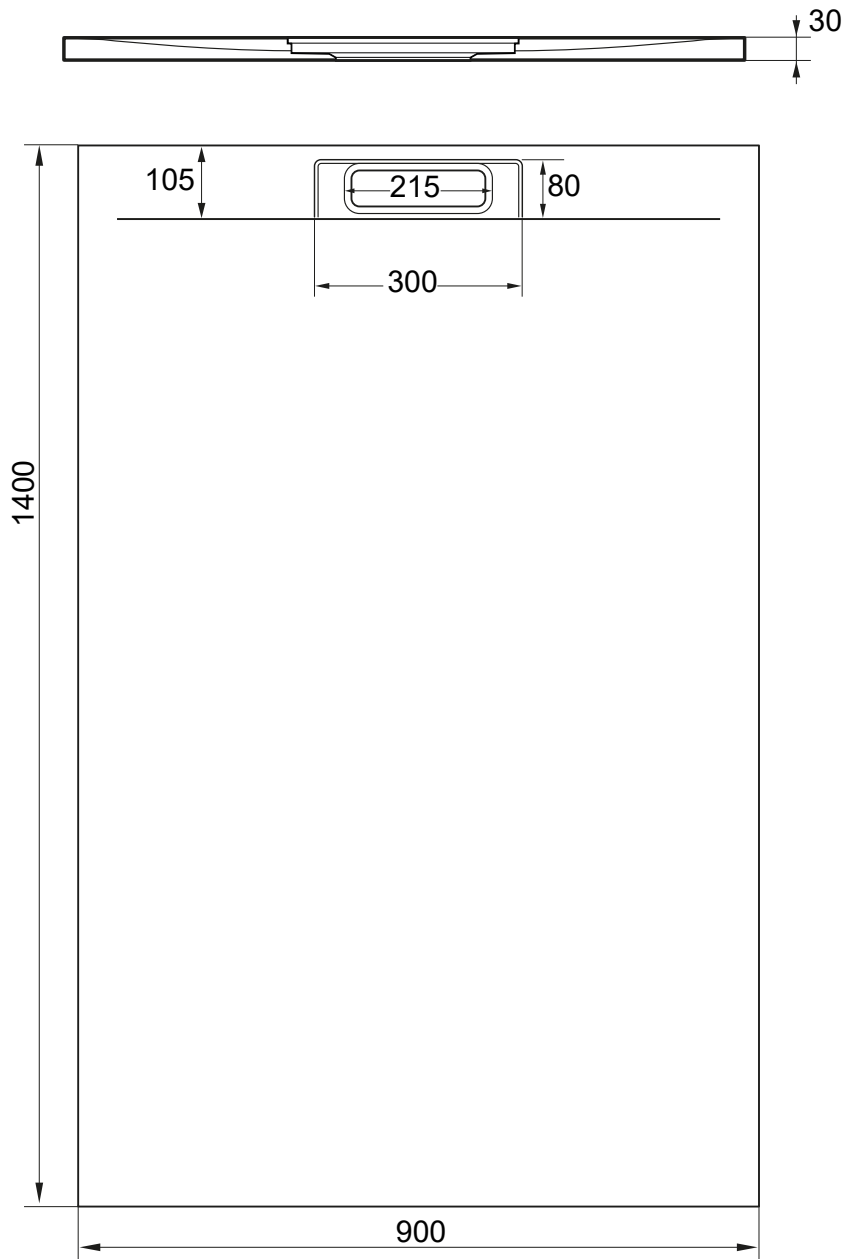
patented and registered design  
 247593-247602-247611-247620-247629-247638-247647  
 Revision : A1



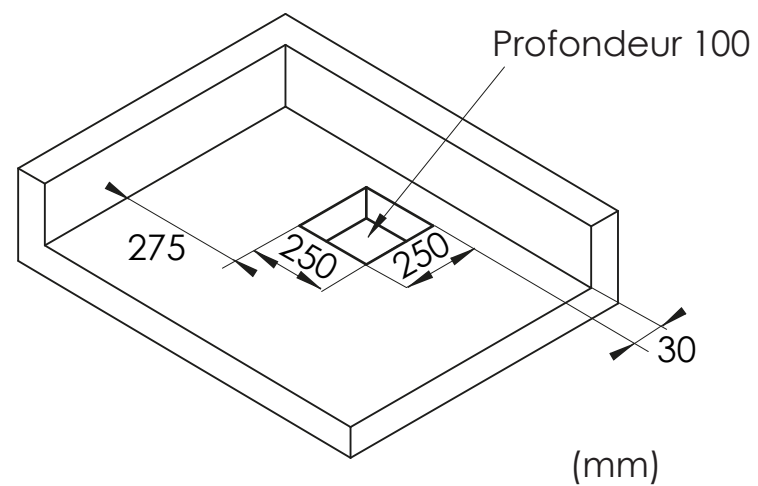
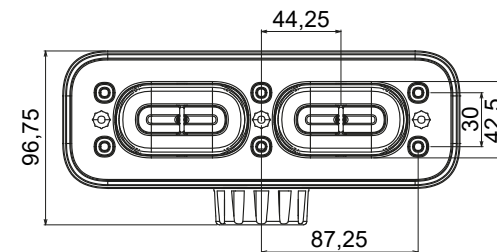
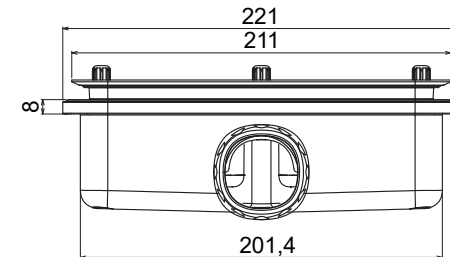
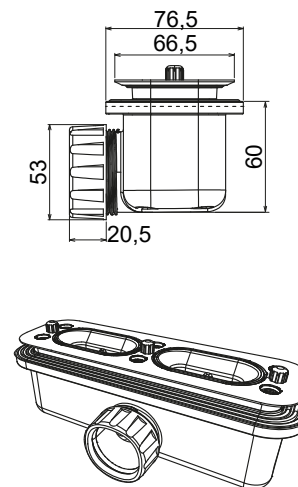
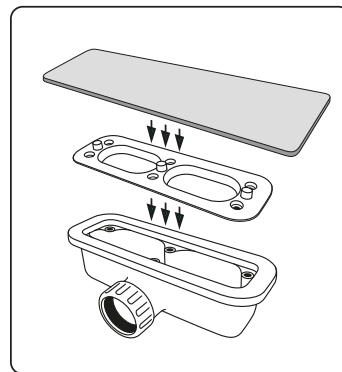
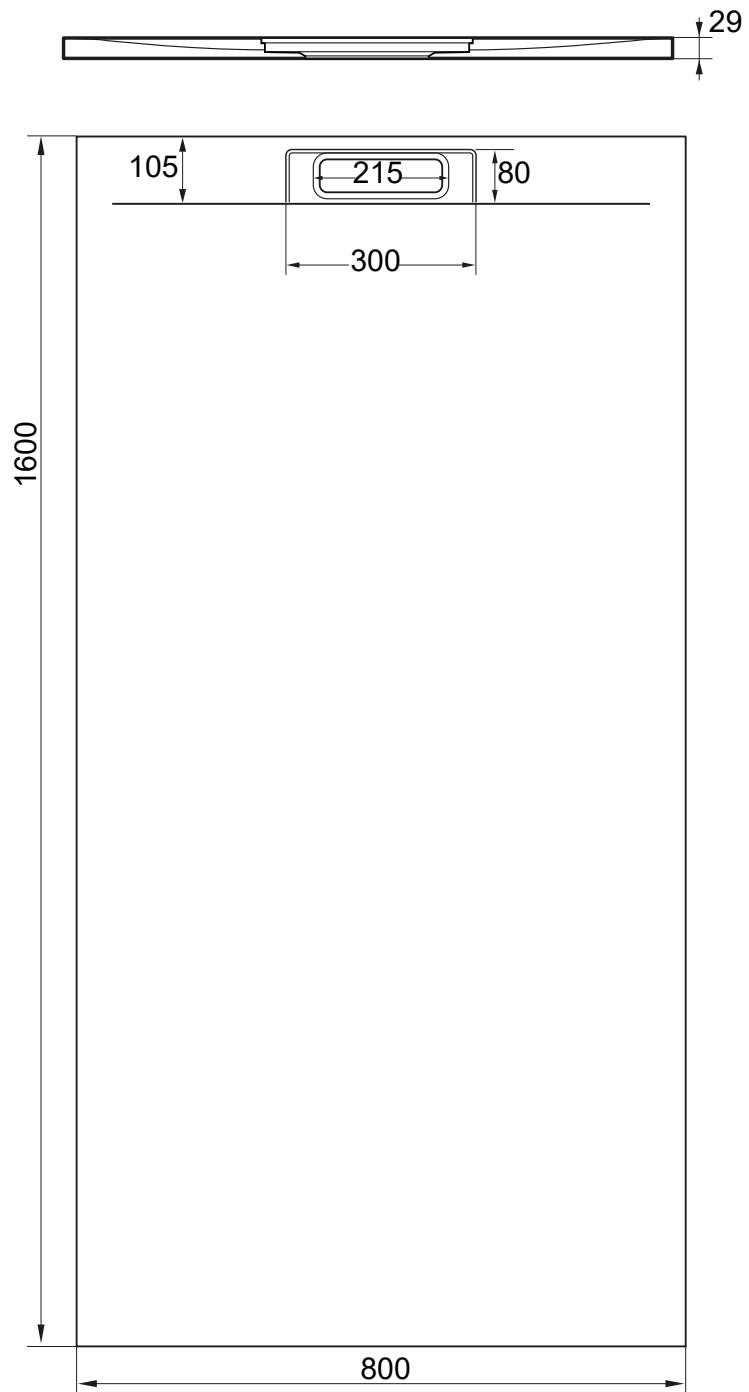
patented and registered design  
 247594-247603-247612-247621-247630-247639-247648  
 Revision : A1



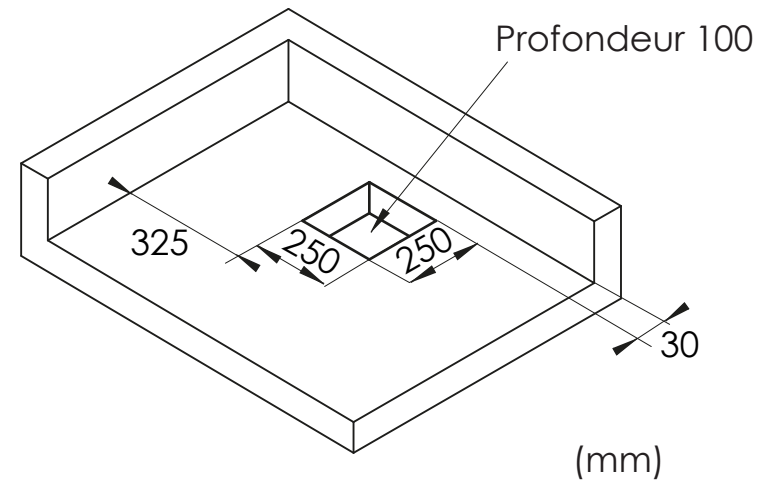
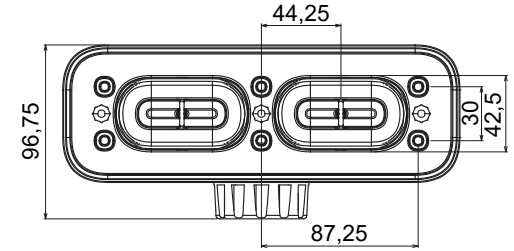
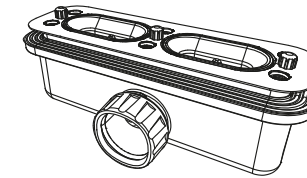
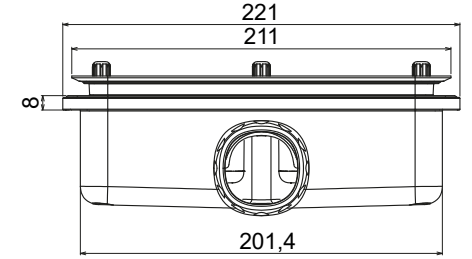
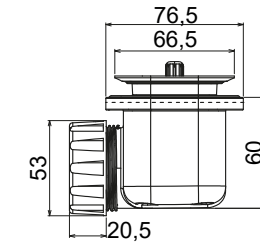
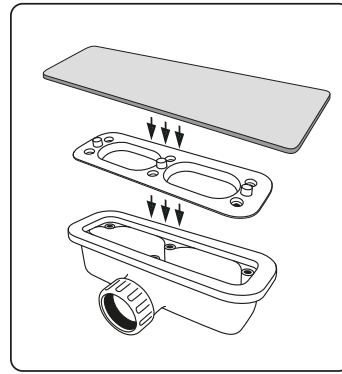
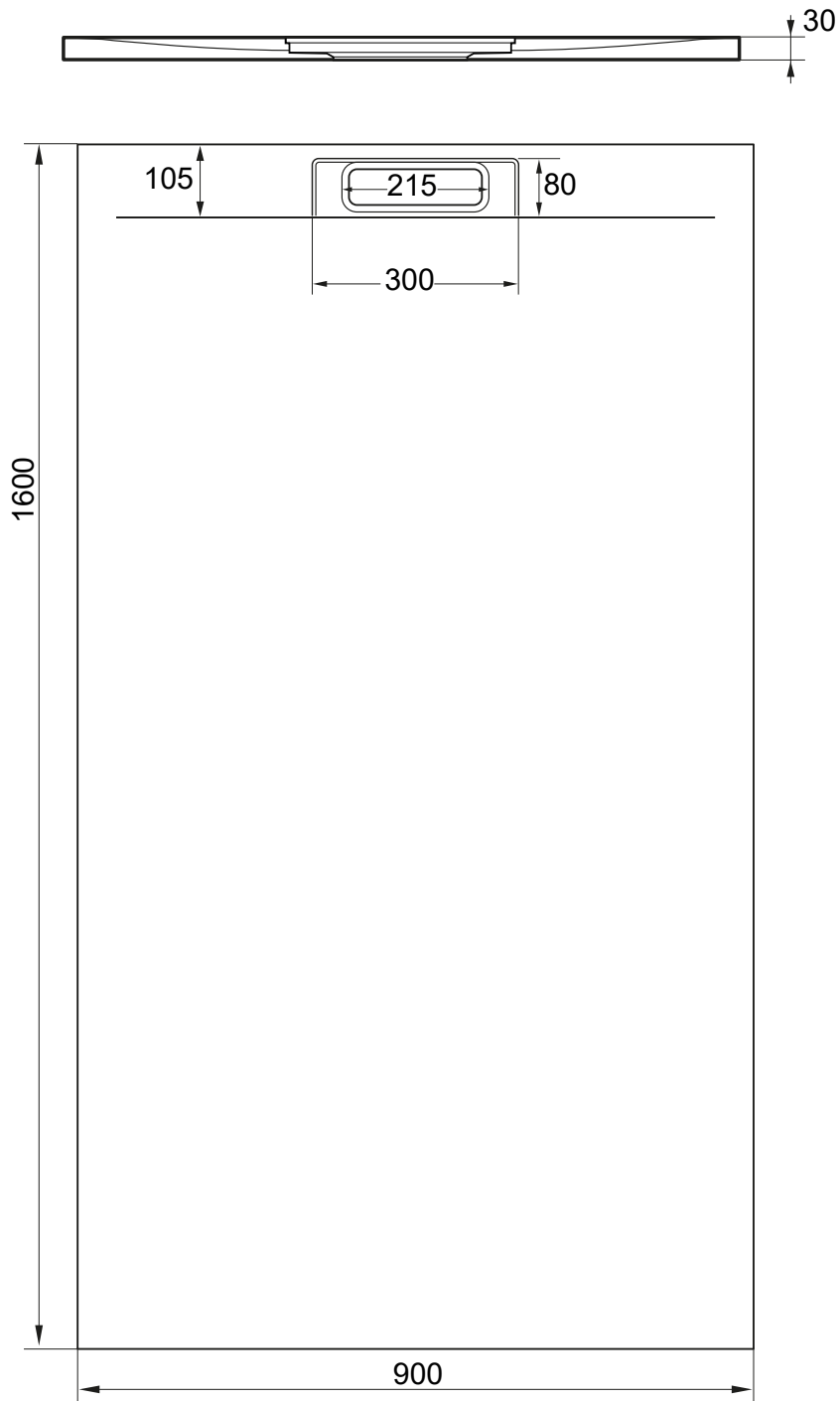
patented and registered design  
 247595-247604-247613-247622-247631-247640-247649  
 Revision : A1



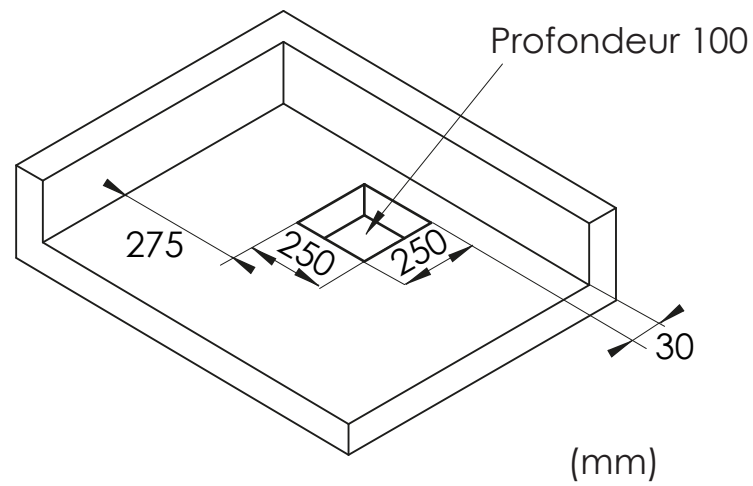
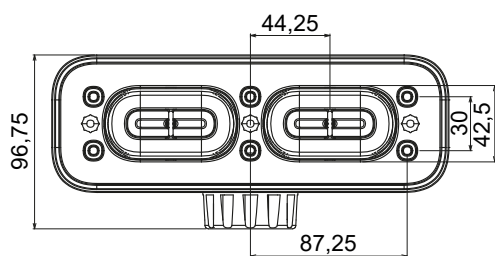
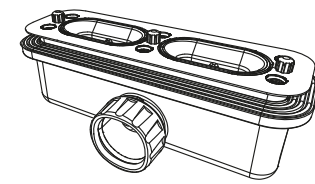
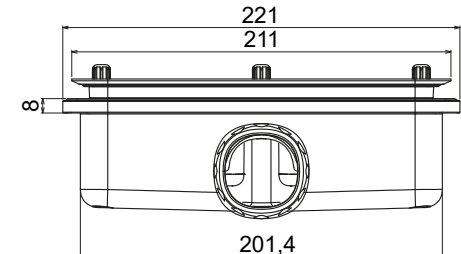
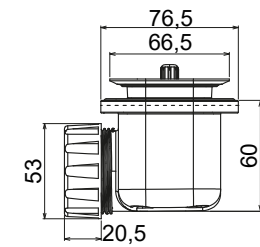
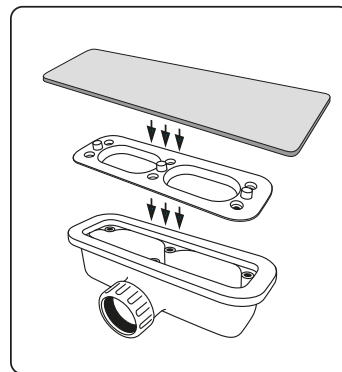
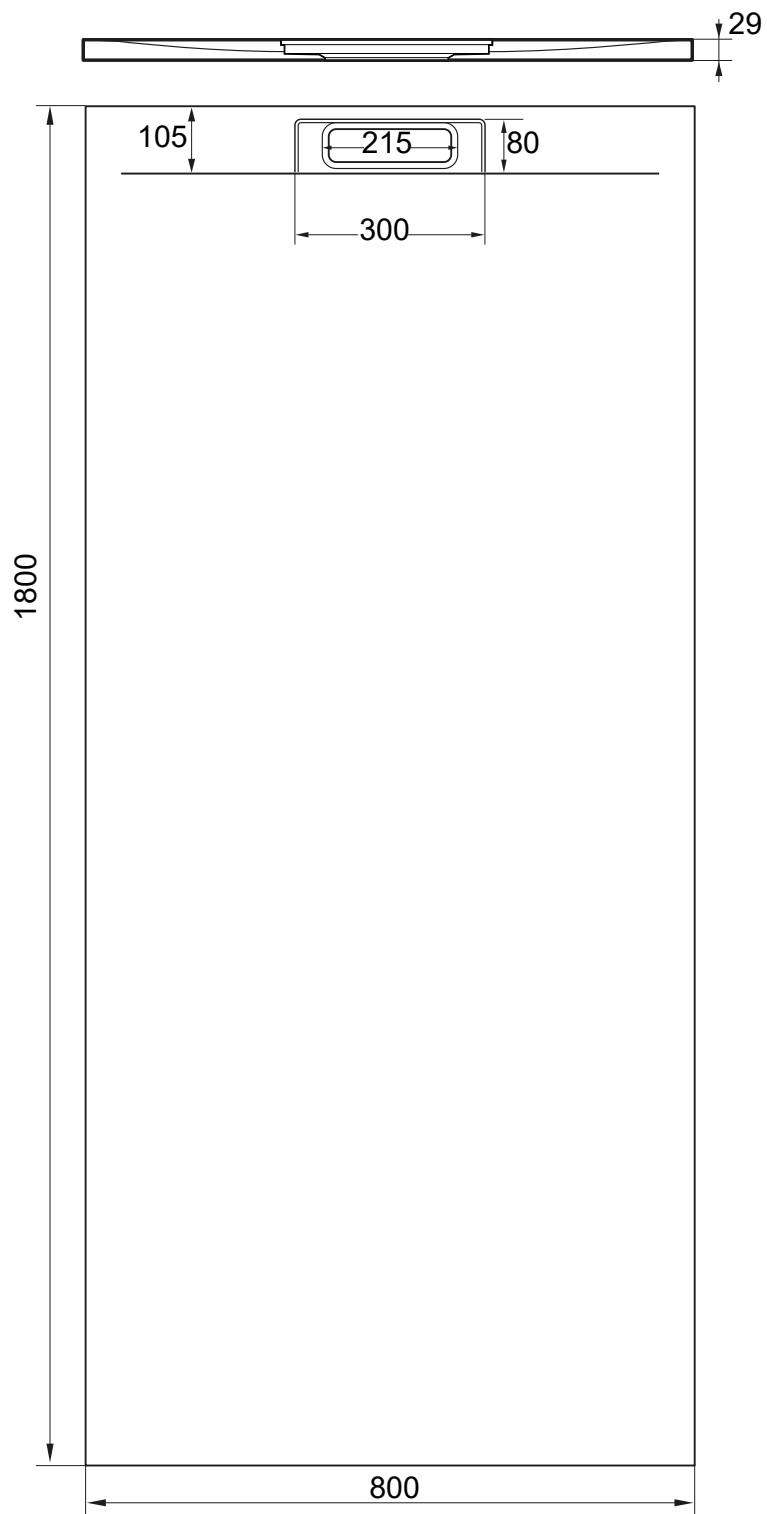
patented and registered design  
 247596-247605-247614-247623-247632-247641-247650  
 Revision : A1



patented and registered design  
 247597-247606-247615-247624-247633-247642-247651  
 Revision : A1

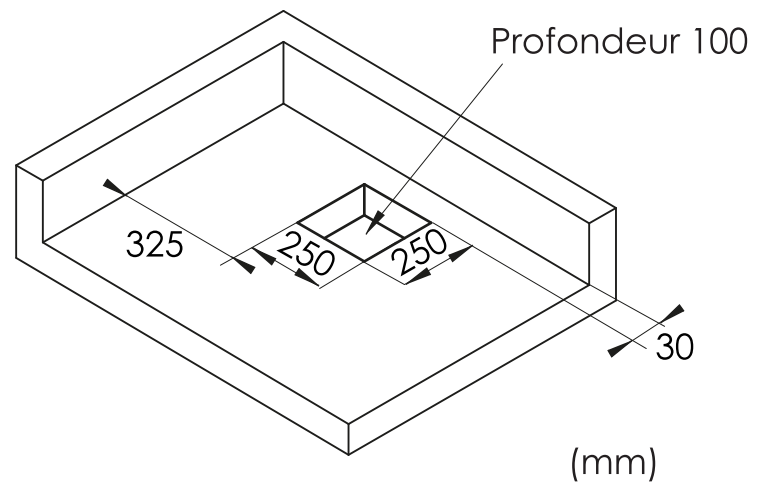
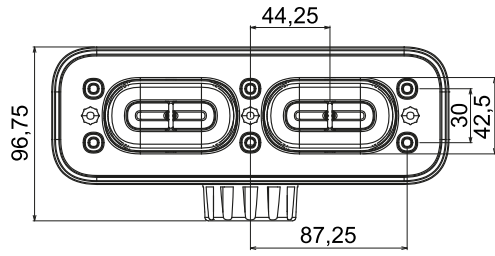
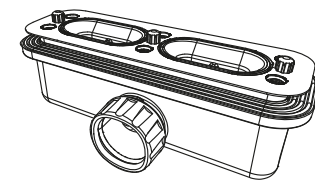
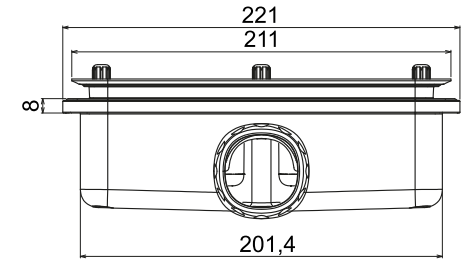
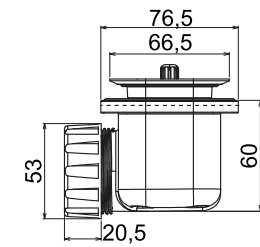
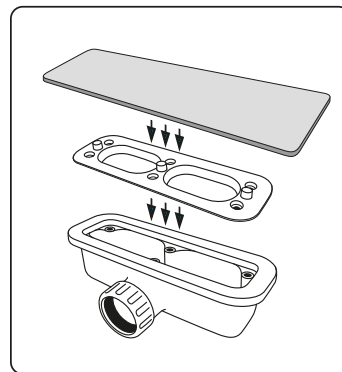
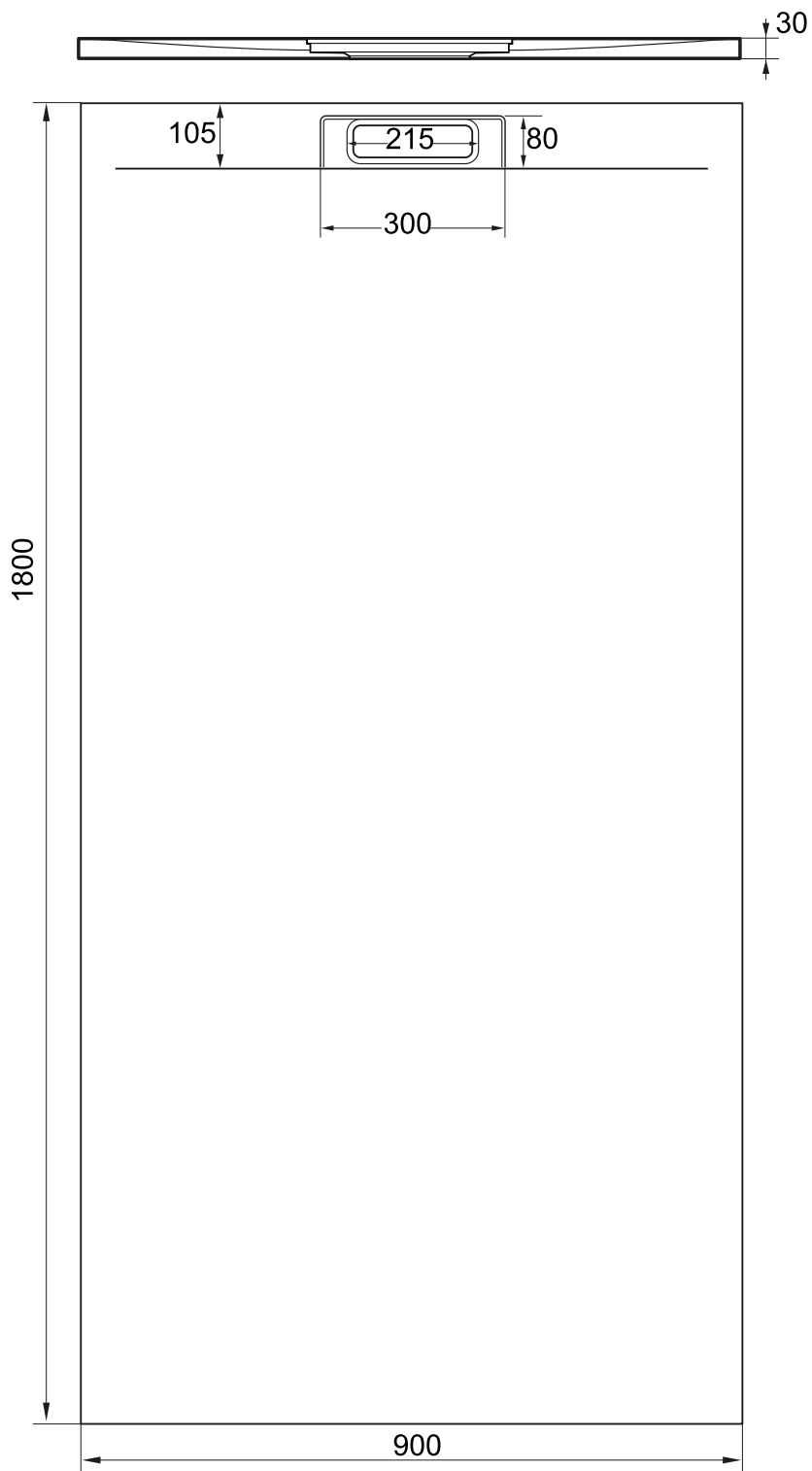


patented and registered design  
 247598-247607-247616-247625-247634-247643-247652  
 Revision : A1

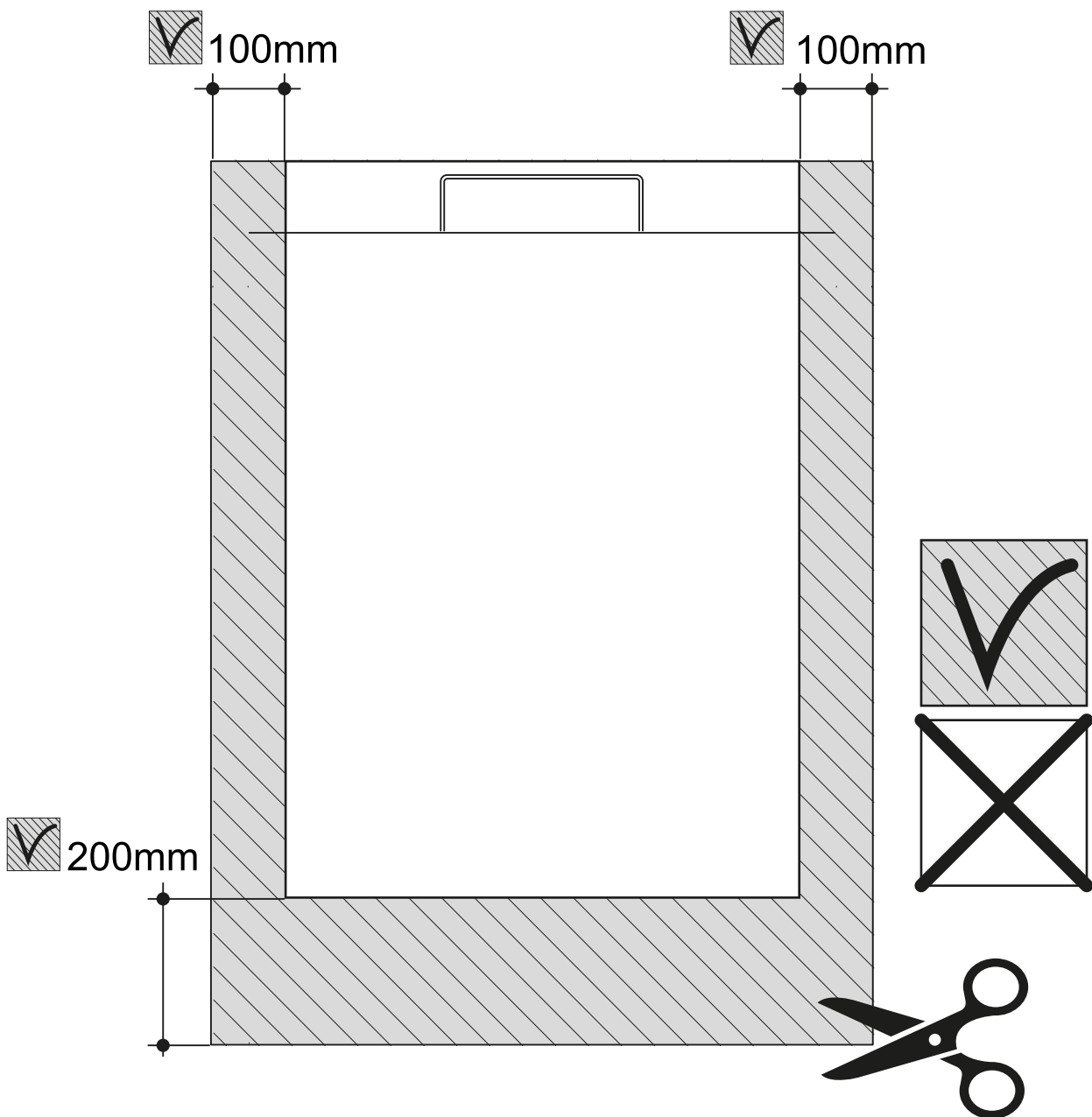


patented and registered design  
 247599-247608-247617-247626-247635-247644-247653  
 Revision : A1





patented and registered design  
 247560-247609-247618-247627-247636-247645-247654  
 Revision : A1



Zone découpe LUNA-VOLANO  
Revision : A1