

# WBS1P / WBS1PAP / WBS1PPD

## Support frame concealed cistern



### FUNCTION :

- One-piece concealed cistern : wall and floor fixing.
- Pan connector :  $\varnothing 110$  (straight or bent exit) - material PVC
- Rising tube, inlet tube, straight connector in NF Me PVC
- Device adapted to people with reduced mobility.



### DESCRIPTION :

- **Equipped cistern**
  - Float valve (acoustic class II)
  - Dual flush mechanism with cable (3/6L), locking by clipping
  - Insulating polystyrene envelope (condensation and noise reduction)

<b>WBS1P</b>	Control plate for concealed cistern sold separately	
<b>WBS1PPD</b>	Control plate for concealed cistern sold separately, for deported installation	
<b>WBS1PAP</b>	Delivered with white control plate and round boutons (réf 0709176)	

### TECHNICAL FEATURES :

#### • Dimensions

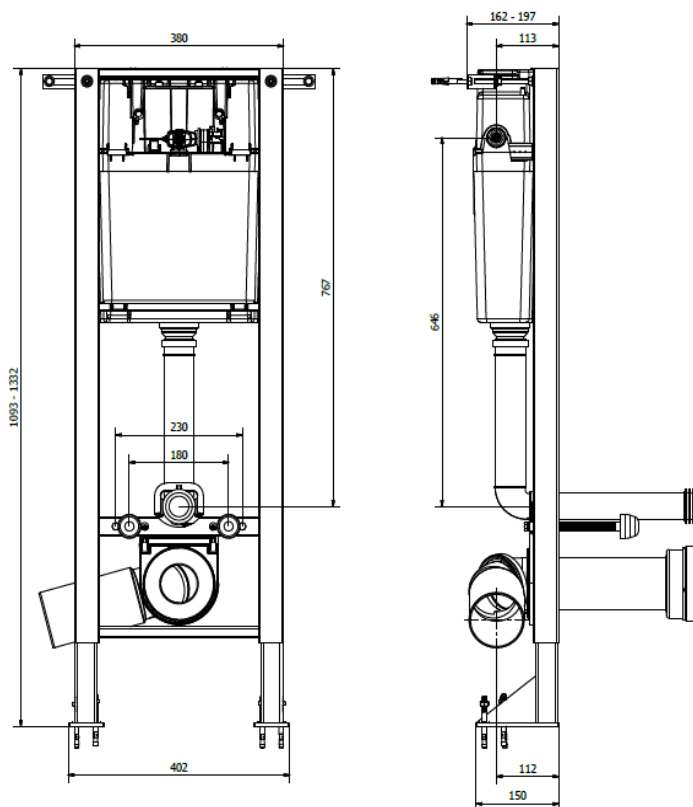
Overall height	1093 to 1332 mm
Width	380 mm
Depth	162 to 197 mm
Maximal screed height / WC-bowl at standard height 400 mm	213 mm
Maximal screed height / WC-bowl at the height of 450 mm (people with reduced mobility)	163 mm
Length of the inlet tube and pan connector	300 mm
Length of the thread stems to hang the pan	250 mm
Thickness of the wall	15 to 70 mm

#### • Materials

Frame : steel with epoxy paint

Cistern : polypropylene

- **Packaging** : parcel of 16 Kg



November 2018



Siège Social : 37, rue Pierre & Marie Curie  
BP 10966 - 49309 Cholet Cedex  
Téléphone : 33 (0)2 41 63 73 25  
Fax : +33 (0)2 41 63 73 23  
Email: tech-com.nicoll@alixis.com

an Aliaxis company

## WBS1P / WBS1PAP / WBS1PPD Support frame concealed cistern



### IMPLEMENTATION:

- Compatible with low mobility people specific bowl
- Water inlet (G3/8' ) inside cistern (possible on both side)

**WARNING:** If Hollow wall, it need specific reinforcement plate besides traditional bowl fixation parts (see article number **WPRBAT**)

### CERTIFICATION:

Components are certified



**Loading test following NF D12-208 (400 Kg)**

**Corrosion resistance following NF D12-208 (200h)**

### MAINTENANCE:

- Cistern access in technical duct on the top, or front face (removable operating plate)
- Cistern: apply anti-scaling treatment regularly, depending on water hardness
- Spare parts: available 10 years

Février 2018



*Nicoll*

Siège Social : 37, rue Pierre & Marie Curie  
BP 10966 - 49309 Cholet Cedex  
Téléphone : 33 (0)2 41 63 73 25  
Fax : +33 (0)2 41 63 73 23  
Email: [tech-com.nicoll@alixis.com](mailto:tech-com.nicoll@alixis.com)

an *Aliaxis* company